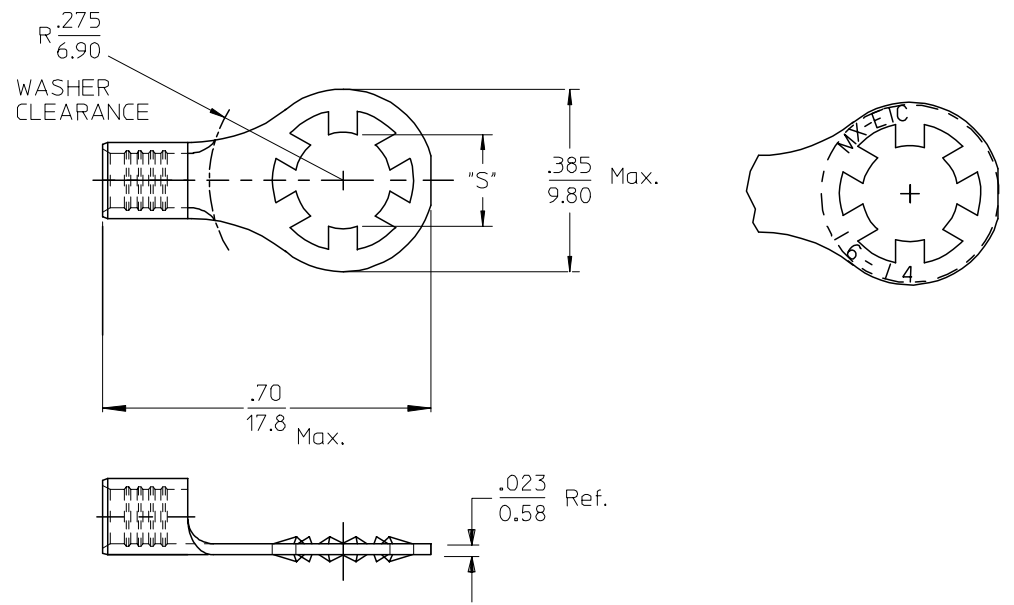


MATERIAL NO.	ENG. NO.	STUD SIZE	"S" DIA.
190740015	SRB-129-06	6	.146
190740017	SRB-129-08	8	.173
190740019	SRB-129-10	10	.198



MATERIAL: BRASS
FINISH: ELECTRO-TIN PLATING

INITIAL RELEASE
EC NO: ETC2006-0358
DRWN: JSCHOOLEY 2006/04/10
CHKDR: DEROSS 2006/04/12
APPR: RDEROSS 2006/04/13

REV	DESCRIPTION
A	

	QUALITY SYMBOLS	
		$\nabla=0$
		$\nabla=0$
GENERAL TOLERANCES (UNLESS SPECIFIED)		
	mm	INCH
4 PLACES	± .005	± .0005
3 PLACES	± .005	± .0005
2 PLACES	± 0.13	± .01
1 PLACE	± 0.25	± .01
ANGULAR ±1/2°		
DRAFT WHERE APPLICABLE MUST REMAIN WITHIN DIMENSIONS		

DIMENSION STYLE	
IN	MM
DRAWN BY	DATE
JBS	2006/04/05
CHECKED BY	DATE
R DEROSS	2006/04/05
APPROVED BY	DATE
R DEROSS	2006/04/05
MATERIAL NO.	DATE
SEE CHART	

SCALE	DESIGN UNITS	THIRD ANGLE PROJECTION
4:1	INCH	
TITLE		
LOCKING RING TONGUE TERMINAL 16-14 AWG		
APPROVED BY		
MOLEX INCORPORATED		
MATERIAL NO.	DOCUMENT NO.	SHEET NO.
SEE CHART	SD-19074-001	1 OF 1
THIS DRAWING CONTAINS INFORMATION THAT IS PROPRIETARY TO MOLEX INCORPORATED AND SHOULD NOT BE USED WITHOUT WRITTEN PERMISSION		