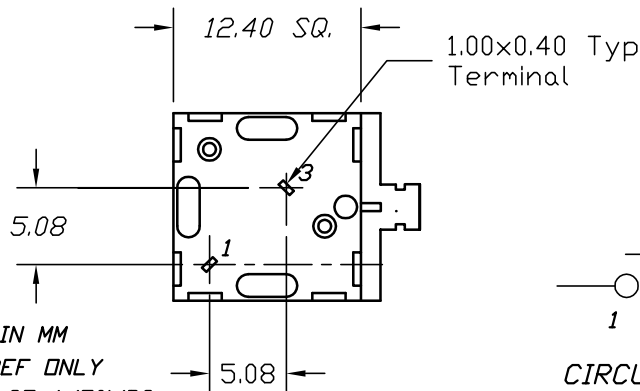
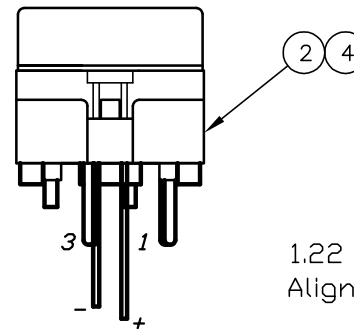
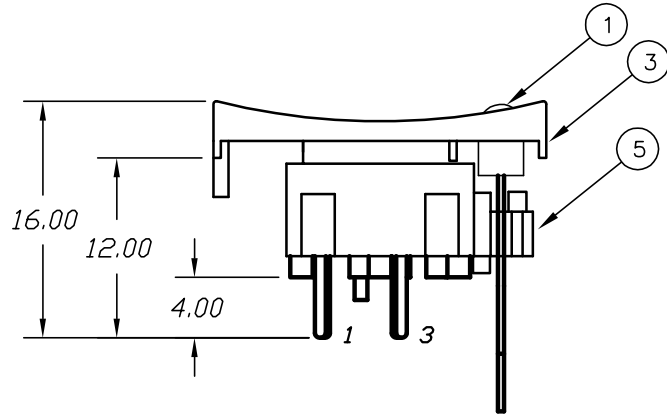
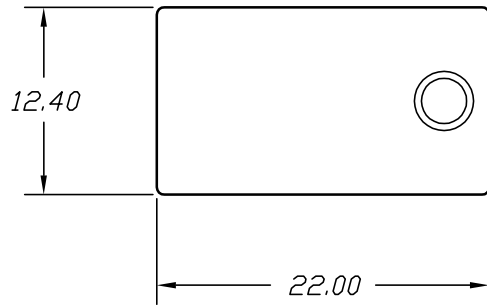
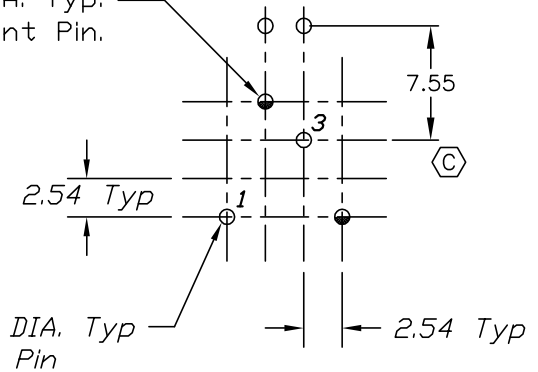


| Item | Qty. | Dwg. No. | Part No. |
|------|------|----------|------------------|
| 1 | 1 | D062006 | GRN LED |
| 2 | 1 | B01ME11 | 320 E1-1 BODY |
| 3 | 1 | B042000 | 320.2 CAP BLK |
| 4 | 1 | B050001 | 320 E1-1 CONTACT |
| 5 | 1 | B070001 | 320.2 LED HOLDER |



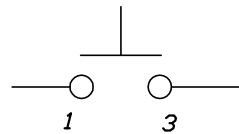
1.22 DIA. Typ.
Alignment Pin.



RECOMMEND P.C.B LAYOUT

NOTES:

1. ALL DIMENSIONS IN MM
2. TERM. NOS. FOR REF ONLY
3. CONTACT RATING: 25mA/50VDC
4. TRAVEL: .7mm (.028")
5. OPERATING FORCE: 120gf



CIRCUIT: SPST
CONTACT CONFIGURATION

| REV. | ECN No. | DESCRIPTION | DATE | CHKD |
|------|---------|-------------------------|---------|------|
| C | 14159 | ADD LED HOLES | 7/12/04 | AR |
| B | 14108 | REMOVE TEXT | 6/21/04 | AR |
| A | 11352 | RELEASED FOR PRODUCTION | 9/26/01 | CJC |

THE INFORMATION CONTAINED IN THIS DOCUMENT IS PROPRIETARY TO E-SWITCH AND IS NOT TO BE COPIED OR TRANSFERRED

E-SWITCH®

| | | | | |
|--------------------------|---------|-----|---------|-----|
| TITLE | | | | |
| 320.2 E1-1 BLK W/GRN LED | | | | |
| SCALE | DATE | DR | DWG | REV |
| 2:1 | 9/26/01 | CJC | XB0867A | C |