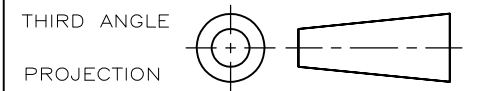
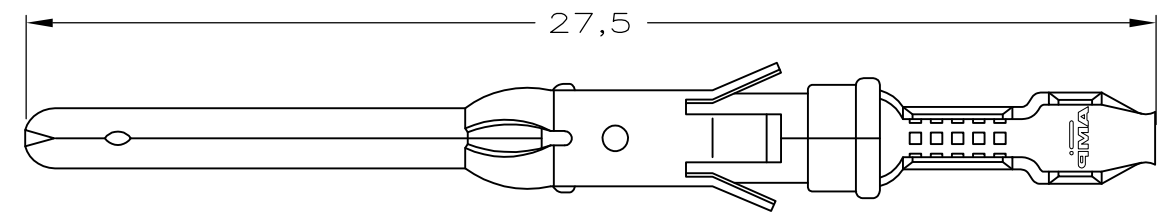
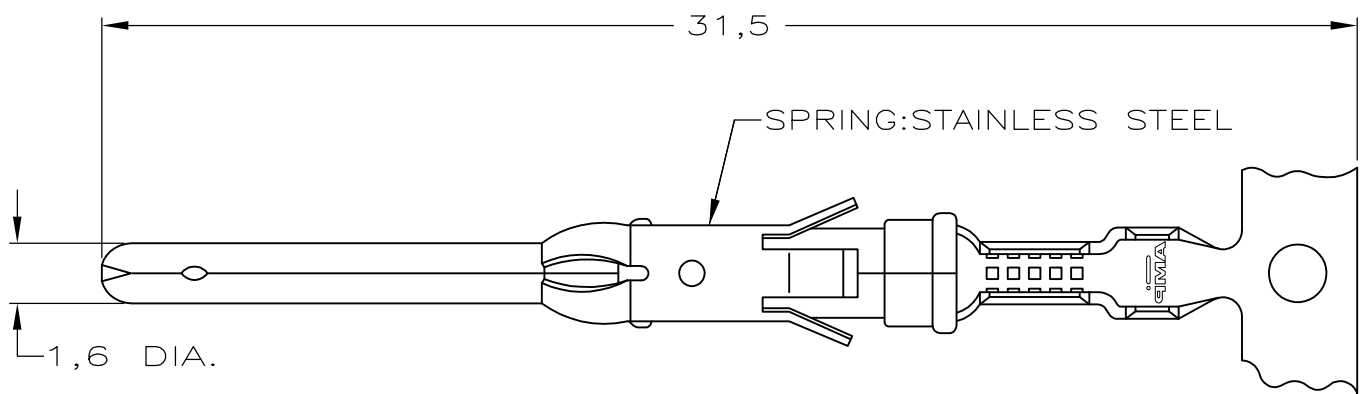


DO NOT SCALE
DIMENSIONS IN mm

METRIC

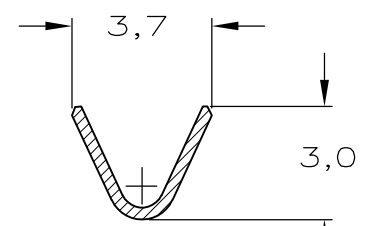
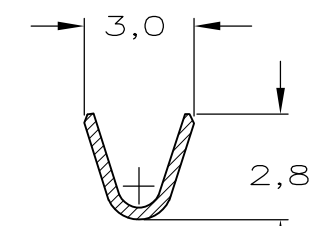
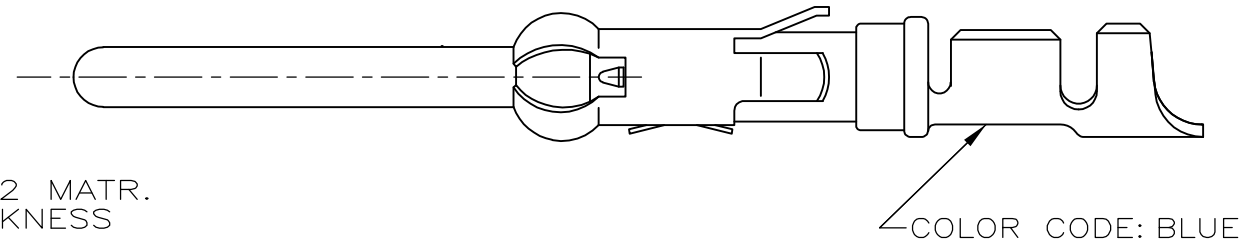
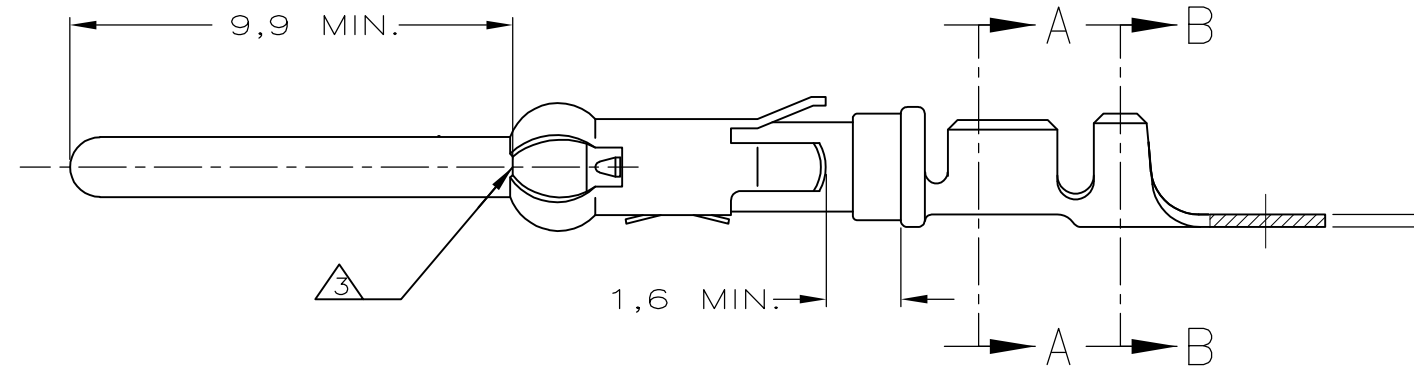


REVISIONS					
P	LTR	DESCRIPTION	DATE	DWN	APVD
	G1	REVISED PER ECO-09-020689	24AUG09	KK	AEG



STRIP

LOOSE-PIECE



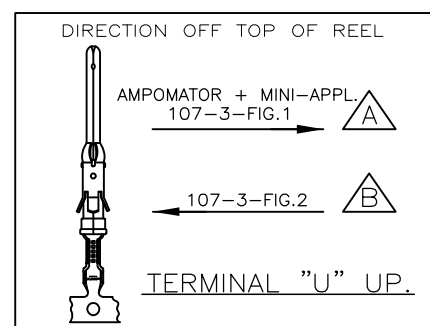
SECTION A-A

SECTION B-B

WIRE RANGE : 0,75-1,50 mm² (18-16 AWG)
INSUL. RANGE : 2,0 -2,5 mm (.080-.100)

NOTES :

- FOR CRIMPDETAILS SEE AMP-SPEC. 114-19.000 .
- MEETS PRODUCTSPECIFICATION 108-10042.
- 0,40 MAX. GAP BETWEEN SPRING-NOSE AND CONTACT BODY.
- OBsolete PARTS: OBSOLETE CIS STREAMLINING PER D.RENAUD/D.SINISI



PARTNUMBER	DIRECTION OF REEL	LOOSE-PIECE	MATERIAL	PLATING
163766-5	A		PH.BRONZE	EL.TIN
163766-4	A	164839-4	PH.BRONZE	ECON.GOLD
163766-3	A	164839-3	PH.BRONZE	SILVER
163766-2	A	164839-2	PH.BRONZE	SEL.GOLD
163766-1	A	164839-1	PH.BRONZE	EL.TIN

CUSTOMER DRAWING



AMP-HOLLAND B.V.
's-Hertogenbosch, The Netherlands.

FOR REFERENCE ONLY
WILL NOT BE UPDATED

THIS DRAWING IS UNPUBLISHED RELEASED FOR PUBLICATION AUG. ,1987
© COPYRIGHT 19 87 BY AMP-HOLLAND B.V.
ALL INTERNATIONAL RIGHTS RESERVED.
AMP PRODUCTS MAY BE COVERED BY U.S. AND FOREIGN PATENTS AND/OR PATENTS PENDING.

NOTES	MATERIAL	THICKNESS	AREA
20	TIN	2,0 μm	ALL OVER
21	NICKEL GOLD TIN/LEAD	0,8 μm	ALL OVER CONTACT AREA BARREL
22	NICKEL GOLD GOLD	0,8 μm	ALL OVER CONTACT AREA ALL OVER
23	NICKEL GOLD GOLD	1,2 μm	ALL OVER CONTACT AREA ALL OVER
27	NICKEL SILVER TIN/LEAD	2,5 μm	ALL OVER CONTACT AREA BARREL
28	SILVER	0,5 μm	ALL OVER
29	SILVER	2,5 μm	ALL OVER

DR. L.V.D.HEYDEN	DATE 19.08.1987
CHK. P.V.D.HAGEN	DATE
APP. L.V.SOEST	DATE

WIRE RANGE	NAME	REV.DATE
-	PIN TYPE III CONTACT	D M Y
INSUL.RANGE	SIZE 16	20 09 88
SIZE A3	SHEET 1 OF 1	REV.LTR. G1
DWG. No. 163766		

8 7 6 5 4 3 2 1