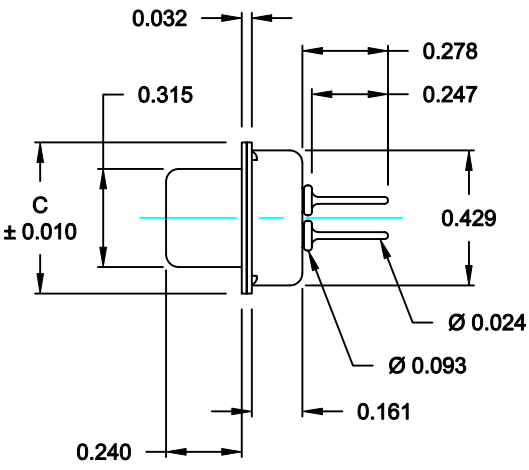
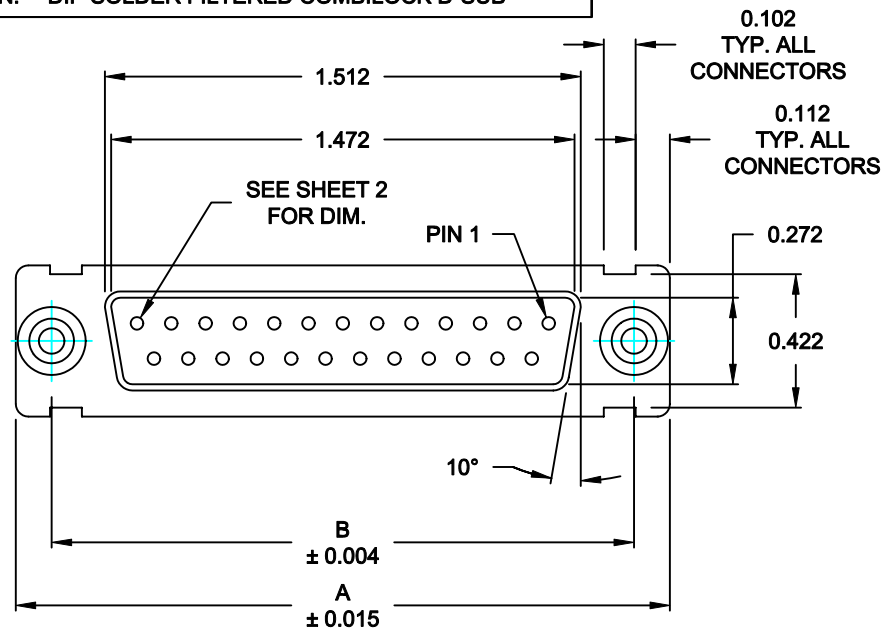


DESCRIPTION: DIP SOLDER FILTERED COMBILOCK D-SUB

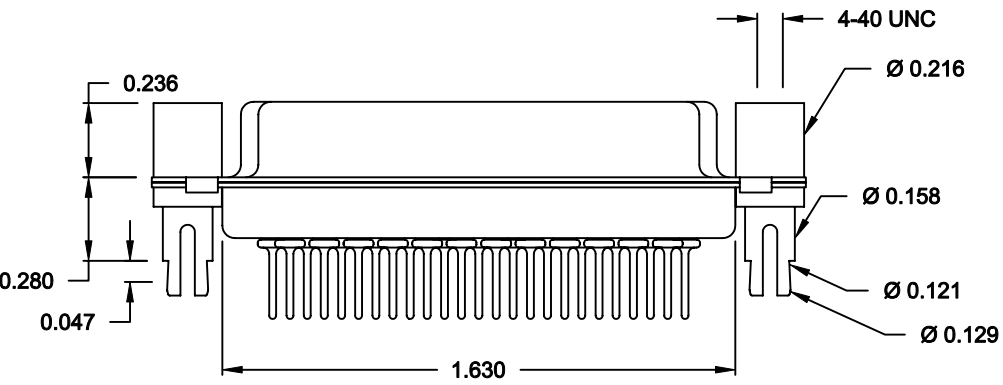
DIMENSIONS (IN.)			
No. OF PINS	A	B	C
9	1.204	0.984	0.480
15	1.535	1.312	0.480
25	2.078	1.850	0.480
37	2.724	2.500	0.480
50	2.622	2.405	0.598



COMBILOCK NOT SHOWN FOR CLARITY

477-YYY-212RYY1

SERIES
POSITIONS
009
015
025
037
050
GENDER
1 = MALE
2 = FEMALE
TERMINATION
1 = VERTICAL DIP SOLDER
SHELL PLATING
2 = TIN
HARDWARE OPTIONS
00 = NO HARDWARE
31 = COMBILOCK
PLATION OPTIONS
1 = GOLD FLASH



SPECIFICATIONS:

MATERIALS:

SHELL: STEEL, TIN PLATED
INSULATOR: UL 94V-0 RATED PBTP
GLASS-FIBER REINFORCED

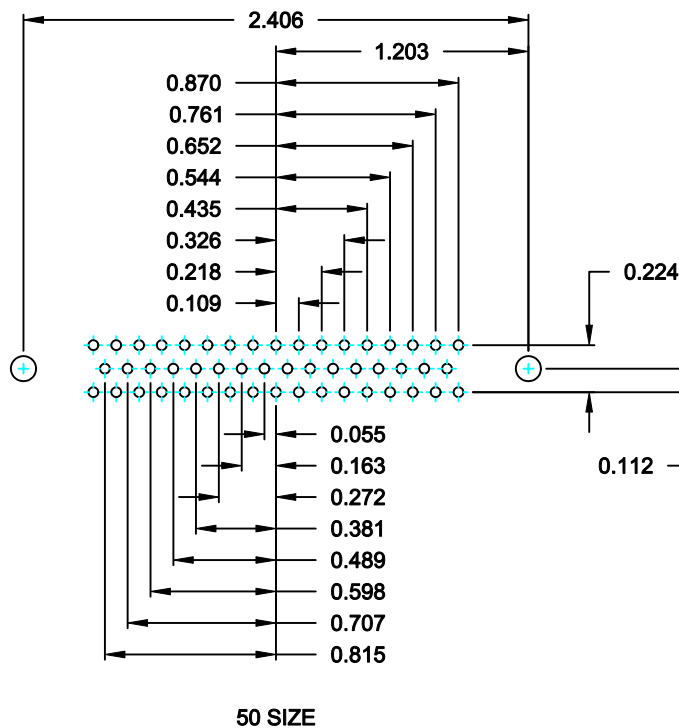
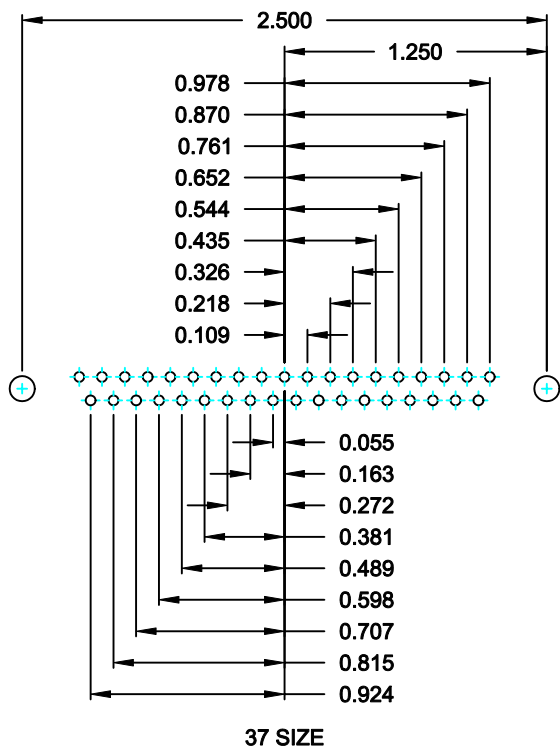
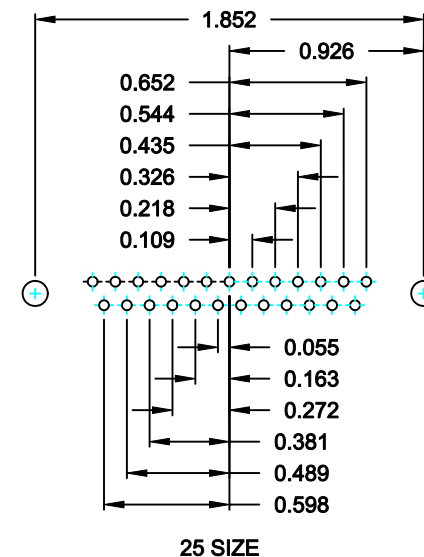
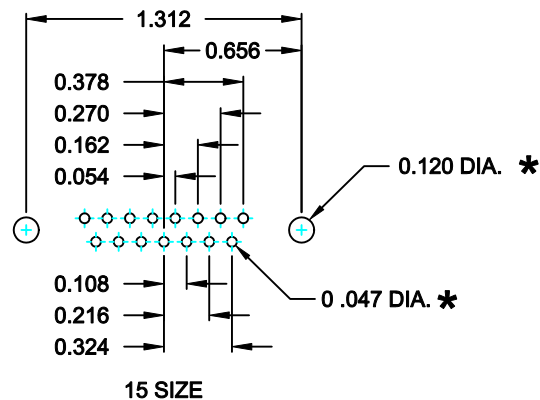
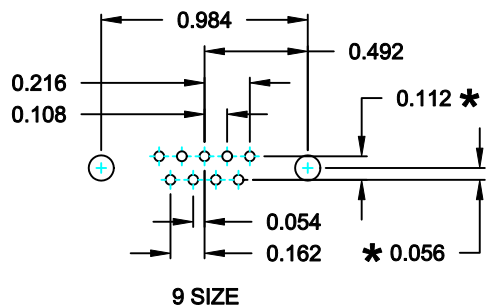
ELECTRICALS:

INDIVIDUAL CAPACITOR VALUE = 1000 pF
OTHER VALUES AVAILABLE: CONSULT FACTORY
CURRENT RATING: 5 AMPS
CONTACT RESISTANCE: <10 mOHMS
INSULATOR RESISTANCE: 1000 OHMS
VOLTAGE: 1 KV / AC
TEMPERATURE: -55°C TO +125°C


RoHS COMPLIANT

	THESE DRAWINGS AND SPECIFICATIONS ARE THE PROPERTY OF NorComp AND SHALL NOT BE REPRODUCED, COPIED OR USED AS THE BASIS FOR THE MANUFACTURE OF APPARATUS WITHOUT WRITTEN PERMISSION.		DRAWN: C. SMITH	DATE: 10-02-06
			CHECKED: X	DATE: X
NorComp		SCALE: N.T.S.	SHEET 1	OF 2
		DWG. NO. 477-YYY-212RYY1		

DESCRIPTION: DIP SOLDER FILTERED PCB LAYOUT



*** TYP. ON ALL PATTERNS**

	THESE DRAWINGS AND SPECIFICATIONS ARE THE PROPERTY OF NorComp AND SHALL NOT BE REPRODUCED, COPIED OR USED AS THE BASIS FOR THE MANUFACTURE OF SALE OF APPARATUS WITHOUT WRITTEN PERMISSION.		DRAWN: C. SMITH	DATE: 10-03-06
			CHECKED: X	DATE: X
NorComp		SCALE: FULL	SHEET 2 OF 2	REV 1
		DWG NO. 477-YYY-212RYY1		