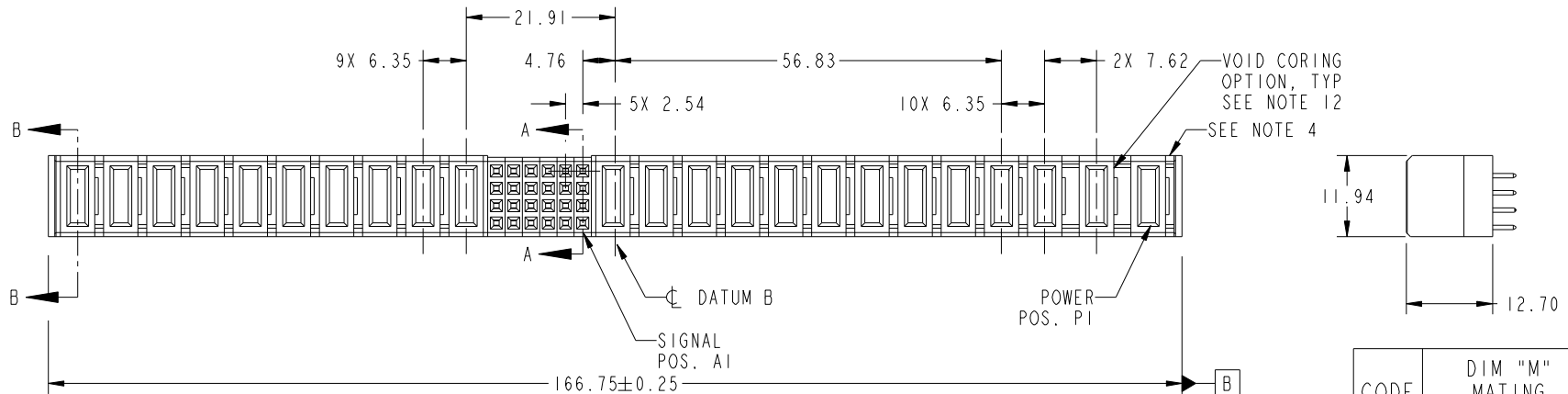


PRODUCT NO.	ROWS	POWER										SIGNAL					POWER													
		P23	P22	P21	P20	P19	P18	P17	P16	P15	P14	6	5	4	3	2	1	P13	P12	P11	P10	P9	P8	P7	P6	P5	P4	P3	P2	P1
51940-461-- NOTE: 3	D C B A	PA	PA	PA	PA	PA	PA	PA	PA	PA	PA	E	E	E	E	E	E	PD	PD	PD	PD	PD	PD	PD	PD	PD	PD	PD	PD	PD



CODE	DIM "M" MATING LENGTH	CONTACT TYPE
E	[N/A]	SIGNAL
PA	[1.07]	POWER
PD	[2.34]	POWER

spec ref	*	dr	Weller Luo	2012-11-11	projection	MM	size	A4	scale	1:1
tolerance std	TOLERANCES UNLESS OTHERWISE SPECIFIED	eng	Weller Luo	2012-11-27			ecn no	*		
SEE NOTE		chr	-	-	-	product family	PwrBlade	rel level	Released	
surface	linear	0.X	±0.5		title	3ACP + 10P + 24S + 10P	dwg no	51940-461	rev	A
		0.XX	±0.25							
	angular	0°	±2°							
		www.fci.com	cat. no.	*	Product - Customer Drw			sheet 1 of 4		

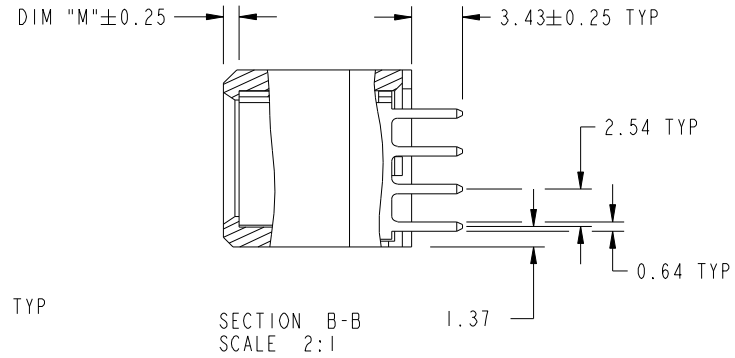
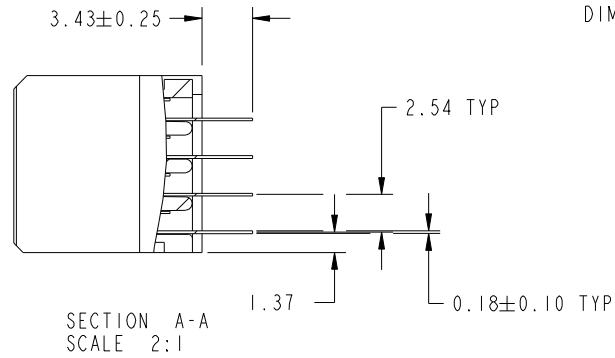


Copyright FCI.

Part File - REV C - 2009-06-09

PRODUCT NUMBER

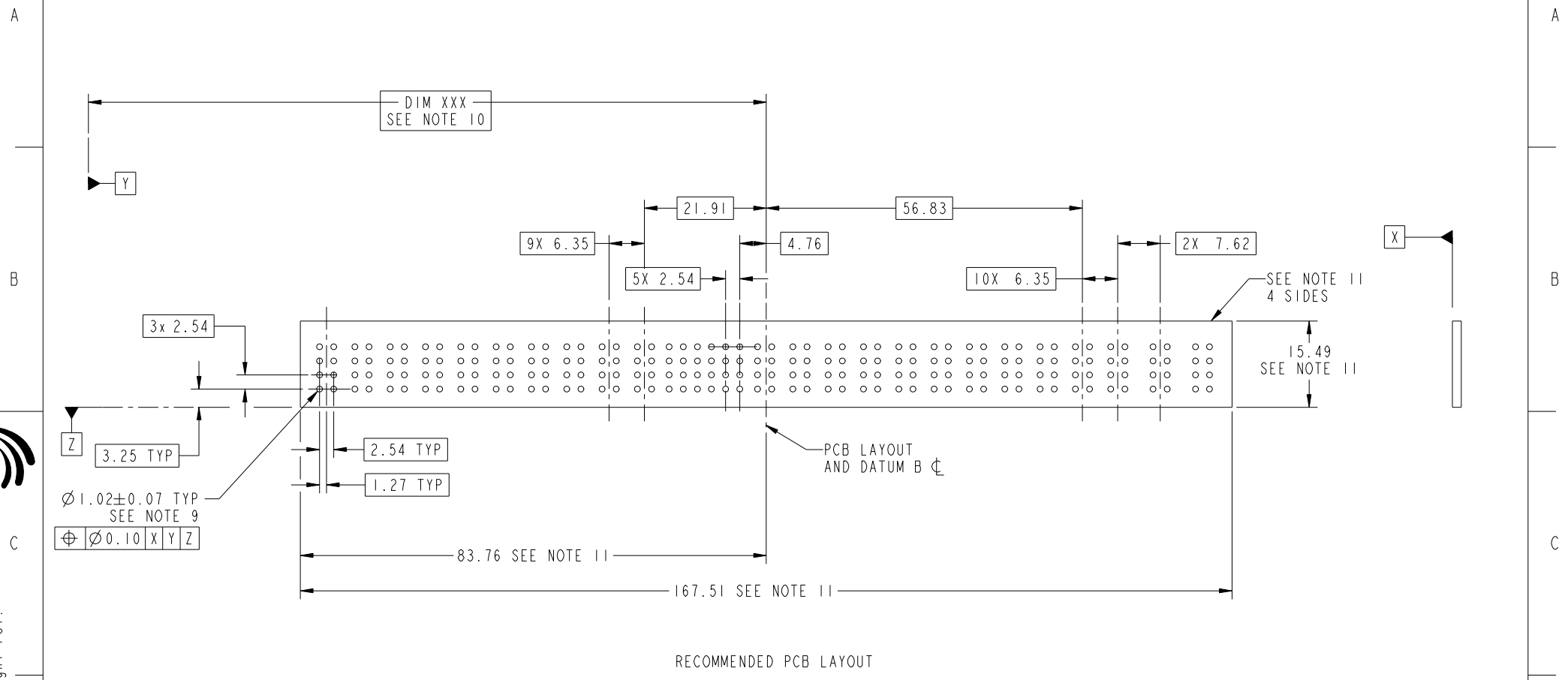
51940-461__
NOTE: 3



Copyright FCI.

dr	Weller Luo	2012-11-11	projection 	MM 	size	A4	scale	1:1			
eng	Weller Luo	2012-11-27			ecn no	*					
chr	-	-			rel level	Released					
appr	PM ZHENG	2012-11-27	product family	PwrBlade							
			title		3ACP + 10P + 24S + 10P		dwg no		51940-461	rev	A
www.fci.com			cat. no.		*		Product - Customer Drw		sheet 2 of 4		

PRODUCT NUMBER
51940-461__
NOTE: 3



Copyright FCI.

dr	Weller Luo	2012-11-11	projection 	MM 	size	A4	scale	1:1
eng	Weller Luo	2012-11-27			ecn no	*		
chr	-	-	product family	PwrBlade	rel level	Released		
appr	PM ZHENG	2012-11-27	title		3ACP + 10P + 24S + 10P	dwg no		51940-461
www.fci.com			cat. no.		*	Product - Customer Drw		rev
						sheet 3 of 4		A

PRODUCT NUMBER

51940-461__
NOTE: 3

NOTES:

1. DIMENSIONS AND TOLERANCES ARE IN ACCORDANCE WITH ASME Y14.5M, 1994 UNLESS OTHERWISE SPECIFIED.

CONNECTOR NOTES:

- 2 HOUSING MATERIAL: UL 94 V-0 GLASS FILLED HIGH-TEMP THERMOPLASTIC
POWER CONTACT MATERIAL: COPPER ALLOY
SIGNAL PIN MATERIAL: COPPER ALLOY
 - 3. SEE ITEM 5 & 6 IN PRINT 10064183 FOR PLATING SPEC OF 51940-461 AND 51940-461LF RESPECTIVELY.
 - 4 MANUFACTURER'S NAME, DATE CODE AND OPTIONAL P/N TO APPEAR ON THIS SURFACE. THE MARK CAN BE OMITTED IF THERE IS NOT ENOUGH SPACE ON THIS SURFACE.
 - 5. PRODUCT SPECIFICATION GS-12-149.
APPLICATION SPECIFICATION BUS-20-067.
 - 6. PACKAGED IN TRAYS.
- PCB NOTES:
- 7. ALL HOLE DIAMETERS ARE FINISHED HOLE SIZE.
 - 8 MOUNTING HOLES, WHERE APPLICABLE, ARE UNPLATED.
 - 9 $\varnothing 1.151 \pm 0.025$ DRILLED HOLES PLATED WITH
0.008 MIN SnPb OR Sn OVER 0.03
TO 0.08 Cu PLATING TO ACHIEVE
 $\varnothing 1.02 \pm 0.07$ HOLE.
 - 10 "DIM XXX" TO BE DETERMINED BY THE CUSTOMER.
 - 11 CONNECTOR KEEP-OUT ZONE.
 - 12. THE VOID CORING IN BETWEEN POWER MODULES, SIGNAL MODULES AND END MODULES ARE OPTIONAL AND THE SHAPE MAY BE DIFFERENT FOR OPTIMIZE THE MOLDING PROCESS. THE VOID CORING WILL NOT EFFECT TO PRODUCT FUNCTION.



Copyright FCI.

dr	Weller Luo	2012-11-11	projection 	MM 	size	A4	scale	1:1
eng	Weller Luo	2012-11-27			ecn no	*		
chr	-	-			rel level	Released		
appr	PM ZHENG	2012-11-27	product family	PwrBlade	rel level	Released		
		title			51940-461		rev	
www.fci.com		3ACP + 10P + 24S + 10P VERTICAL SOLDER RECEPT			dwg no		A	
cat. no.		*			Product - Customer Drw		sheet 4 of 4	