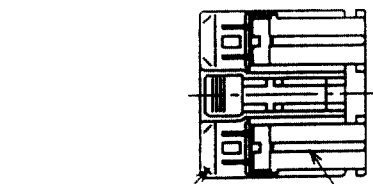
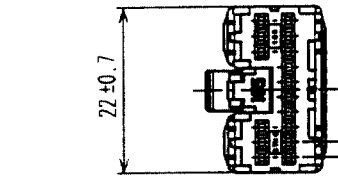


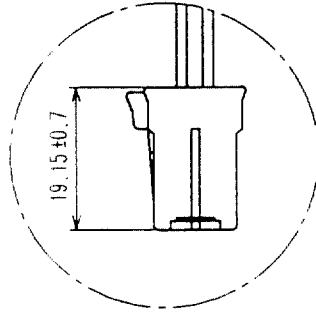
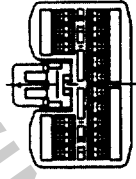
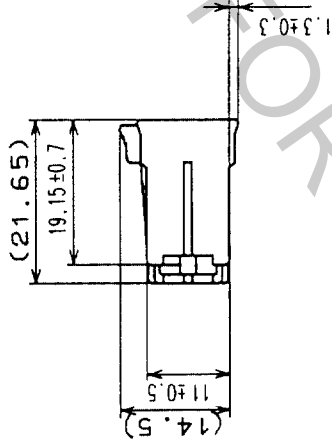
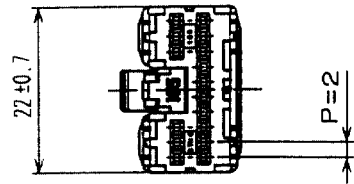
MOUNT CONDITION



1



2



MOUNT CONDITION

NOTE.1 RETAINER IS TEMPORARILY ASSEMBLED INTO HOUSING.
 NOTE.2 RETAINER TO BE COMPLETELY ASSEMBLED INTO POSITION AFTER CONTACT IS INSERTED.

COUNT	DESCRIPTION OF REVISIONS	BY	CHKD	DATE	COUNT	DESCRIPTION OF REVISIONS	BY	CHKD	DATE
△					△				
△					△				
△					△				

1	PBT-M	LIGHT GRAY	2	PBT-M	DARK GRAY
NO.	MATERIAL	FINISH, REMARKS	NO.	MATERIAL	FINISH, REMARKS
CODE NO. (OLD)	CL		DESIGNED	S. KURIYA	K. Aoto
			DRAWN	N. NAKATA	K. Aoto
				'97.3.3	'03.9.12
					03.9.16
DRAWING NO.			PART NO.		
EDC3-165275			GT10-16DS-HU		
SCALE			CODE NO.		
2 : 1			CL760-0002-7		
UNITS			1		
mm			1		

TO			
----	--	--	--

HRS DRAWING FOR REFERENCE