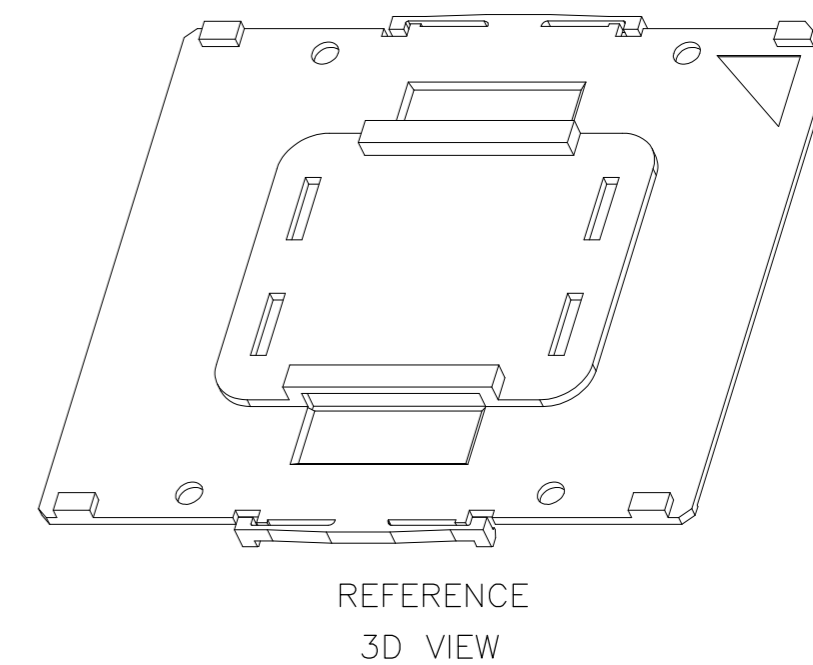
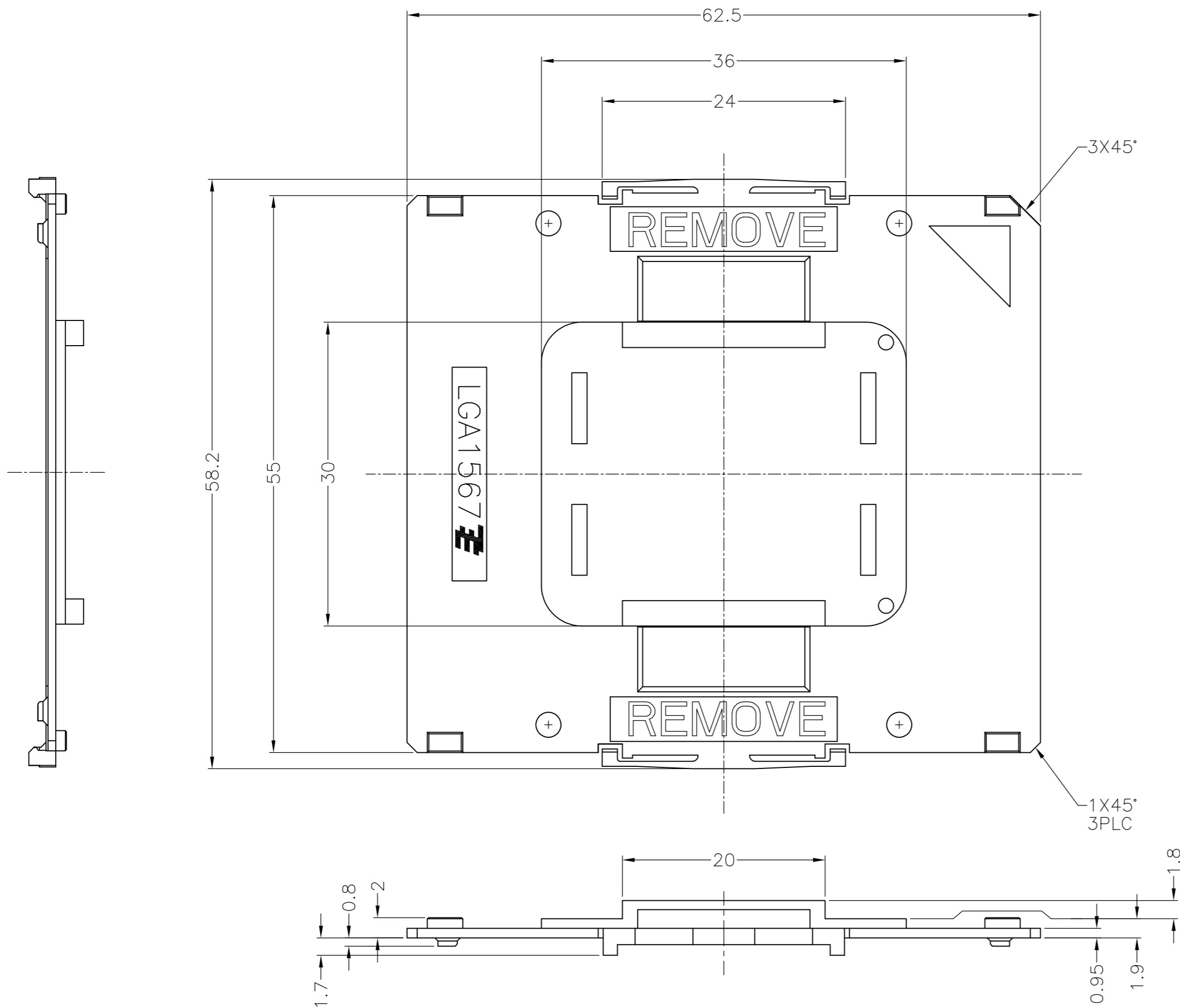


THIS DRAWING IS UNPUBLISHED. RELEASED FOR PUBLICATION
 © COPYRIGHT BY TYCO ELECTRONICS CORPORATION. ALL RIGHTS RESERVED.

LOC	DIST	REVISIONS					
		P	LTR	DESCRIPTION	DATE	DWN	APVD
J	-	B		REVISED	27APR'10	T.T	S.H

NOTES

1. MATERIAL : HIGH TEMP, THERMO-PLASTIC, UL94V-0, BLACK



P/N: 1-2040640-1 AS SHOWN

THIS DRAWING IS A CONTROLLED DOCUMENT.		DWN T.TOKUNAGA 15DEC2009	Tyco Electronics Corporation Kawasaki, Japan	
DIMENSIONS: 単位: 寸 mm		CHK H.TAGUCHI 15DEC2009	NAME CAP LGA1567	
TOLERANCES UNLESS OTHERWISE SPECIFIED: 一般公差		APVD S.HASHIMOTO 15DEC2009	SIZE A2	CAGE CODE 00779
0 PLC ± 0.3 1 PLC ± 0.3 2 PLC ± 0.3 3 PLC ± 0.3 4 PLC ± 0.3 ANGLES ± 3°		PRODUCT SPEC 製品規格	DRAWING NO 番号 C=2040640	RESTRICTED TO -
FINISH 仕上		APPLICATION SPEC 取付適用規格	WEIGHT 6.2 g	SCALE 尺度 NTS
MATERIAL 材料		CUSTOMER DRAWING	SHEET 1 of 1	REV B