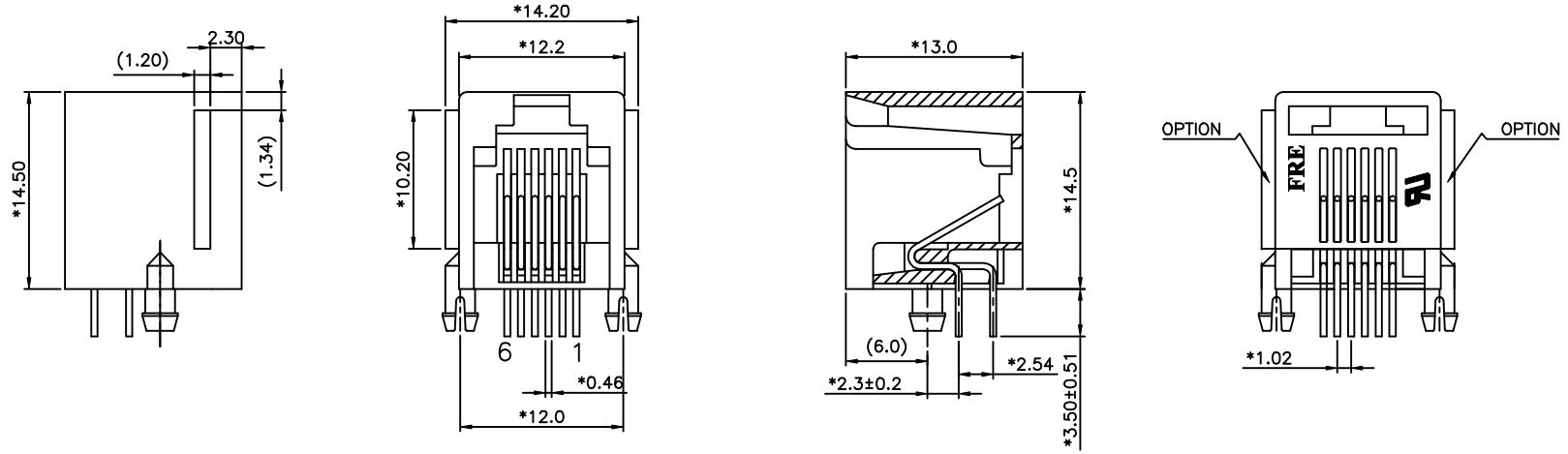


REVISION RECORD				
REV	ECO	DESCRIPTION	DRFT	CHKD
△		AMEND P/N	YICAN 05/07/05	
△		ADD P/N	WZY 04/20/05	
△		MODIFY NOTE	JANBY 4/29/05	



**NOTES:**

**ELECTRICAL:**

1. VOLTAGE RATING : 125 VAC RMS.
2. CURRENT RATING : 1.5 AMP.
3. CONTACT RESISTANCE : 30 MILLIOHMS MAX.
4. INSULATION RESISTANCE: 1000MEGOHMS MIN @ 500 VDC.
5. DIELECTRIC STRENGTH : 1000 VAC RMS 60Hz, 1MIN.

**MECHANICAL:**

1. HOUSING MATERIAL : NYLON+30%.G.F(FR52)UL94V-0.
2. HOUSING COLOUR : BLACK.
3. INSERT MATERIAL : NYLON+30%.G.F(FR52)UL94V-0.
4. CONTACT MATERIAL : PHOSPHOR BRONZE  $\phi$ 0.46mm.
5. PLATING : GOLD PLATING OVER NICKEL.
6. OPERATING LIFE : 750 CYCLES MIN.
7. PCB RETENTION PRE-SOLDER : 1 LB MIN.
8. PCB RETENTION POST-SOLDER: 10 LBS MIN.

**ENVIRONMENTAL:**

1. STORAGE : -40°C TO +85°C.
2. OPERATION: 0°C TO 70°C.
3. WAVE SOLDERING TEMPERATURE: 255~265°C (5~10 SECONDS)

MATES WITH MODULAR PLUG CONFORMING TO FCC PART 68, SUBPART F.

CUL FILE NO. E163191

ROHS PART NUMBER: E556X-60LXXX-L

△	NO.OF CONTACT	1- 3u"	2- 6u"
	2-2C	3-15u"	4-30u"
	4-4C	5-50u"	6-Pd 20u"
	6-6C	F-Gold Flash	

- △ UN- W/O POTION&W/O LOGO GY
- △ UM- W/ POTION&W/O LOGO GY
- △ U2- W/O POTION&W/O LOGO BK

PC Board Layout Component Side Shown

DETACHED LISTS	← MM (INCH) →		DFTO LIUXIN	DATE 03/12/05	FULL RISE ELECTRONIC CO., LTD	
	TOLERANCES EXCEPT AS NOTED		CHKD JAKE	DATE2005/10/06		
	MM	±	MFO	DATE	TITLE MINI L/P PCB JACK 6P	
	.0 ±0.20	±	APPVLU SHENG	DATE2005/10/06		
	.00 ±0.15	±	MATERIAL :		DRAWING NO. GE553013-LA	SIZE A3
.000 ±0.075	±	ANGLES ±	QT'Y :	/PART NO. SEE NOTE		
		THIRD ANGLE PROJECTION	FINISH :	SCALE : 3:1	DO NOT SCALE DRAWING	SHEET X OF Y