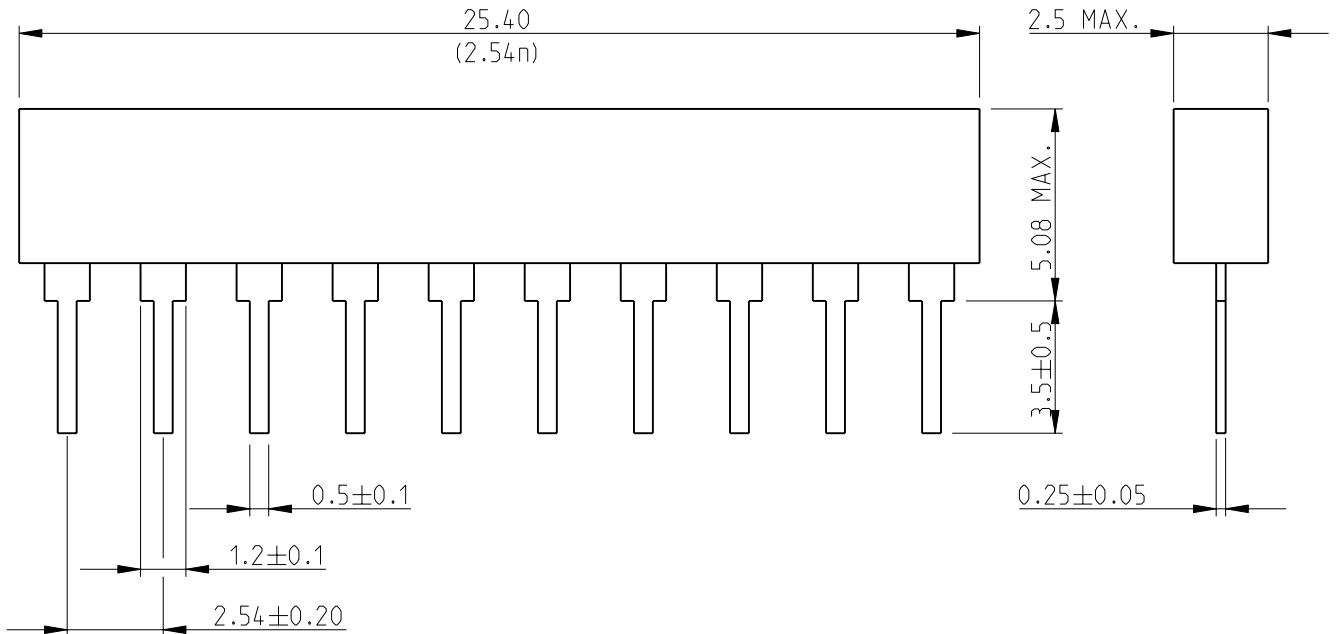
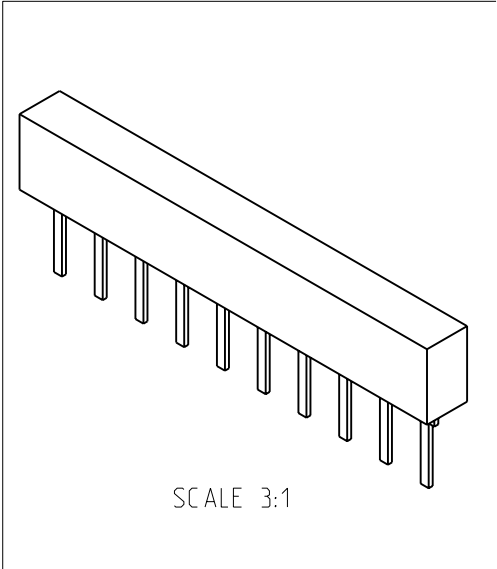


| | | | | | | | |
|-----|------|-----------|-----|-------------|-----------|-----|------|
| LOC | DIST | REVISIONS | | | | | |
| E | B | P | LTR | DESCRIPTION | DATE | DWN | APVD |
| | | | BA | NEW RELEASE | 22-OCT-09 | MRS | St.P |



RoHS Compliant



1. n = NUMBER OF PINS
2. FOR FURTHER INFORMATION SEE DATA SHEET FOR SERIES SIL, GENERAL PURPOSE RESISTOR NETWORKS

2009

RELEASED FOR PUBLICATION

THIS DRAWING IS UNPUBLISHED.

BY TYCO ELECTRONICS CORPORATION. ALL RIGHTS RESERVED.



| | | | | | | | |
|--|--|------------------|-----------|---|--------------|------------|---------------|
| DIMENSIONS: | | DWN | 22-OCT-09 | MATERIAL | FINISH | | |
| mm | | MAHARUDRA | | - | - | | |
| TOLERANCES UNLESS OTHERWISE SPECIFIED: | | CHK | 22-OCT-09 | Tyco Electronics Corporation Dorcan, Swindon, SN3 5HH | | | |
| 0 PLC ±0.2 | | ALLAN.P | | | | | |
| 1 PLC ±0.1 | | APVD | 22-OCT-09 | NAME GENERAL PURPOSE RESISTOR NETWORKS SIL10 RESISTOR NETWORKS | | | |
| 2 PLC ± | | STEPHEN.P | | | | | |
| 3 PLC ± | | PRODUCT SPEC | | SIZE | CAGE CODE | DRAWING NO | RESTRICTED TO |
| 4 PLC ± | | APPLICATION SPEC | | A 4 | 00779 | ©= 1622807 | - |
| ANGLES ±5° | | WEIGHT | | SCALE 5:1 | | | |
| | | CUSTOMER DRAWING | | | SHEET 1 OF 1 | | REV BA |