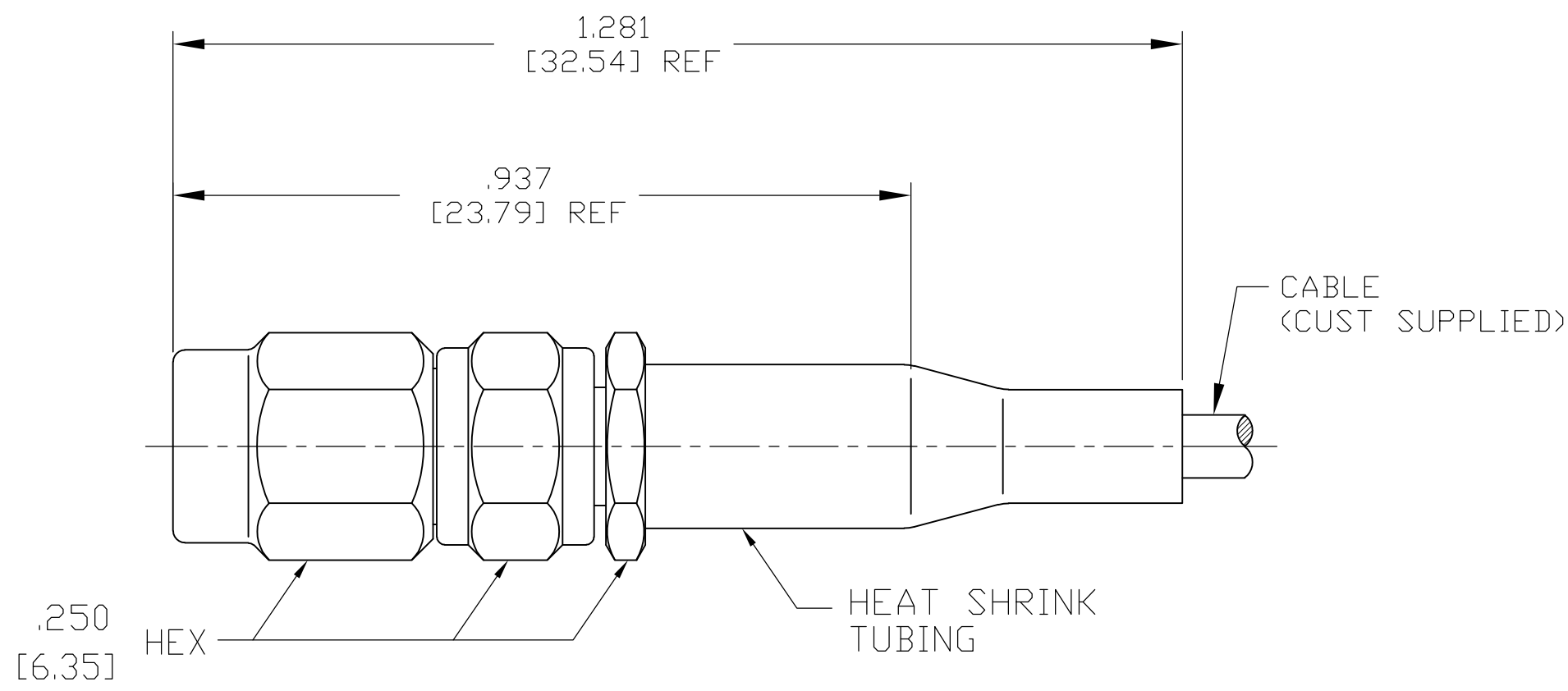


THIS DRAWING IS UNPUBLISHED. RELEASED FOR PUBLICATION
 © COPYRIGHT BY TYCO ELECTRONICS CORPORATION. ALL RIGHTS RESERVED.

LOC	DIST	REVISIONS					
DF	X0	P	LTR	DESCRIPTION	DATE	DWN	APVD
		C		REVISE PER ECO-08-015533	28AUG08	PY	DW

COMPONENT	MATERIAL	FINISH
HOUSING COUPLING NUT CLAMP NUT	STAINLESS STEEL PER ASTM-A484 AND ASTM- A582, TYPE 303	GOLD PLATE PER ASTM-B-488 OVER 50 uin NICKEL PLATE PER QQ-N-290
DIELECTRIC	TFE FLUOROCARBON PER ASTM-D-1457	N/A
CENTER CONTACT	BERYLLIUM COPPER PER ASTM B 196, ALLOY C17300, CONDITION H	GOLD PLATE PER ASTM-B-488 OVER 50 uin NICKEL PLATE PER QQ-N-290
RETAINING RING	BERYLLIUM COPPER PER ASTM B 194, ALLOY C17200, CONDITION H	GOLD PLATE PER ASTM-B-488 OVER COPPER PLATE PER AMS 2418
RETAINING RING	BERYLLIUM COPPER PER ASTM B 194, ALLOY C17200, CONDITION H	N/A
GASKET	VITON PER MIL-R-83248, TYPE I, CLASS 1	N/A
SHRINK TUBING	HEAT SHRINKABLE POLYOLEFIN COMPOUND MIL-I-23053/4	N/A
FERRULE	COPPER OR BRASS ALLOY ROCKWELL F65 MAXIMUM	GOLD PLATE PER ASTM-B-488 OVER COPPER PLATE PER AMS 2418
SLEEVE	BRASS PER ASTM-B-16 COMP. 360, HALF HARD	GOLD PLATE PER ASTM-B-488 OVER COPPER PLATE PER AMS 2418
COMPONENT	MATERIAL	FINISH



ELECTRICAL	MECHANICAL	ENVIRONMENTAL
Nominal Impedance (Ohms) <u>50</u> Frequency Range (GHz) <u>DC to MAX</u> <u>OPERATING FREQUENCY OF CABLE</u> Volt Rating (VRMS MAX) <u>@ Sea Level 250</u> VSWR <u>1.20±0.3xf(GHz)</u> Insertion Loss (dB MAX) <u>.04 √f(GHz)</u> RF Leakage (dB MIN) <u>-60 dB @ 2-3 GHz</u> Corona, 70,000 Ft (VRMS MIN) <u>190</u> Dielectric Withstanding Voltage (VRMS MIN) @ Sea Level <u>750</u> Contact Resistance (Milliohms MAX) Center Contact <u>4.0</u> Outer Contact <u>2.0</u> Cable to Housing <u>5.0</u> RF High Potential @ Sea Level (VRMS MIN @ 5 MHz) <u>500</u> I.R.(Megohms MIN) <u>5,000</u>	Interface Dimensions MIL-STD-348A, Fig. 319.1 Recommended Mating Torque <u>4 - 5 in-lbs</u> Mating Characteristics: Insertion (MAX Lbs) <u>3.0</u> Withdrawal (MIN Oz) <u>1.0</u> Force to Engage and Disengage (In-Lbs MAX) <u>2.0</u> Center Contact Captivation Axial (Lbs) <u>4.0</u> Radial (In-Oz) <u>N/A</u> Cable Retention Axial Force (Lbs MIN) <u>10</u> Torque (In-Oz) <u>N/A</u> Weight (Grams) <u>TBD</u>	TEMPERATURE RATING <u>-65°C TO +165°C</u> Vibration MIL-STD-202, Method 204, Condition D. Shock MIL-STD-202, Method 213, Condition I. Thermal Shock MIL-STD-202, Method 107, Condition B, EXCEPT HIGH TEMP +85°C Moisture Resistance MIL-STD-202, Method 106 Corrosion - MIL-STD-202, Method 101, Condition B, 5% salt spray

DESIGNED FOR USE WITH RG-196/U CABLE	
CABLE ENTRY DIAMETER MINIMUM	
FERRULE	.098 [2.49]
SLEEVE	.036 [0.91]
CONTACT	.014 [0.36]

THIS DRAWING IS A CONTROLLED DOCUMENT.		DWN C.C.THOMAS 10-30-07	Tyco Electronics Corporation Harrisburg, PA 17105-3608	
DIMENSIONS: INCHES [mm]		CHK D.WILSON 10-30-07	NAME D.WILSON	
TOLERANCES UNLESS OTHERWISE SPECIFIED:		APVD D.WILSON 10-30-07	PRODUCT SPEC	
0 PLC ± - 1 PLC ± - 2 PLC ± - 3 PLC ± .005 [0.13] 4 PLC ± - ANGLES ± -		APPLICATION SPEC 408-04787		
MATERIAL SEE TABLE		WEIGHT -		SIZE A2
FINISH SEE TABLE		CAGE CODE 00779		DRAWING NO 1996230
		CUSTOMER DRAWING		RESTRICTED TO -
		SCALE 5:1		SHEET 1 of 1
				REV C

1996230-1
PART NUMBER