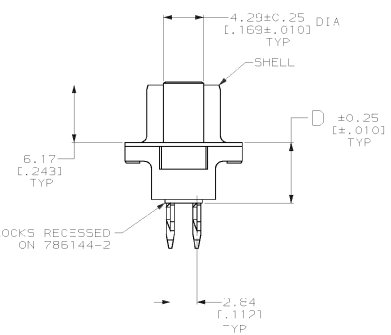
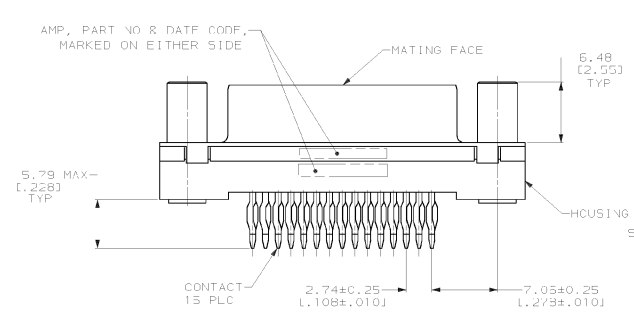
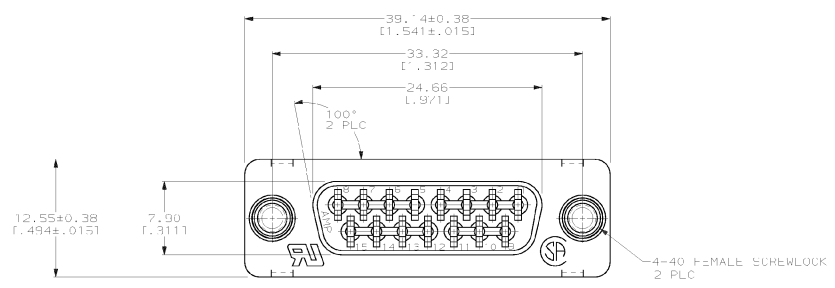
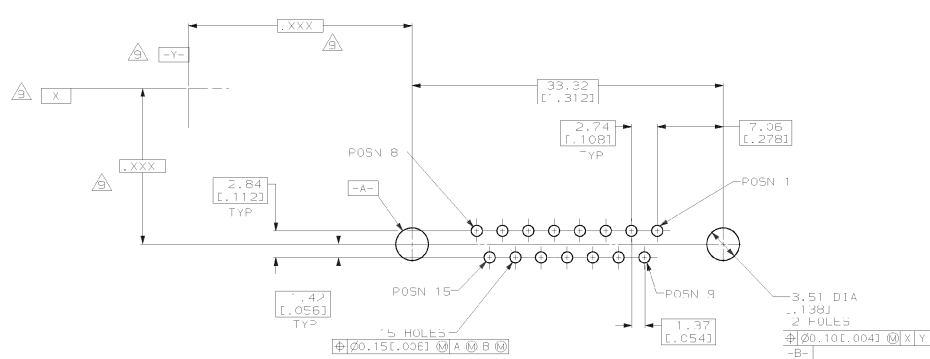


REV	DATE	BY	CHK	APP	DESCRIPTION	DATE	APP
GP	00				REVISED PER FC 0513-0029-03		ZORAVIC JG



- △ RECOMMENDATIONS FOR 2.36 [0.093] MIN THICK PC BOARD:
  - A. HOLE DIAMETER AFTER DRILLING = 1.14±0.03 [0.045±.001].
  - B. HOLE DIAMETER AFTER TIN-LEAD PLATING = 0.94-1.09 [0.037-.043].
  - C. HOLE DIAMETER AFTER REFLOW = 0.91-1.05 [0.036-.043].
  - D. PC BOARD PLATING TO BE 7.62µm [0.000300] MIN TIN-LEAD OVER 0.0540 [0.002±.001] COPPER.
- △ NYLON OR POLYESTER, UL 94V-0 RATED, GLASS FILLED, BLACK.
- △ COPPER ALLOY PER ASTM B 122.
- △ CARBON STEEL PER ASTM A 109.
- △ BRASS PER 00-B-626.
- △ GOLD PLATING PER MIL-G-45204, NICKEL PLATING PER QQ-N-290, TIN PLATING PER MIL-T-10727, COPPER PLATING PER MIL-C-14550.
- △ 5.00µm [0.000200] MIN TIN-LEAD OVER 2.54µm [0.00100] MIN COPPER.
- △ 0.76µm [0.000030] MIN GOLD FOR A LENGTH OF 1.02 [0.040] MIN FROM MATING END, 2.54µm [0.00100] MIN TIN OR TIN-LEAD FOR A LENGTH OF 5.79 [2.28] MIN FROM OPPOSITE END, BOTH OVER 1.27µm [0.00050] MIN NICKEL.
- △ DATUMS AND BASIC DIMENSIONS ESTABLISHED BY CUSTOMERS.



RECOMMENDED PC BOARD MOUNTING DIMENSIONS △  
 CONNECTOR SIDE OF BOARD

CBS01 FTF	5.99 [0.236]	786-44-2
	6.48 [0.255]	786-44-1
	D	PART NUMBER

DR 1-31-89 C. OGDEN CHK 2-4-92 R. STONE APD 2-5-92 H. RUDOLPHE APD 2-5-92 W. PARKER PRODUCT SPEC 108-40014	AMP AMP Incorporated Harrisburg, PA 17105-3606
MATERIAL HOUSING: △ SCREWLOCKS: △ CONTACTS: △ SHELL: △	NAME RECEPTACLE ASSEMBLY, SIZE 2, 15 POSITION, ACTION PIN™, VERTICAL, FRONT METAL SHELL AMPLIMITE™ HD-20
APPLICATION SPEC = CONTACT SHELL: △	SIZE D 00779 DRAWING NO 786144 SCALE: 4:1 SHEET: 1 OF 1