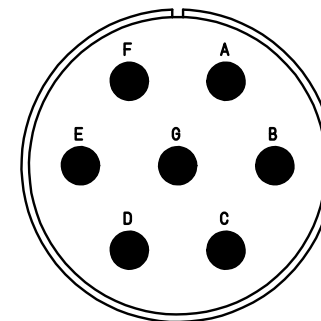
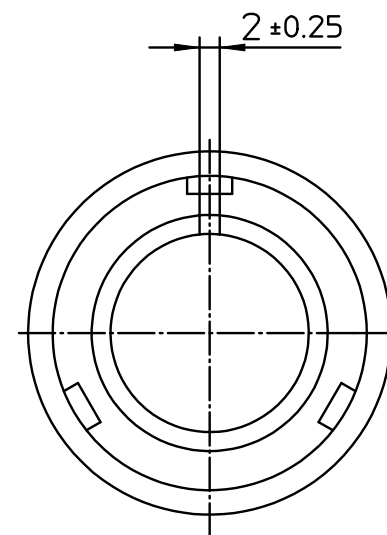


| NO. | MASSE / DIMENSIO |
|-----|------------------|
| A   | 46.6             |
| B1  | 21.5             |
| B2  | 16.6             |
| C   | 76               |



| NO. | BESCHREIBUNG / DESCRIPTION           |
|-----|--------------------------------------|
| 1   | ISOLIERKÖRPER STIFT / INSULATOR PIN  |
| 3   | DICHTKÖRPER / GROMMET                |
| 4   | ENDRING / ENDRING                    |
| 5   | KONTAKTSTIFT/ CONTACT PIN            |
| 7   | ZYLINDERGHÄUSE / BARREL              |
| 9   | ÜBERWURFMUTTER / COUPLING NUT        |
| 10  | DICHTRING FRONT / FRONT SEALING RING |
| 12  | ENDGEHÄUSE / ENDBELL                 |

Note: Due to an automatic nomenclature system, numbers generated may not be sequential.  
 Specification and Dimensions subject to change  
 Drawings illustrate normal insulator positioning

| Material Specification: |                                 |
|-------------------------|---------------------------------|
| Shell Material:         | Aluminium alloy                 |
| Shell Plating:          | Zinc cobalt, black (conductive) |
| Insulator Material:     | CR-Elastomere                   |
| Contact Material:       | Copper alloy                    |
| Contact Plating:        | Hard silver                     |

all dimensions are in mm  
 Dimensions without tolerance indications are general tolerances in acc. with DIN7168m

drawing for  
 CUSTOMER



description CA3106E24-10P-B-A232  
 Plug, straight  
 Endbell with clamp and bushing  
 Solder Cup / Pin / Layout: 24-10