

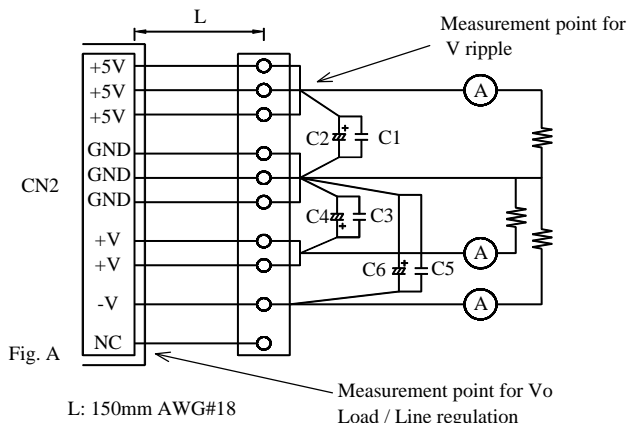
# SWT100 SPECIFICATIONS

CA704-01-01F

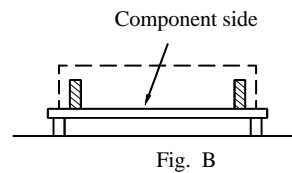
ITEMS	MODEL	SWT100-522			SWT100-525			SWT100-5FF			
		CH1	CH2	CH3	CH1	CH2	CH3	CH1	CH2	CH3	
1	NOMINAL OUTPUT VOLTAGE	V	+5	+12	-12	+5	+12	-5	+5	+15	-15
2	MIN. OUTPUT CURRENT	A	0.5	0	0	0.5	0	0	0.5	0	0
3	MAX. OUTPUT CURRENT	A	8	4	0.8	8	4	0.8	8	3.2	0.8
4	PEAK OUTPUT CURRENT	A	-	-	-	-	-	-	-	-	-
5	MAX. OUTPUT POWER	W	97.6			92			100		
6	EFFICIENCY (TYP) (* 1)	-	74%								
7	INPUT VOLTAGE RANGE (* 2)	-	AC85~265V (Continuously), 47~63 Hz /110~340VDC								
8	INPUT CURRENT (TYP) (* 1)	-	2.9A(Vin=100VAC) / 1.9A (Vin=200VAC)								
9	INRUSH CURRENT (TYP) (*10)	-	15A / 100VAC 30A / 200VAC (Ta=25°C)								
10	OUTPUT VOLTAGE	-	CH1 +5V fixed, CH2.3 fixed Shipment condition: CH1: ±1%, CH2: ±3%, CH3: ±5%								
11	MAX. RIPPLE & NOISE (* 3)	-	±5V: 120mV; ±12V: 150mV; ±15V: 150 mV								
12	MAX. LINE REGULATION (*3,4)	-	CH1:1%, CH2: 2%, CH3: 1%								
13	MAX. LOAD REGULATION (*3,5)	-	CH1:2%, CH2: 4%, CH3: 2%								
14	MAX. TEMPERATURE DRIFT (*3,6)	-	0.04%/°C								
15	OVER CURRENT PROTECTION (* 7)	-	Automatic recovery, O.C.P point: 105% ~								
16	OVER VOLTAGE PROTECTION (* 8)	-	6V ~ ( CH1 only )								
17	HOLD - UP TIME (TYP) (* 1)	-	17ms (Input 100VAC)								
18	OPERATING TEMPERATURE (* 9)	-	Convection cooling 0 ~ 50°C:100% load; 60°C:70% load								
19	OPERATING HUMIDITY	-	30% ~ 90%RH								
20	STORAGE TEMPERATURE	-	-20°C ~ +85°C								
21	STORAGE HUMIDITY	-	10% ~ 95%RH								
22	COOLING	-	Convection cooling								
23	EMI	-	Conform to FCC-B, VCCI-2, EN55022B								
24	WITHSTAND VOLTAGE	-	I/P-O/P:3kVAC(20mA),I/P-FG:2.5kVAC(20mA),O/P-FG:500VAC(100mA) for 1min								
25	ISOLATION RESISTANCE	-	More than 100MΩ at Ta=25°C and 70%RH, Output - FG 500VDC								
26	VIBRATION	-	10 ~ 55Hz Amplitude ( sweep 1min ) Less than 19.6m/s <sup>2</sup> X ,Y ,Z 1Hr each								
27	SHOCK	-	Less than 196.1m/s <sup>2</sup>								
28	OUTPUT GROUNDING	-	All channels common ground (3 terminals)								
29	SAFETY	-	Conform to UL1950, CSA950, EN60950, DENTORI								
30	WEIGHT	-	600g								
31	SIZE (W*D*H)	m/m	108.0 x 196.9 x 45.0								
		inch	4.25 x 7.75 x 1.77 (3.75 x 7.25 mounting hole Φ 3.5mm)								

**NOTES:**

- \*1. At 100VAC, 200VAC and MAX. OUTPUT POWER (Convection cooling), Ta=25°C.
- \*2. For cases where conformance to various safety specs (UL,CSA, EN) are required to be described as 100~120VAC, 200~240VAC, 50/60 Hz on name plate.
- \*3. Please refer to Fig A for measurement determination of line & load regulation and output ripple voltage.  
(Measure with JEITA RC-9131 probe)
- \*4. From 85~132VAC / 170~265VAC, constant load.
- \*5. From Min. load - Full load ( Maximum power ), constant input voltage.
- \*6. From 0°C ~ +50°C, constant input voltage and load.
- \*7. Current limiting with automatic recovery. Avoid to operate over load or dead short for more than 30 seconds.
- \*8. Over voltage clamping by zener diode.
- \*9. At standard mounting method, Fig B.
- \*10. When resuming operation in less than 5sec. after power failure, soft start circuit will not limit the in-rush current at turn-on.



L: 150mm AWG#18  
 C1,C3,C5: Film Cap 0.1μF  
 C2,C4,C6: Elec. Cap 100μF  
 Bandwidth of scope: 100MHz



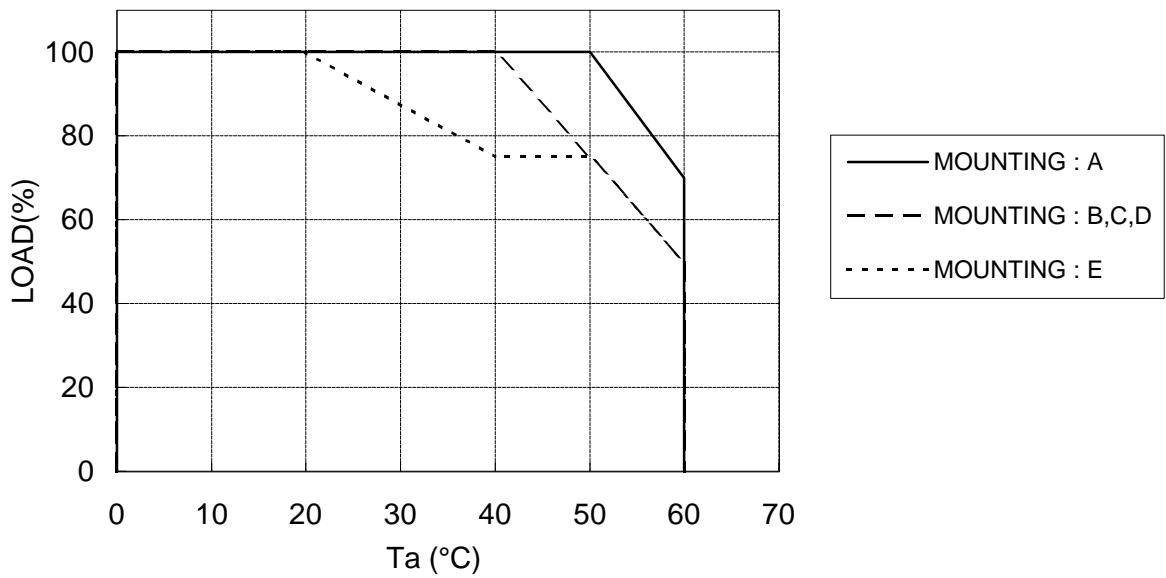
# SWT 100 OUTPUT DERATING

NEMIC-LAMBDA

CA704-01-02A

Ta (°C)	LOAD (%)				
	MOUNTING : A	MOUNTING : B	MOUNTING : C	MOUNTING : D	MOUNTING : E
0	100	100	100	100	100
20	100	100	100	100	100
40	100	100	100	100	75
50	100	75	75	75	75
60	70	50	50	50	50

OUTPUT DERATING CURVE



MOUNTING : A

MOUNTING : B

MOUNTING : C

MOUNTING : D

MOUNTING : E

DON'T USE

(STANDARD MOUNTING)

