

NOTES:

1. MATERIALS AND FINISHES:  
 OUTER CONTACT - PHOSPHOR BRONZE, NICKEL PLATING  
 CONTACT - BRASS, GOLD PLATING  
 COUPLING NUT - BRASS, NICKEL PLATING  
 INSULATOR - PTFE
2. ELECTRICAL:  
 A. IMPEDANCE: 75 OHM  
 B. FREQUENCY RANGE: DC - 4 GHz  
 C. RETURN LOSS : -30 dB MIN AT 4 GHz  
 D. DIELECTRIC WITHSTANDING VOLTAGE: 1500 VRMS, MIN.
3. MECHANICAL:  
 A. DURABILITY: 500 CYCLES MIN.  
 B. TEMPERATURE RANGE: -65° C TO +165° C
4. PACKAGING:  
 A. QUANTITY: SINGLE PACK  
 B. MARKING: BAG TO BE MARKED  
 "AMPHENOLRF, 31-70466, AND DATE CODE"
5. CABLE ASSEMBLY INSTRUCTIONS:  
 A. TRIM CABLE AS SHOWN.  
 B. CRIMP CONTACT TO CABLE CENTER CONDUCTOR WITH .042" SQUARE DIE  
 C. CRIMP FERRULE WITH 0.213" HEX.

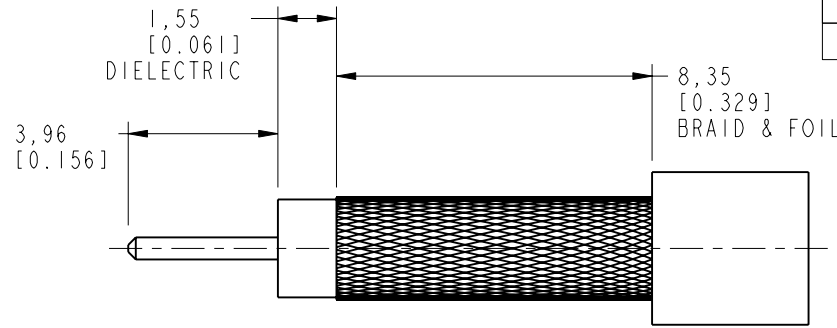
6 SHOWS CABLE ENTRY DIMENSIONS.

INTERFACE PER  
MIL-STD-348  
SERIES: BNC PLUG

THIRD ANGLE PROJ.

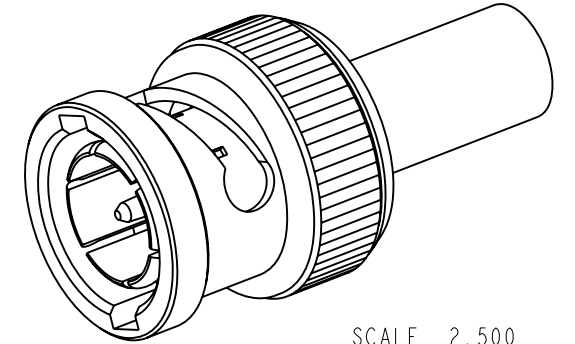
REVISIONS

| REV | DESCRIPTION     | DATE      | ECO   | APPR |
|-----|-----------------|-----------|-------|------|
| A   | RELEASED TO MFG | --        | 48270 | NMV  |
| B   | SEE SHEET 1.    | 12-Oct-10 | 48293 | AAP  |

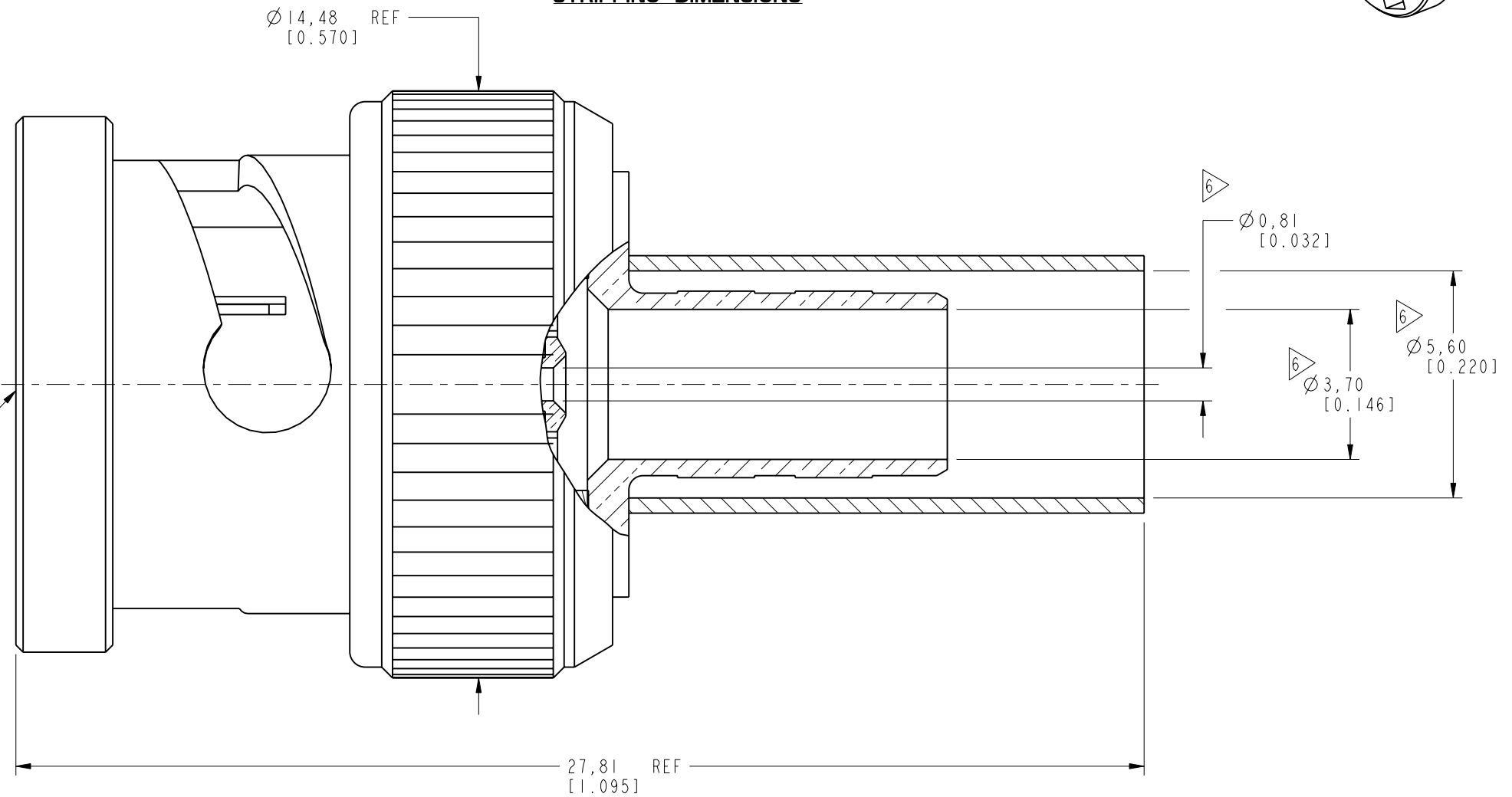


SCALE 5.000

RECOMMENDED CABLE STRIPPING DIMENSIONS



SCALE 2.500



**CUSTOMER OUTLINE DRAWING**

ALL OTHER SHEETS ARE FOR INTERNAL USE ONLY

|  |                          |               |               |   |          |  |  |
|--|--------------------------|---------------|---------------|---|----------|--|--|
| UNLESS OTHERWISE SPECIFIED, DIMENSIONS ARE IN METRIC AND TOLERANCES ARE:<br><0.5mm ±0.05mm    0.5 - 6mm ±0.1mm    6 - 30mm ±0.2mm    30 - 120mm ±0.3mm    ANGLES ±1°   | MATERIAL                 | DRAWN         | DATE          | TITLE<br>BNC STR PLUG<br>TFC HD 210 CABLE |          | Amphenol RF<br>Danbury CT USA, Tainan, Taiwan, Shenzhen, China<br>www.amphenolrf.com |  |
|  | SEE NOTES                | C. WANG       | 08-Oct-10     |   |          |  |  |
|  | REFERENCE                | ENGINEER      | DATE          | SCALE: 7.0:1.0    SHEET 2 OF 2            |          | DRAWING NO. 31-70466<br>ITEM NO. 31-70466<br>PART NO. 31-70466                       |  |
|  | EAR # 4068               | A. ARUN PRABU | 20-May-10     |   |          |  |  |
| CONFIGURATION LEVEL: =%%Z0HXIBIGC%=  | APPROVED                 | DATE          | DWG SIZE<br>B |   | REV<br>B |  |  |
| FINISH   | S. HSIEH                 | 12-Oct-10     |               |   |          |  |  |
| NOTICE - These drawings, specifications, or other data (1) are, and remain the property of Amphenol corp. (2) must be returned upon request; and (3) are confidential and not to be disclosed to any person other than those to whom they are given by Amphenol Corp. the finishing of these drawings, specifications, or other data by Amphenol Corp., or to any other person to anyone for any purpose is not to be regarded by implication or otherwise in any manner licensing, granting rights to permitting such holder or any other person to manufacture, use or sell any product, process or design, patented or otherwise, that may in any way be related to or disclosed by said drawings, specifications, or other data. | Root Folder/BNC/31-70466 |               |               |   |          |  |  |