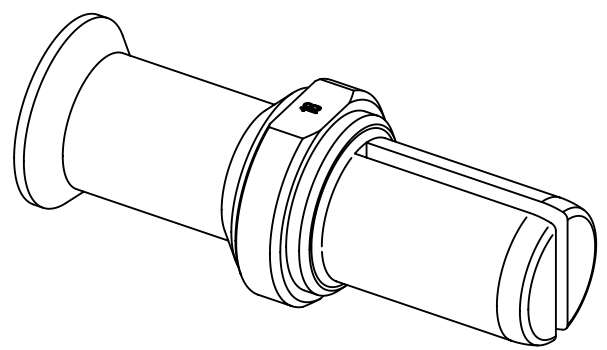


assembly notes see catalogue  
 crimp zone acc. to DIN EN 46235, indicator 18  
 for stranded fine wire acc. to VDE 0295 class 5/ IEC 60228 class 5  
 wire gauge: 95mm<sup>2</sup>  
 stripping length: 42mm



	All Dimensions in mm Original Size DIN A4		Scale 1:1	Free size tol.		Ref. Sub. TB 09 11 000 6162 v. 18.07.11	
		All rights reserved	Created by SCHULZI	Inspected by SCHNIEDER	Standardisation SCHMIDTM	Date 2015-01-27	State Final Release
Department EL PD - DE		Title Han TC650 male contact 95mm <sup>2</sup>				Doc-Key / ECM-Nr. 100210237/UGD/005/B 500000082399	
HARTING Electric GmbH & Co. KG D-32339 Espelkamp		Type TB	Number 09 11 000 6162			Rev. B	Page 1/1