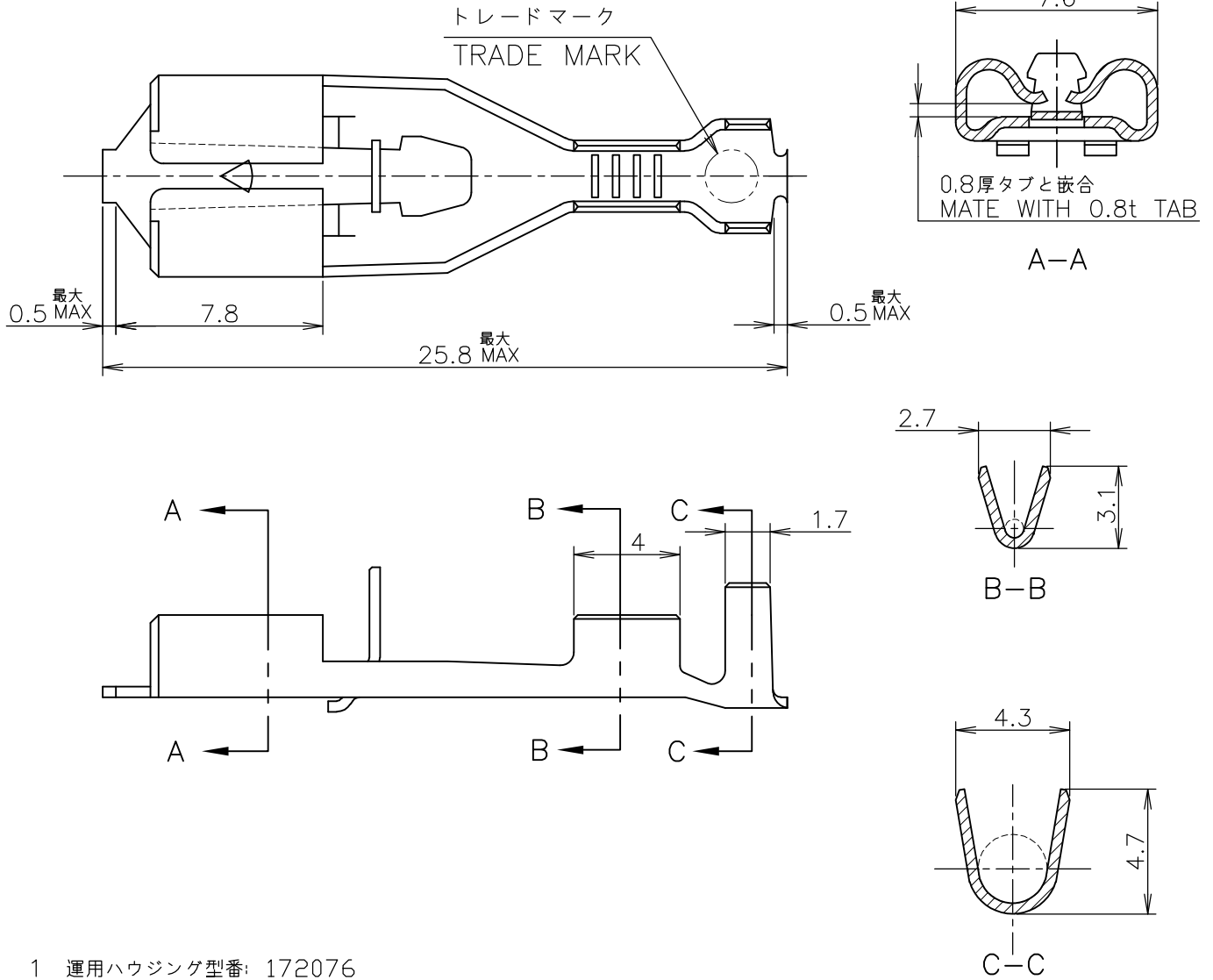


LOC J	DIST /	REVISIONS 変更			DATE	DWN	APVD
P	LTR	DESCRIPTION			26NOV2010	T.T	T.M
	E	REDRAWN ECR-10-023816					

-1; AS SHOWN



1 運用ハウジング型番: 172076

1 APPLICABLE HOUSING P/N: 172076

170333-1	PRE TINNED BRASS 錫めっき付 黄銅 0.4t	170327-1
LOOSE PIECE NO. ばら状端子型番	MATERIAL 材料	P/N 型番

WIRE RANGE 抱合電線断面積	AWG #22-#18 0.31~0.89 mm <sup>2</sup>	INSULATION DIA 被覆外径	1.5~3.1 mm $\phi$
-----------------------	------------------------------------------	------------------------	-------------------

DIMENSIONS: 単位: 耗 mm	DWN M.SUZUKI	07AUG1998	MATERIAL 材料	表参照	FINISH 仕上	SEE TABLE
	CHK M.SHINDO	18AUG1998	Tyco Electronics Corporation Kawasaki, Japan			
TOLERANCES UNLESS OTHERWISE SPECIFIED: 一般公差	APVD M.SHINDO	18AUG1998				
0 PLC $\pm$	PRODUCT SPEC 製品規格	108-5127				
1 PLC $\pm$ 10 $\geq$ : $\pm 0.2$	APPLICATION SPEC 取付適用規格	114-5042				
2 PLC $\pm$ 30 $\geq$ > 10: $\pm 0.25$	WEIGHT	A4 00779 C-170327				
3 PLC $\pm$ 100 $\geq$ > 30: $\pm 0.3$	CUSTOMER DRAWING	SIZE	CAGE CODE	DRAWING NO 番号	RESTRICTED TO	
4 PLC $\pm$		A4	00779	C-170327	-	
ANGLES $\pm 3'$		SCALE 尺度	4:1	SHEET 1 OF 1	REV E	

RELEASED FOR PUBLICATION  
AUG 1, 1998.

ALL INTERNATIONAL RIGHTS RESERVED.

THIS DRAWING IS UNPUBLISHED.

ALL INTERNATIONAL RIGHTS RESERVED.

© COPYRIGHT 1998 BY TYCO ELECTRONICS CORPORATION.