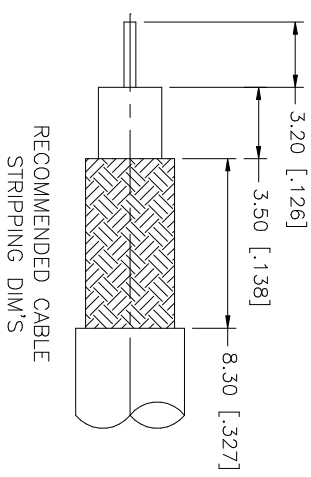
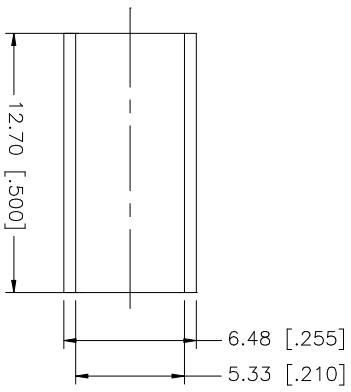
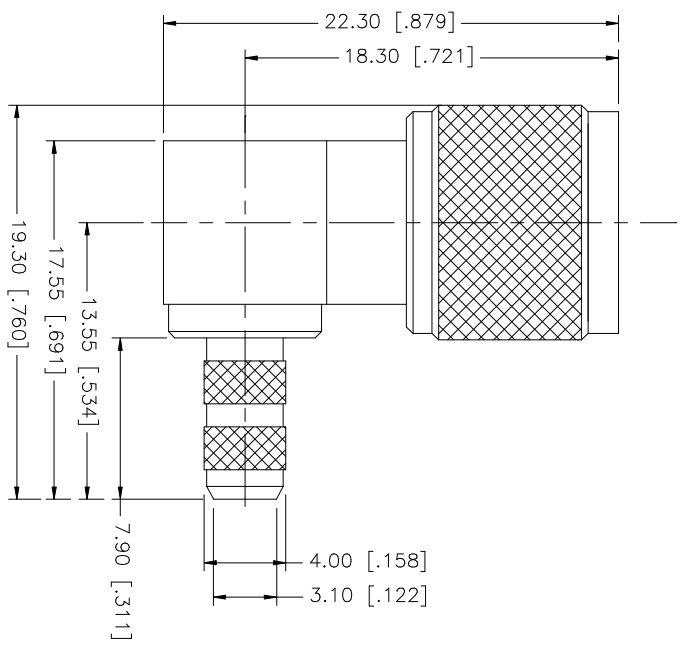


REV.	DATE	DESCRIPTION
A	09/30/03	ADD STRIPPING DIMENSIONS



CRIMP NOTES:
 1. CRIMPED FERRULE
 HEX CRIMP SIZE .213"

QTY	FINISH	MATERIAL	DESCRIPTION
1	NICKEL	BRASS	COVER
1	NICKEL	COPPER	FERRULE
1	GOLD	BRASS	CONTACT PIN
1	NATURAL	DELTRIN	INSULATOR
1	NICKEL	DIE CAST	BODY

DATE	APPROVALS
09/30/03	G.R.S.

DATE	DESCRIPTION
09/30/03	MINI-UHF CRIMP PLUG (FOR RG-55/U, 223/U, 142/U, 400/U CABLE)

REV.	SIZE	SCALE
A	A	NA

DWG. NO.	CAD FILE
182324.DWG	C:/182/182324.DWG

REV.	SIZE	SCALE
A	A	NA

Amphenol Connex

MINI-UHF CRIMP PLUG
(FOR RG-55/U, 223/U, 142/U, 400/U CABLE)

182324