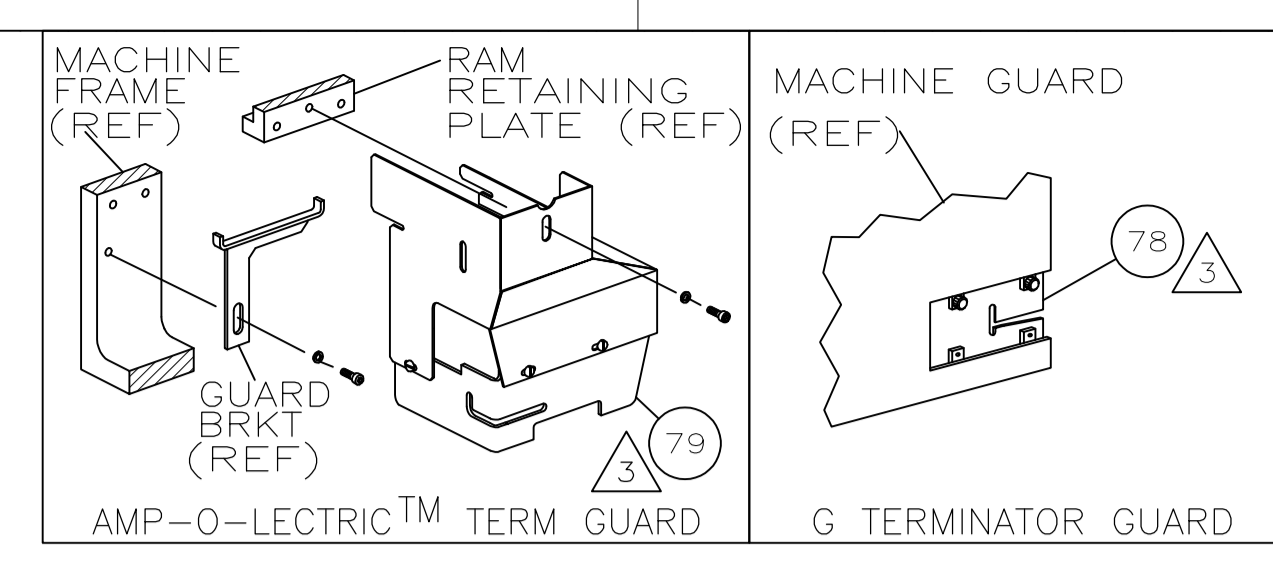


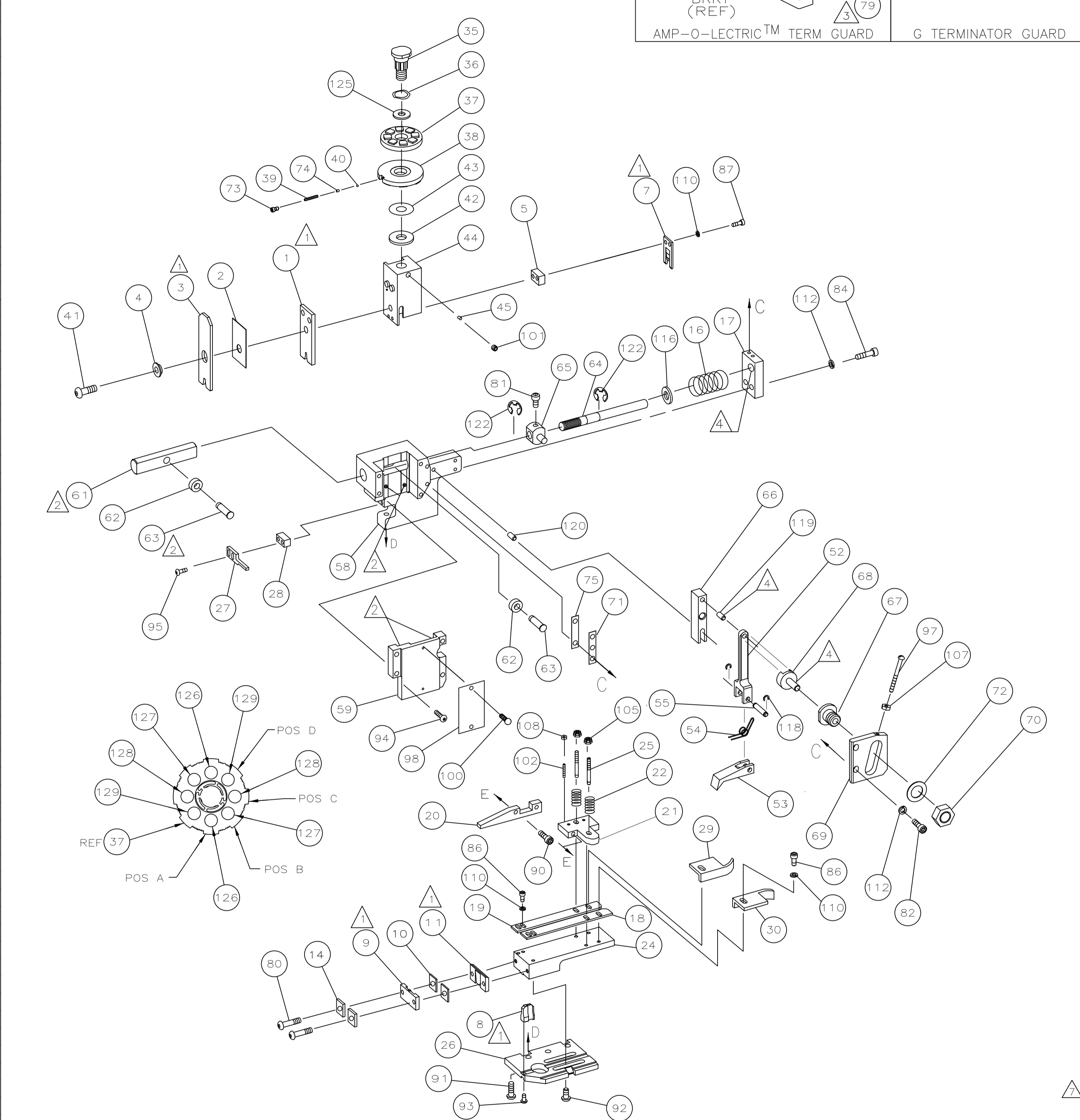
THIS DRAWING IS UNPUBLISHED.		RELEASED FOR PUBLICATION	
COPYRIGHT - By -		ALL RIGHTS RESERVED.	
PART NUMBER	REV	FIRST USED	
466678-1	R	122500-1	
466678-2	R	565435-5	



LEFT HAND		RIGHT HAND		CRIMPING DATA			
62619	62623	62811	62812	CRIMP HEIGHT	WIRE SIZE		
				A .077 ±.002 [1.96 ±0.05mm]	14		
				B .071 ±.002 [1.8 ±0.05mm]	(2)18		
				C .068 ±.002 [1.73 ±0.05mm]	16		
				D .062 ±.002 [1.57 ±0.05mm]	18		
CRIMP		SIZE		TYPE		RANGE	
WIRE		.110 [2.79mm]		F		18-14	
INSUL		.180 [4.57mm]		0		.110-.200	
WIRE STRIP LENGTH	TERM APPL SPEC	FEED	APPL INSTRUCTION	SET UP GAGE	LAYOUT		
.173-.203	114-2079	.740	408-8039	-	959		

REVISIONS					
REV	DATE	BY	APPV	DESCRIPTION	
R	15MAR2017	RS	LZ	ECR-17-00210	

-1	LEADMAKER & BENCH MODEL G	MECH POST FEED
-2	BENCH MODEL K	MECH POST FEED



2	2	-	C	9-354778-7	PIN, WIRE DISC (.2980)D	129
2	2	-	C	8-354778-5	PIN, WIRE DISC (.2920)C	128
2	2	-	C	7-354778-9	PIN, WIRE DISC (.2890)B	127
2	2	-	C	6-354778-7	PIN, WIRE DISC (.2830)A	126
1	1	-	A	986950-1	WASHER, FLAT PRECISION	125
1	1	-	A	217238-1	GENERAL INSTRUCTION PACKAGE	124
1	1	-	-	4088039	EF APPL INST 408-8039	123
2	2	-	A	1-21046-6	RING, RETAINING, EXT(5/16)FD ADJ ROD	122
						121
1	1	-	A	1-21030-7	PIN, DOWEL(Ø.187x1.50)HSG	120
1	1	-	A	1-21030-1	PIN, DOWEL(Ø.187x.50)LEVER	119
						118
2	2	-	A	5-21028-1	PIN, STD SPRING(Ø.12)FD ADJ ROD	117
1	1	-	A	21899-4	WASHER, FLAT(Ø5/16)SCR ADJ	116
						115
						114
						113
4	4	-	A	21024-5	WASHER, LOCK(NO.10)FD ROD GDE	112
						111
6	6	-	A	21024-4	WASHER, LOCK(NO.8)SHEAR BL	110
						109
2	2	-	A	21018-4	NUT, HEX(4-40)DRAG	108
1	1	-	A	21018-5	NUT, HEX(6-32)FD ADJ PL	107
						106
2	2	-	A	21022-2	NUT, HEX SL(8-32)DRAG STUD	105
						104
						103
2	2	-	A	2-21006-6	SCR, SKT SET(4-40x.62)DRAG	102
1	1	-	A	21009-2	SCR, SKT SET(1/4-20x.25)RAM	101
2	2	-	A	21017-2	SCR, DRIVE(#2x.19)ID PLATE	100
1	1	-	A	1-21002-7	SCR, BHC(6-32x.38)CAM	99
1	1	-	B	461264-1	PLATE, IDENTIFICATION	98
1	1	-	A	6-23715-5	SCR, PAN HD(6-32x1.50)FEED ADJ	97
						96
2	2	-	A	2-21002-2	SCR, BHC(8-32x.50)STRIPPER	95
4	4	-	A	3-21002-0	SCR, SHC(10-32x.88)HSG CAP	94
1	1	-	A	22733-8	SCR, BHC(8-32x.38 LW)ANVIL	93
4	4	-	A	3-21002-3	SCR, BHC(1/4-20x.50)ST GD PL	92
3	3	-	A	2-22733-8	SCR, BHC(1/4-20x.62)BASE PL	91
2	2	-	A	1-21000-3	SCR, SHC(4-40x.25)DRAG	90
						89
						88
2	2	-	A	9-21000-9	SCR, SHC(8-32x.44)SLUG BLADE	87
4	4	-	A	2-21000-8	SCR, SHC(8-32x.62)STRIP GUIDE	86
						85
2	2	-	A	3-21000-7	SCR, SHC(10-32x.75)FEED ROD GDE	84
						83
2	2	-	A	3-21000-6	SCR, SHC(10-32x.62)FEED ADJ PL	82
1	1	-	A	3-21000-4	SCR, SHC(10-32x.38)PIVOT BLOCK	81
2	2	-	A	3-21002-1	SCR, BHC(10-32x1.00)SHEAR PL	80
REF	-	-	A	455745-1	GUARD, WINDOW	79
-	REF	-	A	679532-1	INSERT, GUARD	78
						77
						76
1	1	-	A	238305-5	SPACER, ADJ PLATE	75
1	1	-	A	690603-1	SPRING, ASSIST	74
1	1	-	A	23030-1	SCR, SKT CAP(6-32x.25)CP DSC	73
1	1	-	A	458109-1	WASHER, FLAT (SPECIAL)	72
1	1	-	A	690517-1	SPACER	71
						70
						69
						68
						67
						66
						65
						64
						63
						62
						61
						60
						59
						58
						57
						56
						55
						54
						53
						52
						51
						50
						49
1	-	-	B	690501-3	CAM, POST FEED 1 1/8 ST	48
-	1	-	B	690501-4	CAM, POST-FEED 1 5/8 ST	47
						46
1	1	-	A	690191-1	PLUG, NYLON	45
1	1	-	C	458266-2	RAM	44
1	1	-	A	690125-1	WASHER, LAMINATED	43
1	1	-	A	690124-1	WASHER, RAM	42
1	1	-	A	7-21002-9	BOLT, CRIMPER(5/16-24x1.00)	41
1	1	-	A	23241-6	BALL, STEEL	40
1	1	-	A	690170-1	SPRING, COMPRESSION	39
1	1	-	C	690142-1	DISC, INSULATION	38
1	1	-	D	354777-1	WIRE DISC, PLASTIC	37
1	1	-	A	22480-5	WASHER, SPRING	36
1	1	-	B	690212-1	POST, RAM	35
						34
						33
						32
						31
1	1	-	B	468433-1	GUIDE, REAR (L.H.)	30
1	1	-	B	468433-2	GUIDE, REAR (R.H.)	29
1	1	-	B	2-690451-4	SPACER, STRIPPER	28
1	1	-	A	468281-1	STRIPPER	27
1	1	-	C	463915-1	PLATE, BASE	26
2	2	-	A	22354-8	DRAG, STUD	25
1	1	-	B	463903-1	PLATE, STRIP GUIDE	24
						23
2	2	-	A	2-22281-3	SPRING, DRAG	22
1	1	-	A	464451-2	ARM, STOCK DRAG	21
1	1	-	A	464452-4	DRAG, STOCK	20
1	1	-	B	3-458030-2	GUIDE, STRIP (REAR)	19
1	1	-	C	3-458031-2	GUIDE, STRIP (FRONT)	18
1	1	-	A	1804305-2	GUIDE, FEED ROD	17
1	1	-	A	4-22284-9	SPRING, FEED RETURN	16
						15
2	2	-	B	469633-1	BLOCK, SUPPORT	14
						13
						12
1	1	-	B	461160-3	PLATE, REAR SHEAR	11
2	2	-	B	5-240645-2	SPACER, SHEAR PLATE	10
1	1	-	B	455961-3	PLATE, FRONT SHEAR	9
1	1	-	D	8-238005-3	ANVIL	8
1	1	-	B	469634-2	BLADE, SLUG	7
						6
1	1	-	C	1-238075-9	SPACER, SLUG BLADE	5
1	1	-	B	238009-1	SPACER, BLOCK CRIMPER	4
1	1	-	C	468282-1	CRIMPER, INSULATION	3
1	1	-	B	2-455888-1	SPACER, CRIMPER	2
1	1	-	C	464112-3	CRIMPER, WIRE	1
						0
-2	-1	U/M	DWG SIZE	PART NO	DESCRIPTION	ITEM NO

1	1	-	A	22594-8	NUT, HEX	70
1	1	-	B	240628-1	PLATE, ADJ	69
1	1	-	B	240626-1	SHAFT, PIVOT	68
1	1	-	B	240633-1	BUSHING	67
1	1	-	A	455680-2	LEVER, INTERMEDIATE	66
1	1	-	B	240629-1	BLOCK, PIVOT	65
1	1	-	A	240632-2	SCR, ADJ	64
1	1	-	B	240659-3	PIN, CAM ROLLER	63
1	1	-	B	240658-1	CAM, ROLLER	62
1	1	-	B	454398-1	ROD, FEED	61
						60
1	1	-	C	458268-1	CAP, RAM	59
1	1	-	D	458267-1	HOUSING	58
						57
						56
1	1	-	B	240624-1	PIN, FEED FINGER	55
1	1	-	B	691499-1	SPRING, FEED FINGER	54
1	1	-	B	1-694921-3	FINGER, FEED	53
1	1	-	B	240634-1	LEVER, TERMINAL	52
						51
						50
						49
1	-	-	B	690501-3	CAM, POST FEED 1 1/8 ST	48
-	1	-	B	690501-4	CAM, POST-FEED 1 5/8 ST	47
						46
1	1	-	A	690191-1	PLUG, NYLON	45
1	1	-	C	458266-2	RAM	44
1	1	-	A	690125-1	WASHER, LAMINATED	43
1	1	-	A	690124-1	WASHER, RAM	42
1	1	-	A	7-21002-9	BOLT, CRIMPER(5/16-24x1.00)	41
1	1	-	A	23241-6	BALL, STEEL	40
1	1	-	A	690170-1	SPRING, COMPRESSION	39
1	1	-	C	690142-1	DISC, INSULATION	38
1	1	-	D	354777-1	WIRE DISC, PLASTIC	37
1	1	-	A	22480-5	WASHER, SPRING	36
1	1	-	B	690212-1	POST, RAM	35
						34
						33
						32
						31
1	1	-	B	468433-1	GUIDE, REAR (L.H.)	30
1	1	-	B	468433-2	GUIDE, REAR (R.H.)	29
1	1	-	B	2-690451-4	SPACER, STRIPPER	28