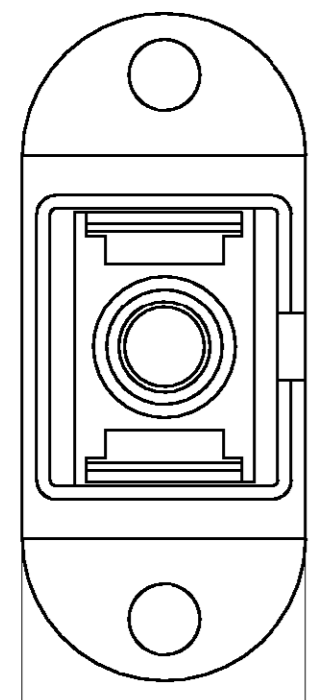
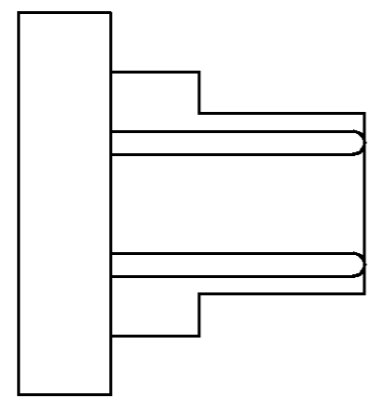


THIS DRAWING IS UNPUBLISHED. RELEASED FOR PUBLICATION .19
 © COPYRIGHT 19 BY AMP INCORPORATED. ALL RIGHTS RESERVED.

| LOC | | DIST | | REVISIONS | | | |
|-----|-----|-------------|-------------------------|-----------|------|----|--|
| P | LTR | DESCRIPTION | DATE | DWN | APVD | | |
| CE | 16 | H | REVISD PER 0UB0-0301-01 | 22JUN2001 | TA | 5B | |

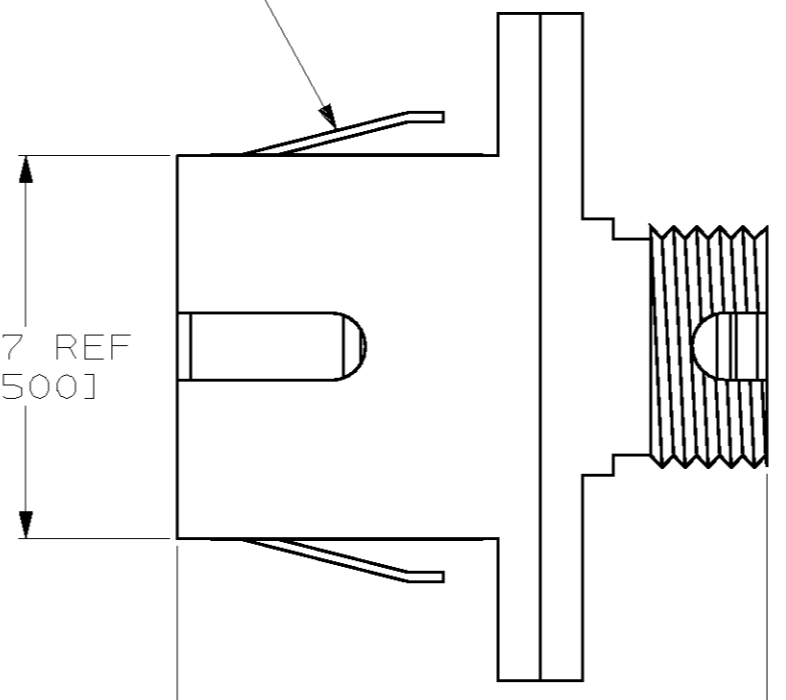


9.3 [.366] REF

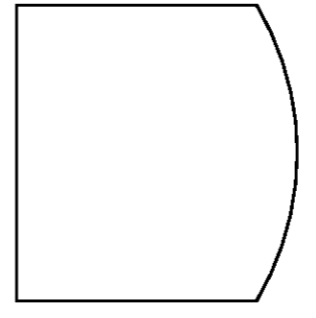


RETENTION CLIP

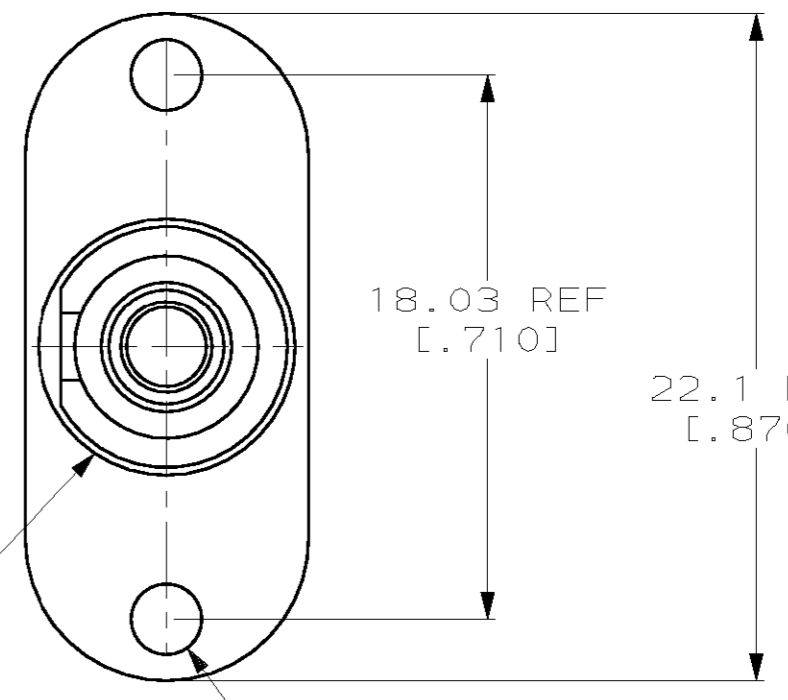
12.7 REF
[.500]



21.21 [.835] REF



M8 X 0.75 6g

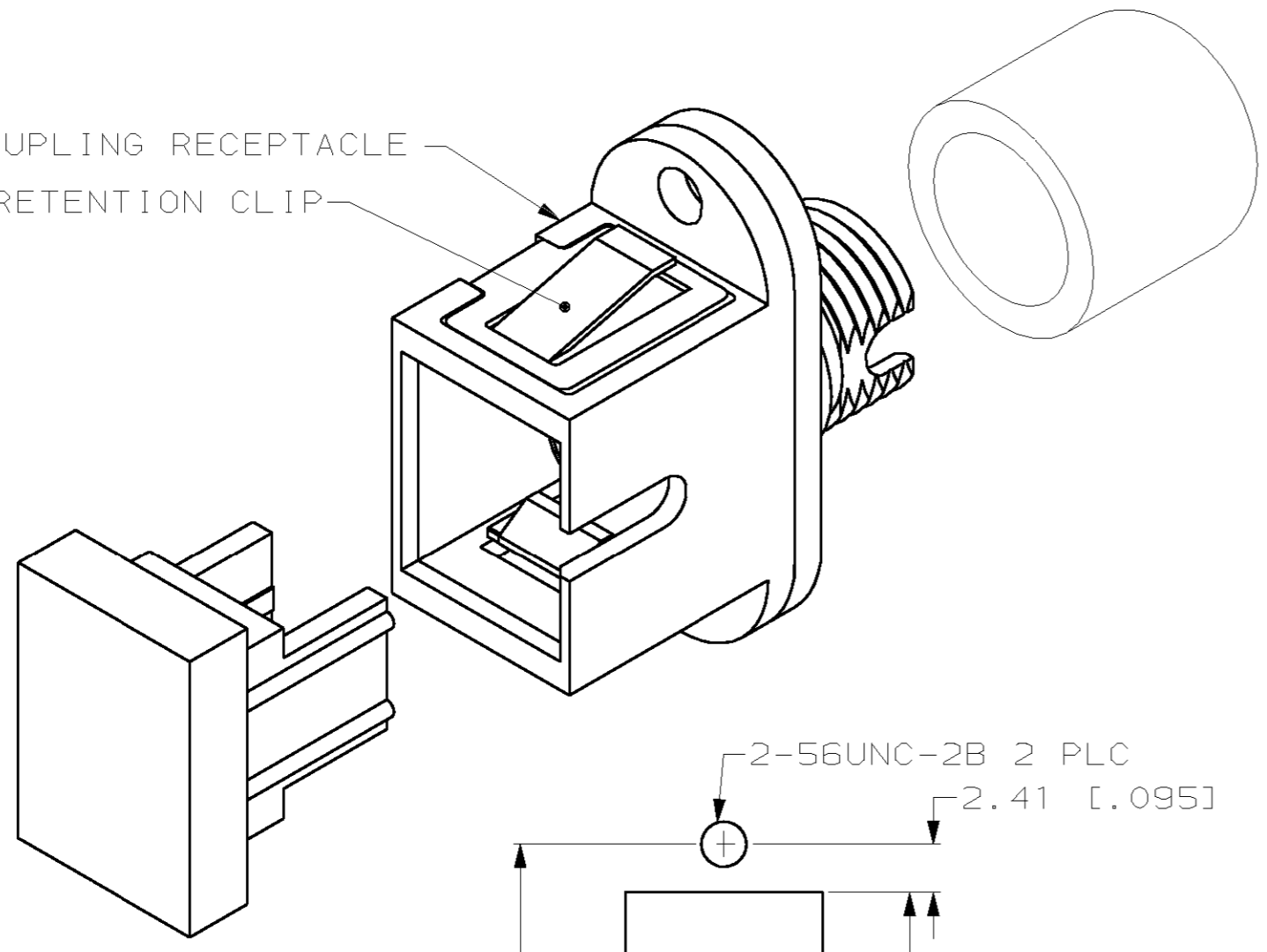


18.03 REF
[.710]

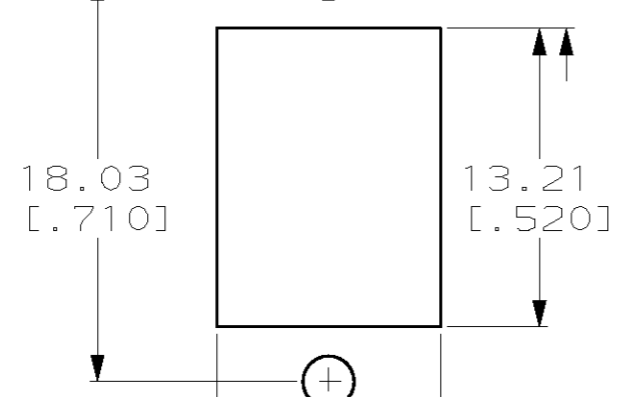
22.1 REF
[.870]

ø2.34 [.092] REF
2 PLC

COUPLING RECEPTACLE
RETENTION CLIP



2-56UNC-2B 2 PLC
2.41 [.095]



18.03
[.710]

13.21
[.520]

4.95
[.195]

9.91
[.390]

SUGGESTED PANEL CUTOUT 4

- 1 MATERIAL:
 BODY: THERMOPLASTIC
 RETENTION CLIP: STAINLESS STEEL
 SLEEVE: PHOSPHOR BRONZE
 SLEEVE: ZIRCONIA
 DUST COVER: VINYL
 DUST COVER: THERMOPLASTIC ELASTOMER
- 2. DIMENSIONS IN [] ARE IN INCHES.
- 3 BULK PACKAGE, 50 PIECES.
- 4 RECOMMENDED PANEL THICKNESS
 1.60±.10 [.063±.004].

| INCLUDED HARDWARE | COLOR | ALIGNMENT SLEEVE | PART NUMBER |
|-------------------|-------|------------------|-------------|
| NONE | BLACK | CERAMIC | 1-502781-4 |
| NONE | BLACK | METAL | 1-502781-3 |
| RETENTION CLIP | BEIGE | CERAMIC | 1-502781-2 |
| RETENTION CLIP | BLUE | CERAMIC | 1-502781-1 |
| RETENTION CLIP | BLACK | CERAMIC | 1-502781-0 |
| RETENTION CLIP | BEIGE | METAL | 502781-9 |
| RETENTION CLIP | BLUE | METAL | 502781-8 |
| RETENTION CLIP | BLACK | METAL | 502781-7 |
| RETENTION CLIP | BEIGE | CERAMIC | 502781-6 |
| RETENTION CLIP | BLUE | CERAMIC | 502781-5 |
| RETENTION CLIP | BLACK | CERAMIC | 502781-4 |
| RETENTION CLIP | BEIGE | METAL | 502781-3 |
| RETENTION CLIP | BLUE | METAL | 502781-2 |
| RETENTION CLIP | BLACK | METAL | 502781-1 |

| | | | | |
|---|--------|--------------------------------|---|--------------------|
| THIS DRAWING IS A CONTROLLED DOCUMENT. | | DWN R.R.SCHAFFER 13JAN98 | AMP Incorporated Harrisburg, PA 17105-3608 | |
| DIMENSIONS: mm [INCHES] | | CHK D.MULHOLLAND 13JAN98 | AMP | |
| TOLERANCES UNLESS OTHERWISE SPECIFIED: 0 PLC ±- 1 PLC ±- 2 PLC ±- 3 PLC ±- 4 PLC ±- ANGLES ±- FINISH - | | APVD J.EBERLE 13JAN98 | AMP SC-FC TYPE COUPLING RECEPTACLE, 2.5mm, HYBRID SERIES | |
| MATERIAL | FINISH | PRODUCT SPEC | SIZE A2 | CAGE CODE 00779 |
| | | APPLICATION SPEC | DRAWING NO C-502781 | RESTRICTED TO |
| | | WEIGHT | SCALE 4:1 | SHEET 1 OF 1 |
| | | CUSTOMER DRAWING | REV H | |