

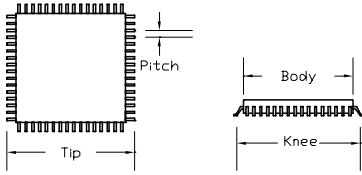
# PA48QD-806 Data Sheet

48 pin QFP socket/48 pin DIP 0.6" plug

## Supported Device/Footprints

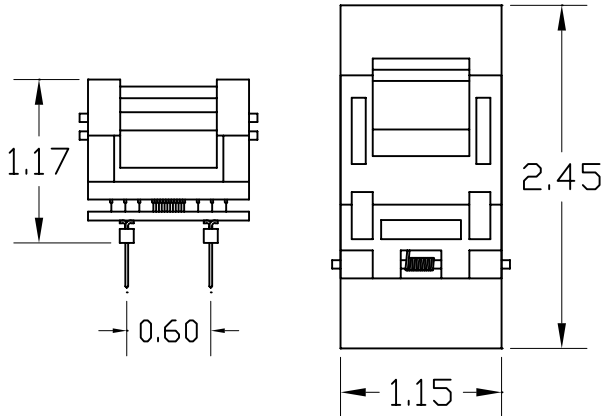
This is a generic package adapter. It takes a QFP and wires all pins to a DIP plug.

The QFP socket accepts packages with the dimension sets listed below:



Socket	Body	Knee	Tip	Pitch
48QJ-806	7.0 mm typ	6 mm typ 7.8 mm max	9 mm typ	0.5 mm

## Adapter Dimensions



PA48QD-806

## Adapter Construction

The adapter is made up of 2 sub-assemblies. They assemble via connectors making the adapter modular. This way the sub-assemblies can be replaced when they wear out.

When disassembling the adapter take care not to bend the pins. When reassembling the adapter note the pin 1 indicators to align the parts correctly.

Adapter	Test Socket	Circuit Board
PA48QD-806	48QJ-806	48QD-806

## Test Socket

LSC Socket	Style	Mfgr/Pn
48QJ-806	Lidded ZIF	Yamaichi IC51-0484-806

## Adapter Wiring

The adapter is wired 1-1. Pin 1 of the QFP device connects to pin 1 of the DIP plug, pin 2 to pin 2, and so on around the adapter.