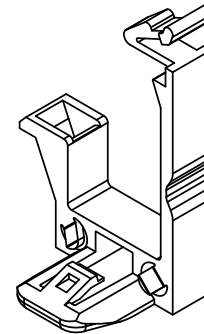
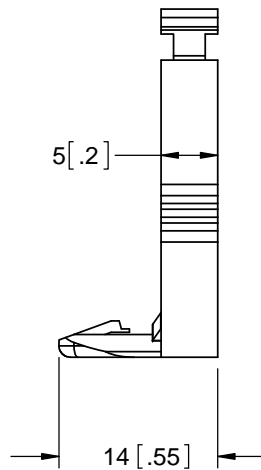
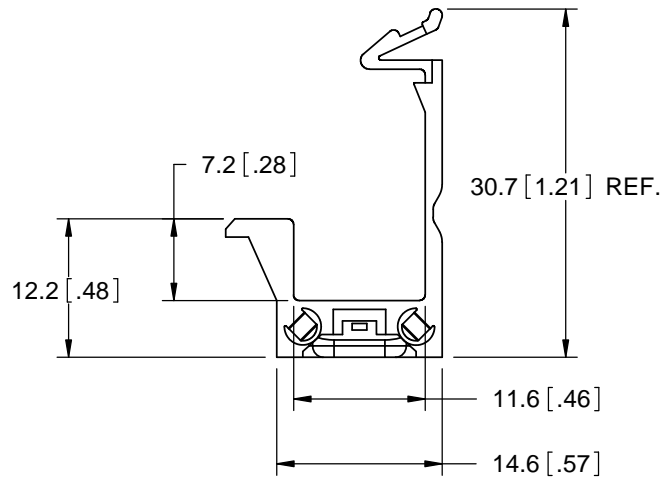
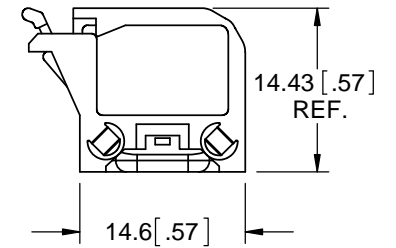


MOUNTING HOLE DIMENSIONS



CLOSED POSITION



NOTES:

1. MATERIAL: NYLON 6/6 UL 94 V-0 (RMS-19)
2. COLOR: NATURAL
3. ALTERNATE UNITS [INCH] ARE CONVERSIONS AND PROVIDED FOR REFERENCE ONLY

TITLE: SIDE MOUNT WIRE SADDLE W/ LOCKING TOP				UNITS = mm [IN]	
CREATED USING SOLIDWORKS	FILE #: SMWSLT-1	DWN: D.Z.	APP: D.Z.	FINAL	
TOLERANCES UNLESS NOTED	SHEET: 1 OF 1	SHEET SIZE: A	DT: 06/23/2011	CHKD: SK	PART #
X≤10=±0.1 10<X≤20=±0.2 X>20=±0.3 ANG.=±1°	RE: RICHCO	RICHCO, INC. ENG@RICHCO-INC.COM (773) 539-4060	SMWSLT-1-19		PRINT TYPE CA

B	SEE CO 200688 FOR CHANGES	SK 07/01/2011
A	RELEASED FOR PRODUCTION	SK 06/23/2011
REV.	DESCRIPTION	ENGR. DATE