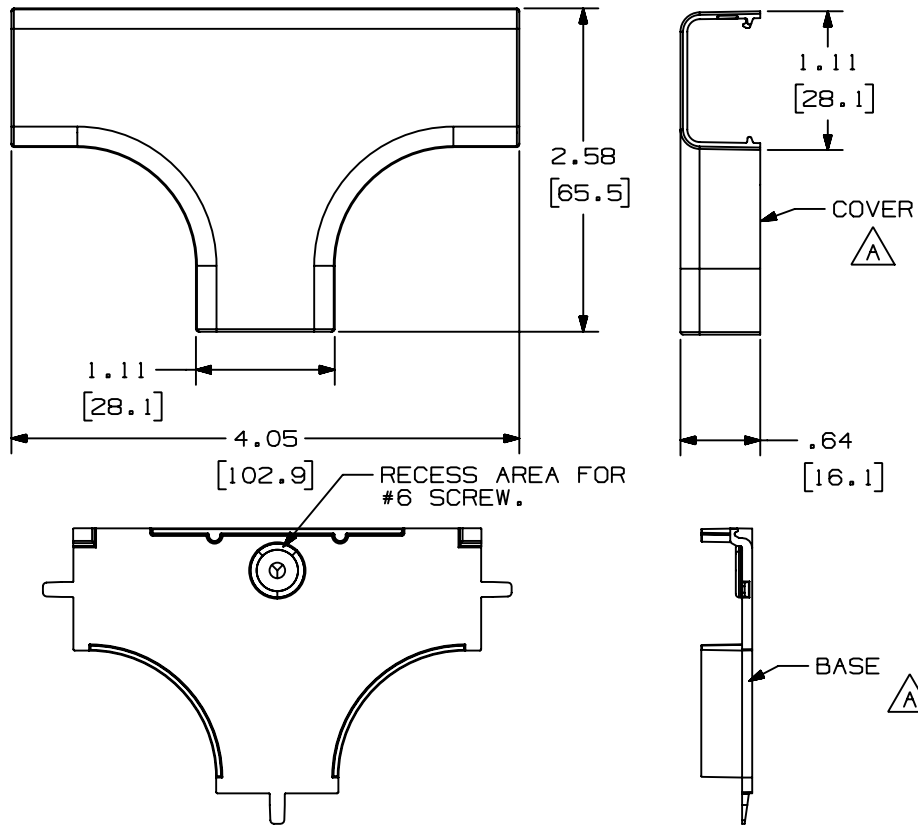
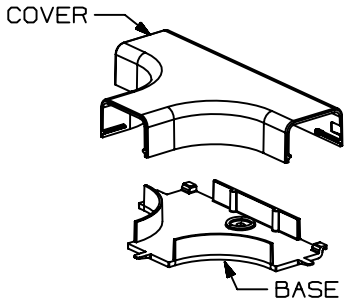


THIS COPY IS PROVIDED ON A RESTRICTED BASIS AND IS NOT TO BE USED IN ANY WAY DETRIMENTAL TO THE INTERESTS OF PANDUIT CORP.



| PANDUIT PART NO. | WEIGHT |
|------------------|------------------------------------|
| TFX5 | 4.9 LB/100 PCS (2238 g/100 PCS) |

- NOTES:
1. SEE CURRENT CATALOG FOR ADDITIONAL PART NUMBER SUFFIXES TO INDICATE COLOR AND OR PACKAGE QUANTITY.
 2. THIS PRODUCT IS INTENDED TO BE USED WITH PANDUIT TYPE LD5 AND LDP5 RACEWAY.
 3. NOMINAL WALL THICKNESSES:
BASE = .080 [2.0]
COVER = .055 [1.4]
 4. THIS PRODUCT IS FEATURED WITH THE TIA/EIA COMPLIANT BEND RADIUS.
 5. DIMENSIONS IN PARENTHESIS ARE IN METRIC.



CAD FILENAME/LAYERS D35012BG_LD_TFX5_02.PRT

PANDUIT CORP. TINLEY PARK, ILLINOIS
 TEE FITTING BASE AND COVER
 (TFX5)
 CUSTOMER DRAWING

UNLESS OTHERWISE SPECIFIED, DIMENSIONAL TOLERANCES ARE:
 (.X) ± (.XXX) ±.015 [.4]
 (.XX) ±.03 [.8] ANGLES ±

UNLESS OTHERWISE SPECIFIED, ALL DIMENSIONS ARE GIVEN IN INCHES, THIRD ANGLE PROJECTION.

| REV | DATE | BY | CHK | DESCRIPTION | ECN | CHK | CUST | SUP |
|-----|----------|------|------|----------------------------|----------|------|------|-----|
| 2 | 03-15-04 | JHEP | RGRO | B. REMOVED CD5 FROM NOTE 2 | 35012-07 | RGRO | RGRO | |
| 1 | 03-29-99 | DW | HIW | A. REVISED PICTURES | 35012-07 | HIW | HIW | |
| R | 10-14-95 | DW | CEF | RELEASED TO PRODUCTION | 35012-07 | CEF | CEF | |

| | | |
|-------------------|---------------|-------------------------|
| DRAWN BY DW | MAT'L: PVC | SCALE NONE |
| DATE 11-14-95 | | DRAWING NO. 35012-07 |
| CHECKED BY CEF | | DWG A SIZE |