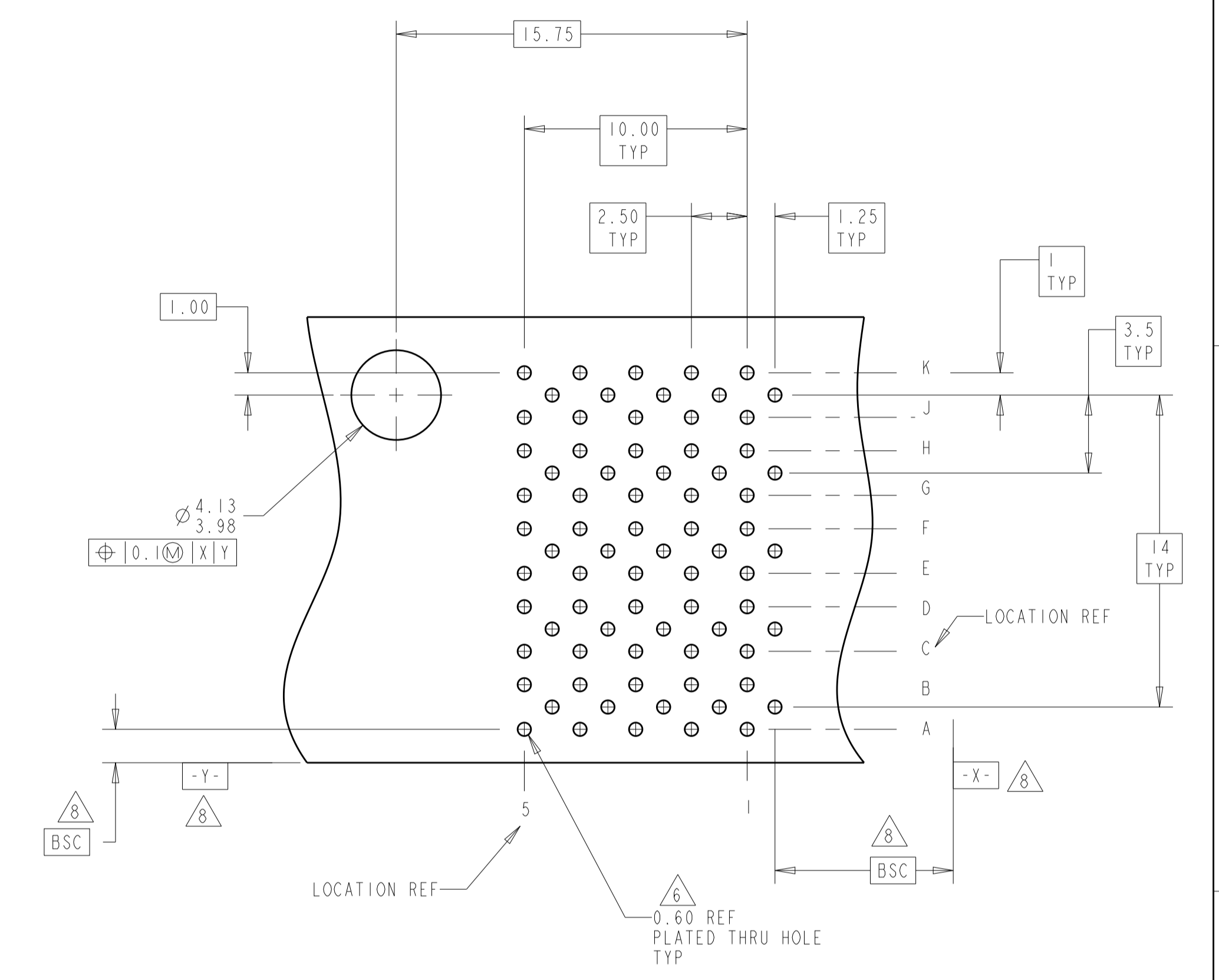
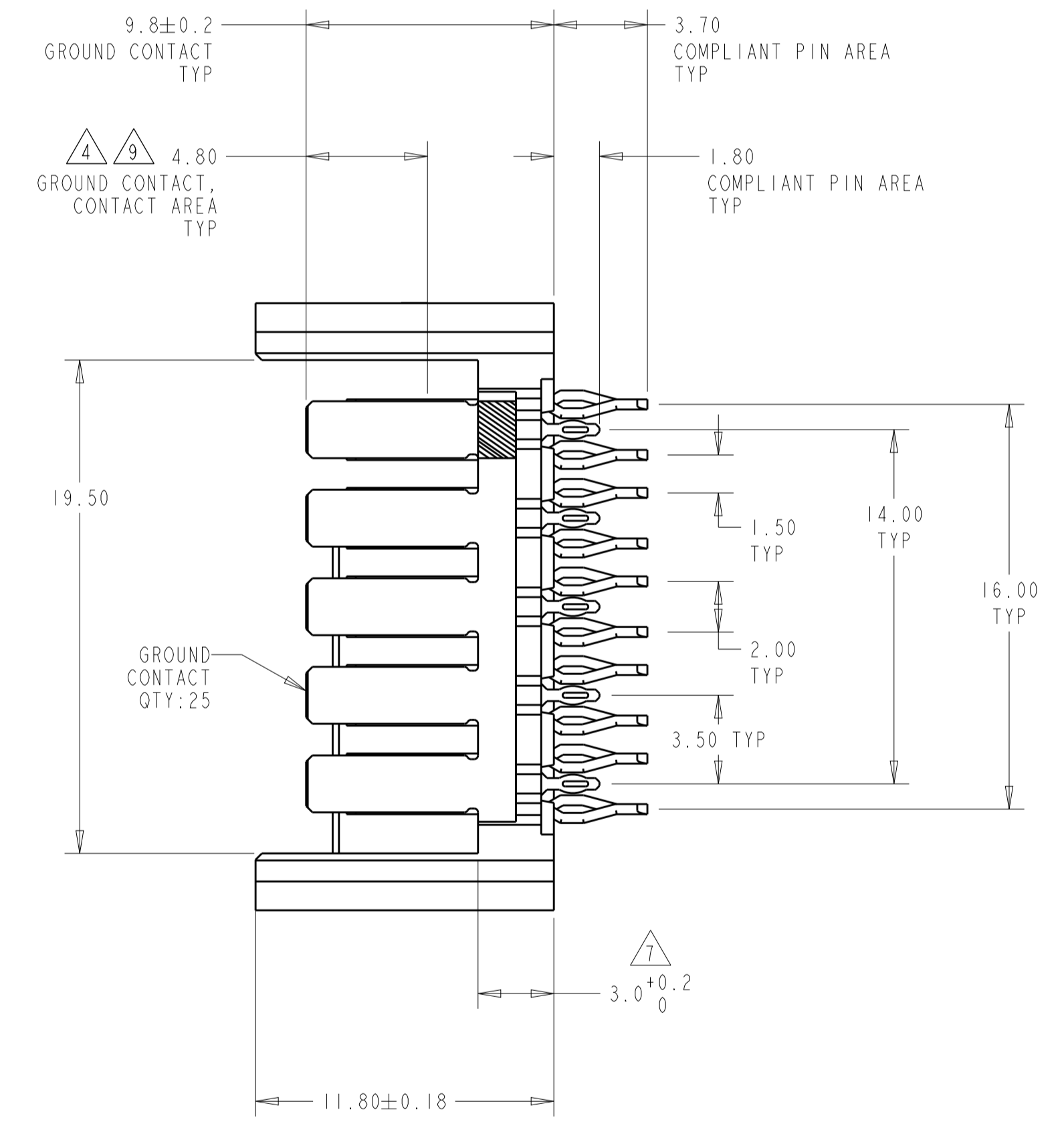
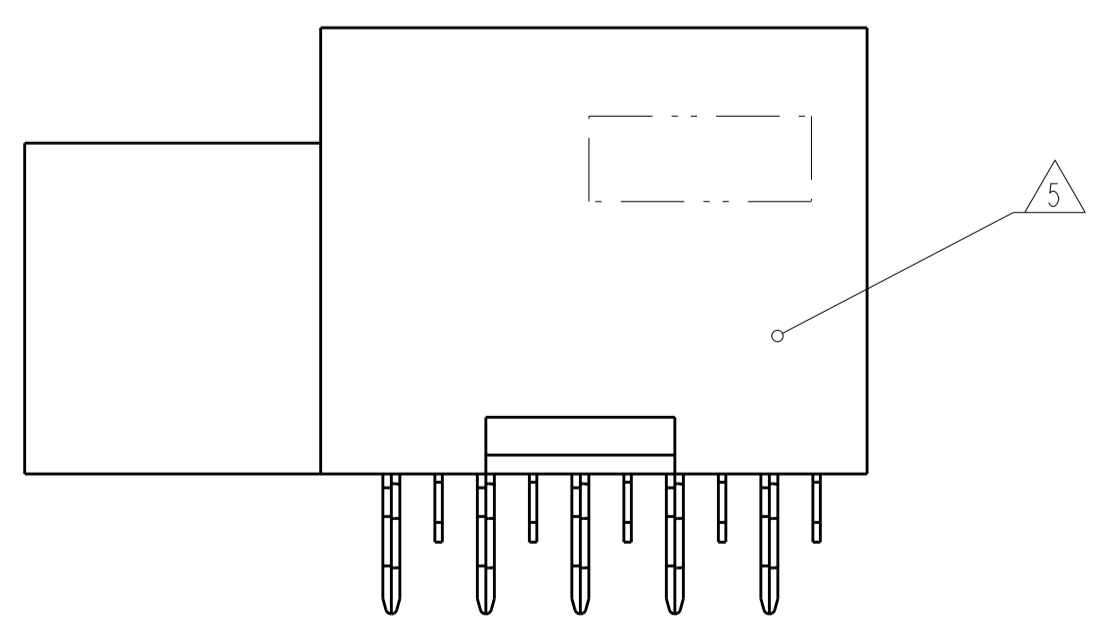
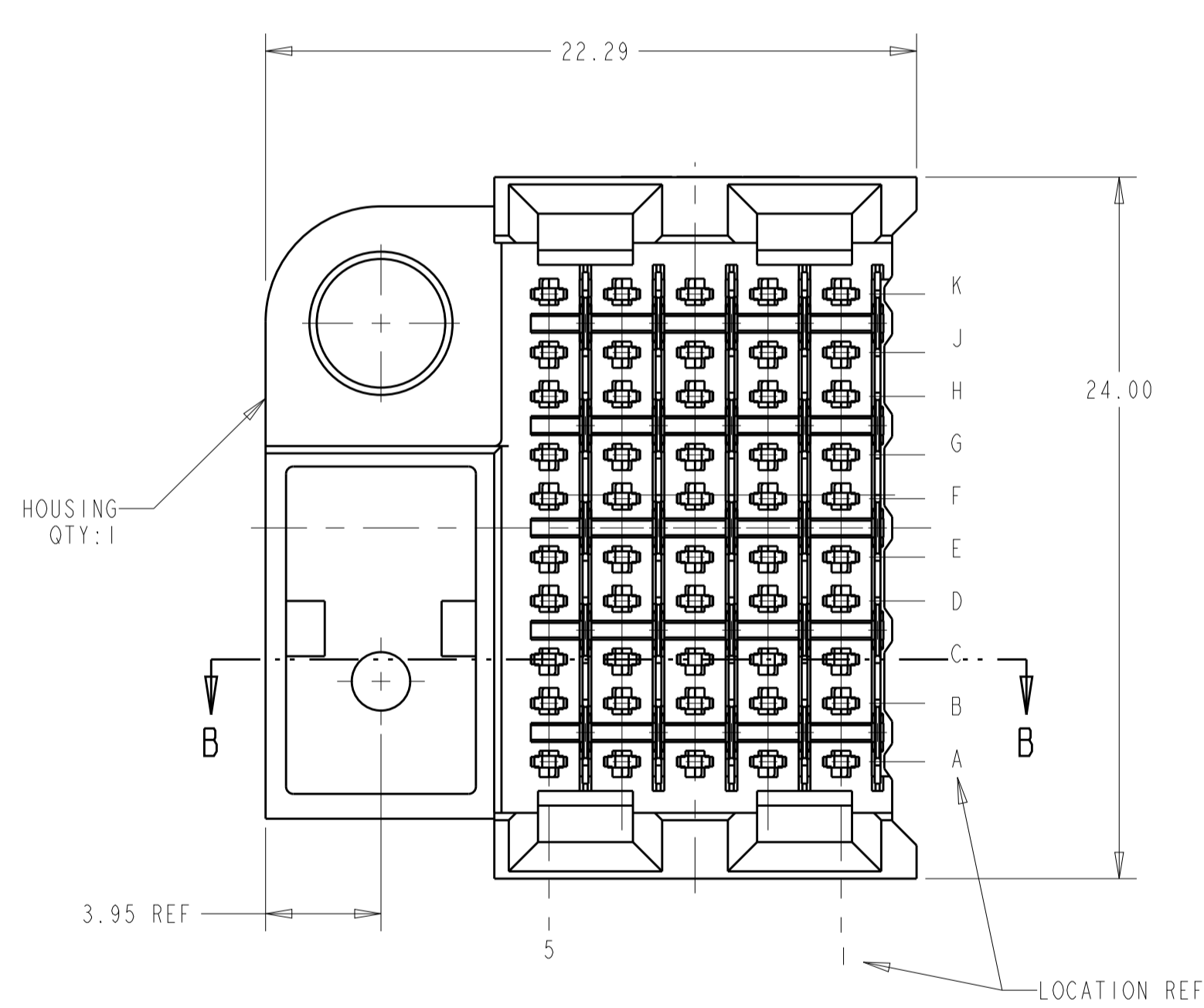
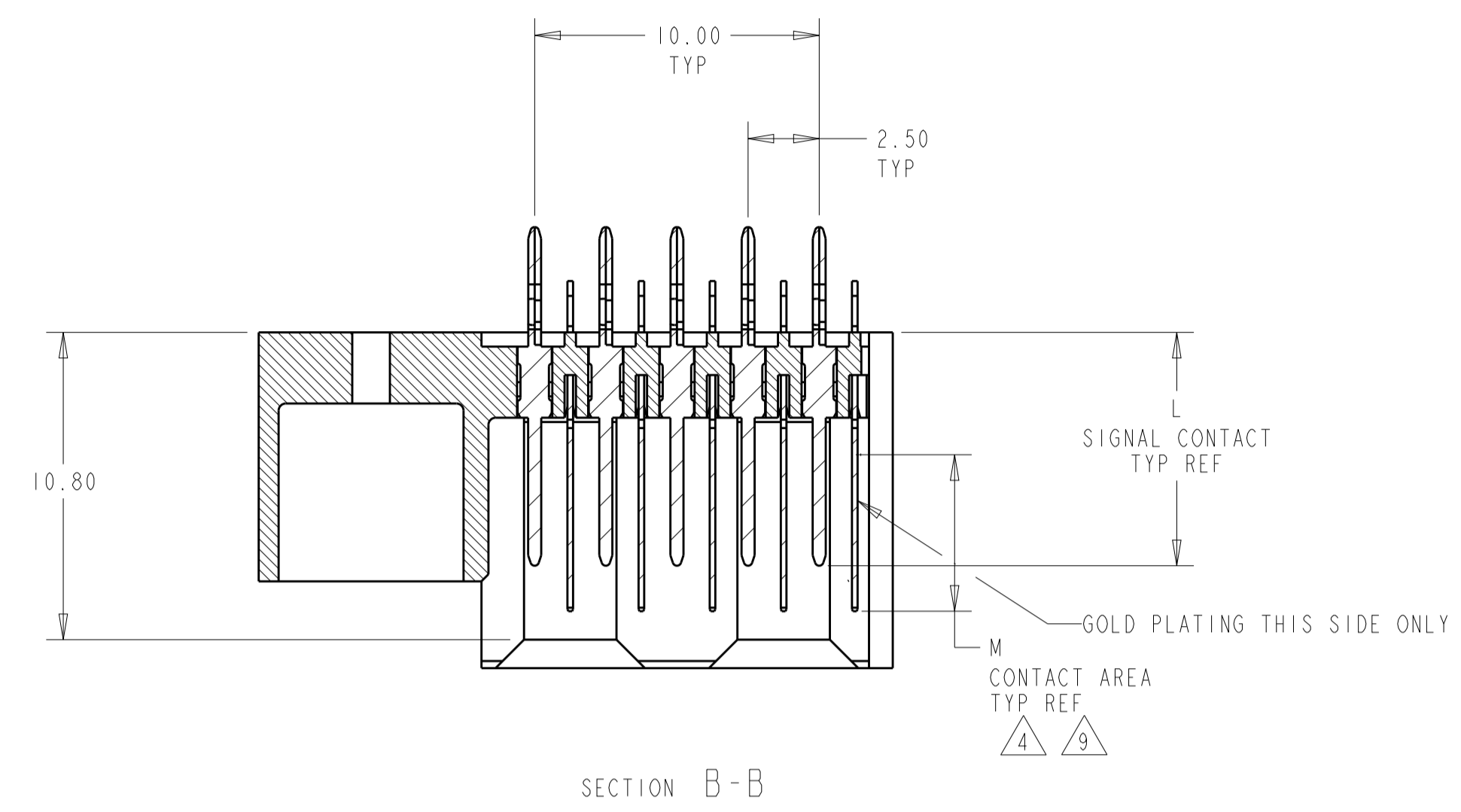


LOC	DIST	REVISIONS					
		P	LTN	DESCRIPTION	DATE	DWN	APVD
AD	00	C2		REVISED PER ECO-12-017504	05OCT2012	KH	JE
		D		REV PER ECO-13-002419	08FEB2013	BC	RP

- 2 PHOSPHOR BRONZE
- 3 LCP, UL94V-0
- 4 FINISH:
CONTACT MATING AREA MEETS THE PERFORMANCE REQUIREMENTS OF
TE CONNECTIVITY PRODUCT SPECIFICATION 108-1957; BASED ON
TELCORDIA GR-1217-CORE; APPLICATIONS IN UNCONTROLLED ENVIRONMENTS.
COMPLIANT PIN AREA: 0.5µm MIN MATTE TIN OVER BASE PLATING.
- 5 CONNECTOR MARKED WITH PART NUMBER AND DATE CODE
- 6 REFERENCE APPLICATION SPEC 114-13020 FOR RECOMMENDED
PLATED THRU HOLE DIAMETER AND PLATING THICKNESS.
- 7 APPLICATION SEATING HEIGHT TO PRINTED CIRCUIT BOARD
- 8 DATUMS AND BASIC DIMENSIONS ESTABLISHED BY CUSTOMER
- 9 CONTACT AREA LUBRICATED WITH BELLCORE APPROVED LUBRICANT
TECHNICAL REFERENCE: GR-1217-CORE, ISSUE 1, NOVEMBER 1995



RECOMMENDED
PRINTED CIRCUIT BOARD
LAYOUT
COMPONENT SIDE OF PRINTED CIRCUIT BOARD

5.50	9.7	5120670-2
5.50	8.2	5120670-1
M	L	PART NUMBER

THIS DRAWING IS A CONTROLLED DOCUMENT.		DWN: B. CARBO 06DEC04	TE Connectivity
DIMENSIONS: mm		CHK: R. PATTERSON 06DEC04	
TOLERANCES UNLESS OTHERWISE SPECIFIED:		APVD: R. PATTERSON 06DEC04	NAME: HEADER ASSEMBLY, 50 POSITION, RIGHT HAND, 10 ROW, Z-PACK HS3
0 PLC ±	1 PLC ±	PRODUCT SPEC	SIZE: A1
2 PLC ±0.13	3 PLC ±0.05	APPLICATION SPEC	CAGE CODE: 00779
4 PLC ±	ANGLES ±	RESTRICTED TO	DRAWING NO: 5120670
MATERIAL: HOUSING: 3	FINISH: 4	WEIGHT: -	SCALE: 5:1
CONTACTS: 2	SIGNAL CONTACT: 4	CUSTOMER DRAWING	SHEET 1 OF 1
			REV D