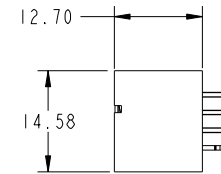
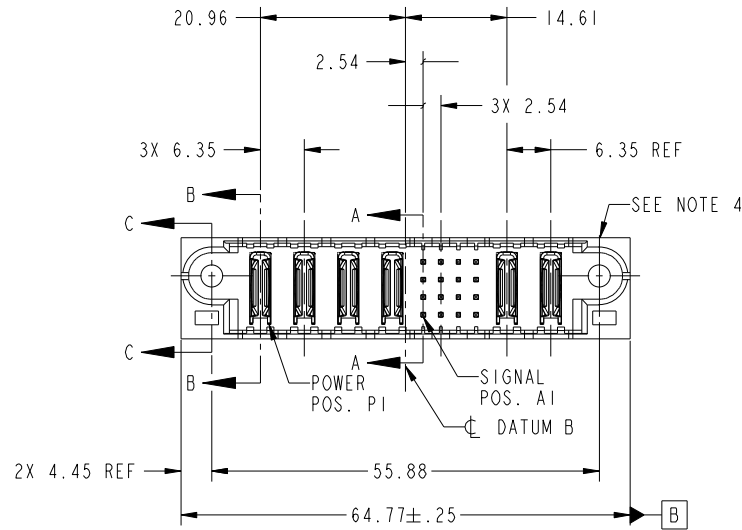


Tous droits strictement reserves. Reproduction ou communication a des tiers interdite sous quelque forme que ce soit sans autorisation écrite du propriétaire. Propriete de c FCI. Droits de reproduction FCI.



All rights strictly reserved. Reproduction or issue to third parties in any form whatever is not permitted without written authority from the proprietor. Property of FCI. Copyright FCI.

PRODUCT NO.	ROWS	POWER				SIGNAL				POWER			
		E1	P1	P2	P3	P4	1	2	3	4	P5	P6	E2
51710-028... NOTE: 3	D C B A												



CODE	DIM "M" MATING LENGTH	CONTACT TYPE
PA	[N/A]	POWER
H	[5.59]	SIGNAL
HA	[N/A]	HOLD-DOWN
E	[6.86]	SIGNAL

mat'l code				tolerances unless otherwise specified		CUSTOMER		
ltr	ecn no.	dr	date	linear	0.X ±0.5	COPY	www.fciconnect.com	
A	DG09-0113	JMG	10/03/07	angles	0.XX ±0.25	projection	title 4P + 16S + 2P VERTICAL SOLDER HEADER	
				dr	0.XXX ±0.13		product family	PwrBlade
				enr	0° ±2°	MIM	size	code 213
				chr		scale	dwg no	sheet 1 of 4
				appd	JM GUO 10/03/07	1:1	51710-028	
sheet index	revision sheet	A 1	A 2	A 3	A 4			
							cage code	22526

Pro/E

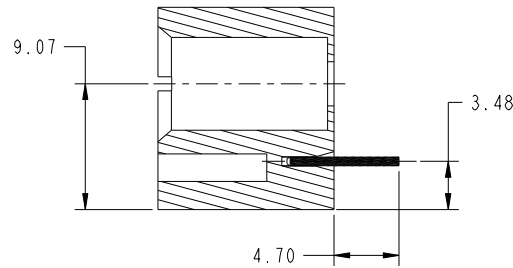
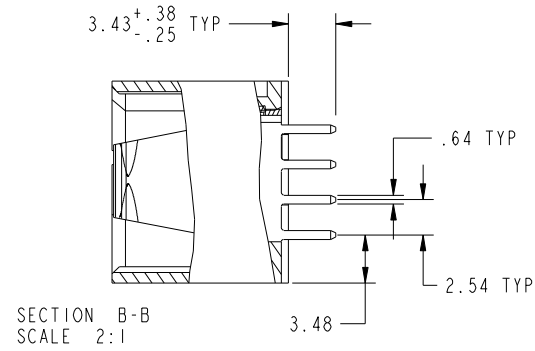
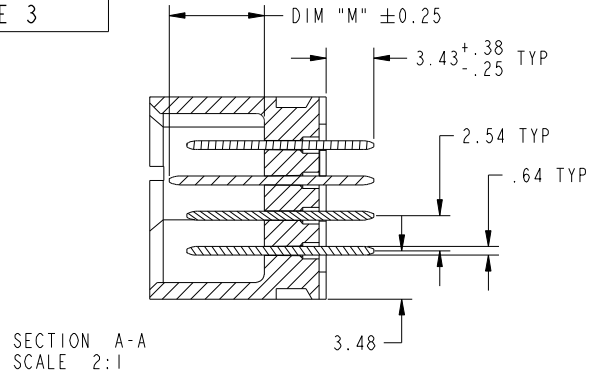
cage code 22526

Tous droits strictement reserves. Reproduction ou communication a des tiers interdite sous quelque forme que ce soit sans autorisation écrite du propriétaire. Propriete de c FCI. Droits de reproduction FCI.

All rights strictly reserved. Reproduction or issue to third parties in any form whatever is not permitted without written authority from the proprietor. Property of FCI. Copyright FCI.



PRODUCT NUMBER  
51710-028--  
NOTE 3



mat'l code				tolerances unless otherwise specified		CUSTOMER		 www.fciconnect.com	
ltr	ecn no.	dr	date	linear	0.X ±0.5	COPY		title	
A					0.XX ±0.25	projection		4P + 16S + 2P	
				angles	0.XXX ±0.13			VERTICAL SOLDER HEADER	
				dr	0° ±2°			product family PwrBlade code	
				enr	JM GUO 10/03/07	scale		213	
				chr	JEROME CHEN 10/03/07	1:1		sheet	
				appd	GARY HSIEH 10/03/07	A		51710-028	
					JOSEPH HSIA 10/03/07			2 of 4	
sheet index		revision sheet							

cage code 22526

Pro/E

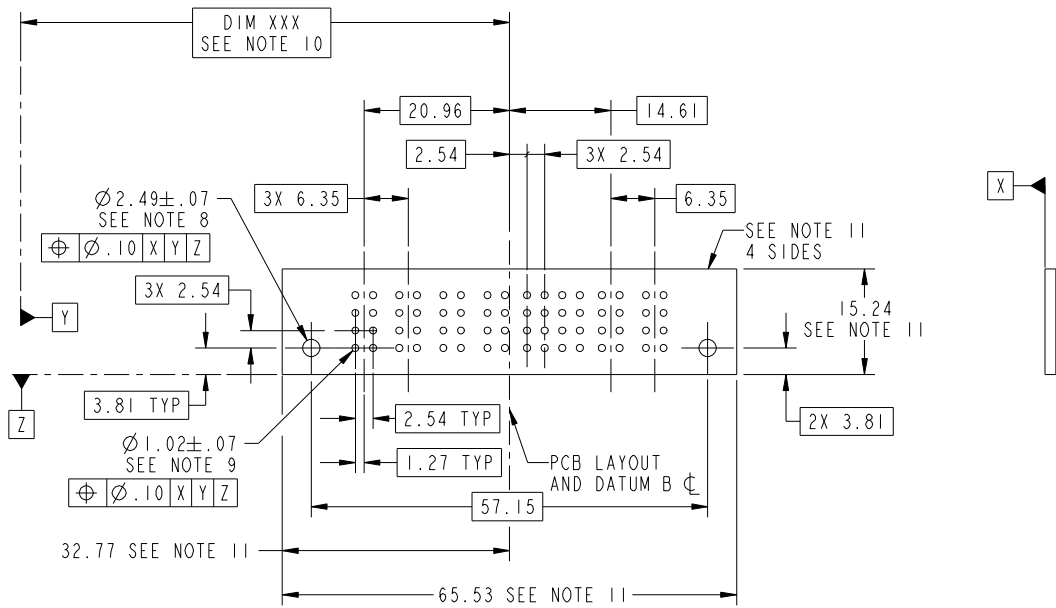
Tous droits strictement reserves. Reproduction ou communication a des tiers interdite sous quelque forme que ce soit sans autorisation écrite du propriétaire. Propriete de c FCI. Droits de reproduction FCI.

All rights strictly reserved. Reproduction or issue to third parties in any form whatever is not permitted without written authority from the proprietor. Property of FCI. Copyright FCI.



PRODUCT NUMBER  
51710-028--  
NOTE 3

1 | 2 | 3 | 4



RECOMMENDED PCB LAYOUT

mat'l code				tolerances unless otherwise specified		CUSTOMER		www.fciconnect.com	
ltr	ecn no.	dr	date	linear	0.X ± 0.5	COPY		title	
A					0.XX ± 0.25	projection		4P + 16S + 2P	
				angles	0.XXX ± 0.13			VERTICAL SOLDER HEADER	
				dr	0° ± 2°	MIM		product family	PwrBlade
				enr	JM GUO 10/03/07	scale		size	code
				chr	JEROME CHEN 10/03/07	1:1		dwg no	213
				appd	GARY HSIEH 10/03/07	A		51710-028	sheet
					JOSEPH HSIA 10/03/07			3 of 4	
sheet index	revision sheet								

cage code 22526

Pro/E

1 | 2 | 3 | 4

Tous droits strictement reserves. Reproduction ou communication a des tiers interdite sous quelque forme que ce soit sans autorisation ecrite du proprietaire. Propriete de c FCI. Droits de reproduction FCI.



All rights strictly reserved. Reproduction or issue to third parties in any form whatever is not permitted without written authority from the proprietor. Property of FCI. Copyright FCI.

PRODUCT NUMBER  
51710-028--  
NOTE 3

NOTES:

1. DIMENSIONS AND TOLERANCES ARE IN ACCORDANCE WITH ASME Y14.5M, 1994 UNLESS OTHERWISE SPECIFIED.

CONNECTOR NOTES:

- 2 HOUSING MATERIAL: UL 94 V-0 GLASS FILLED  
HIGH-TEMP THERMOPLASTIC  
POWER CONTACT MATERIAL: COPPER ALLOY  
SIGNAL PIN MATERIAL: COPPER ALLOY
  - 3. PLATING:  
SEE ITEM 1 & 2 IN PRINT 10064183 FOR PLATING SPEC OF 51710-028 ,51710-028LF RESPECTIVELY.
  - 4 MANUFACTURER'S NAME, P/N, AND DATE CODE TO APPEAR ON THIS SURFACE.
  - 5. PRODUCT SPECIFICATION GS-12-149.  
APPLICATION SPECIFICATION BUS-20-067.
  - 6. PACKAGED IN TRAYS.
- PCB NOTES:
- 7. ALL HOLE DIAMETERS ARE FINISHED HOLE SIZE.
  - 8. MOUNTING HOLES, WHERE APPLICABLE, ARE UNPLATED.
  - 9  $\varnothing 1.151 \pm 0.025$  DRILLED HOLES PLATED WITH  
0.008 MIN SnPb OR Sn OVER .001 [0.03]  
TO 0.08 Cu PLATING TO ACHIEVE  
 $\varnothing 1.02 \pm .07$  HOLE.
  - 10 "DIM XXX" TO BE DETERMINED BY THE CUSTOMER.
  - 11 CONNECTOR KEEP-OUT ZONE.

mat'l code				tolerances unless otherwise specified		CUSTOMER		FCI		www.fciconnect.com	
ltr	ecn no.	dr	date	linear	0.X ± 0.5	COPY		 title 4P + 16S + 2P VERTICAL SOLDER HEADER			
A					0.XX ± 0.25	projection					
				angles	0.XXX ± 0.13	 MIM					
				dr	0° ± 2°	scale		product family	PwrBlade	code	213
				enr	JM GUO 10/03/07	1:1		size	dwg no	sheet	4 of 4
				chr	JEROME CHEN 10/03/07	A		51710-028			
				appd	GARY HSIEH 10/03/07						
					JOSEPH HSIA 10/03/07						
sheet index	revision sheet										

cage code 22526

Pro/E