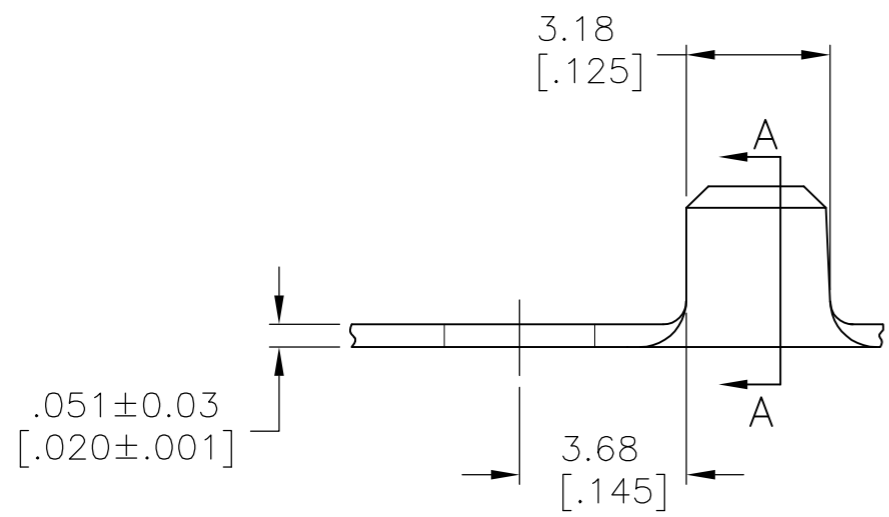
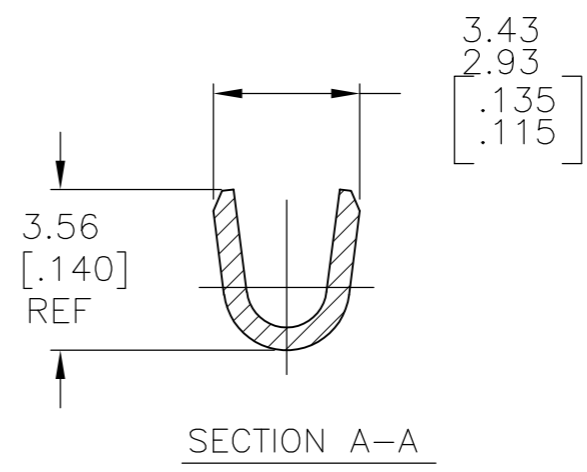
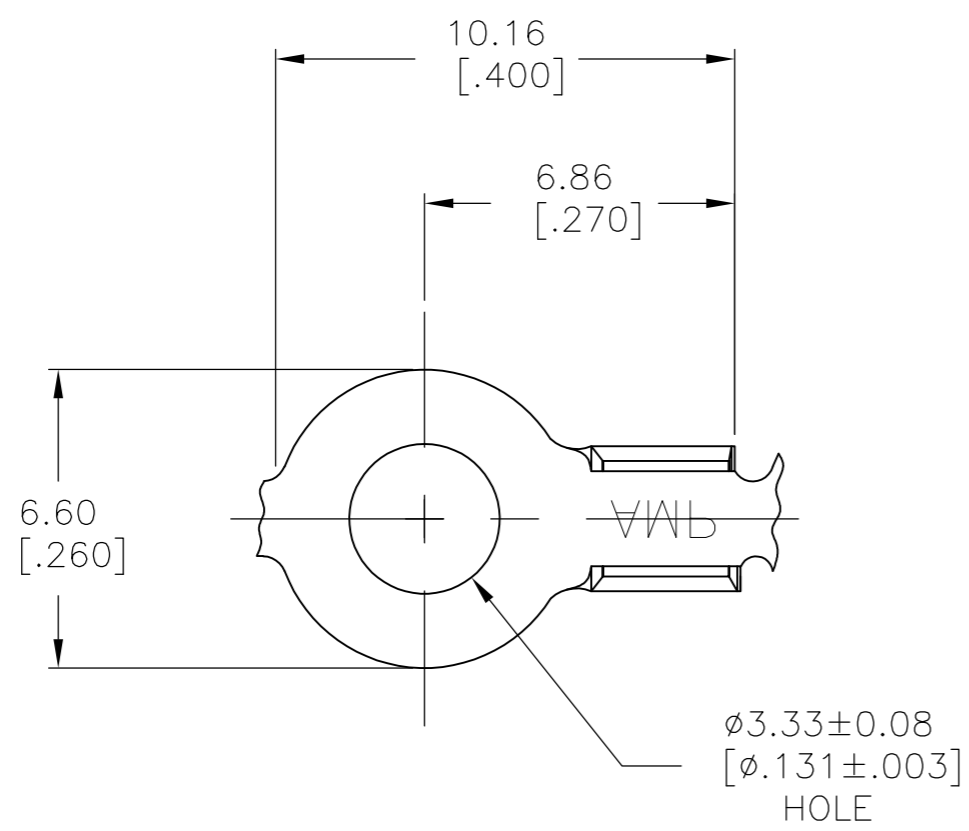


THIS DRAWING IS UNPUBLISHED. RELEASED FOR PUBLICATION
 © COPYRIGHT BY TYCO ELECTRONICS CORPORATION. ALL RIGHTS RESERVED.

LOC	DIST	REVISIONS			
P	LTR	DESCRIPTION	DATE	DWN	APVD
AF	50	E1	REVISED PER ECR-07-030301	19MAY08	HMR JR

1 CONTINUOUS STRIP ON REELS



0.5-1.4mm ² [#20-#16]	63243-1
WIRE RANGE	PART NO

THIS DRAWING IS A CONTROLLED DOCUMENT.		DWN RAGHAVENDRA 19MAY2008	Tyco Electronics Corporation Harrisburg, PA 17105-3608	
DIMENSIONS: mm [INCHES]	TOLERANCES UNLESS OTHERWISE SPECIFIED:	CHK JEFF RUTH 19MAY2008	NAME	
	0 PLC ± -	APVD JEFF RUTH 19MAY2008	RING	
	1 PLC ± -	PRODUCT SPEC	-	
MATERIAL BRASS	2 PLC ± -	APPLICATION SPEC	SIZE	RESTRICTED TO
	3 PLC ± 0.38 [.015]	WEIGHT	A3 00779	-
FINISH TIN OVER COPPER	4 PLC ± -	CUSTOMER DRAWING	DRAWING NO	SCALE
	ANGLES ± ± -	SCALE	C-63243	6:1
		SHEET	SHEET 1 OF 1	
		REV	REV E1	