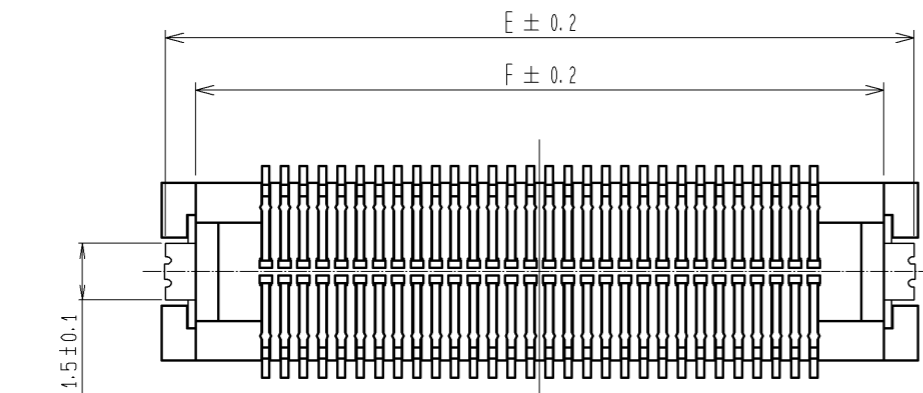
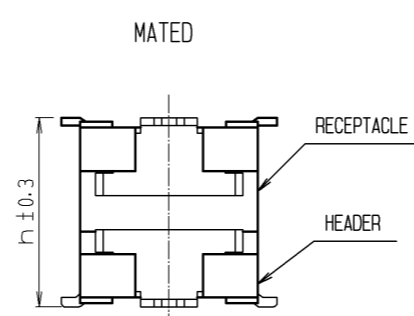


CODE NO.	CONTACT	A	B	C	D	E	F	G	H
CL0683-0062-4-57	20	10	6.8	5.5	4.5	9.8	8.2	10.4	7.6
CL0683-0063-7-57	30	12.5	9.3	8	7	12.3	10.7	12.9	10.1
CL0683-0064-0-57	40	15	11.8	10.5	9.5	14.8	13.2	15.4	12.6
CL0683-0065-2-57	50	17.5	14.3	13	12	17.3	15.7	17.9	15.1
CL0683-0066-5-57	60	20	16.8	15.5	14.5	19.8	18.2	20.4	17.6
CL0683-0067-8-57	70	22.5	19.3	18	17	22.3	20.7	22.9	20.1
CL0683-0068-0-57	80	25	21.8	20.5	19.5	24.8	23.2	25.4	22.6

NOTES ① LEAD CO-PLANARITY INCLUDE REINFORCED METAL FITTINGS SHALL BE 0.1mm MAX.
 ② WATCH NOT LET THE CONTACTS TOUCH THE SECTION ESPECIALLY WHEN THE PADS OF AREA NOT RESIST FINISHED.



MATED HEIGHT(h)		(mm)
HEADER NO.	RECEPTACLE NO.	
	DF17#(4.0)-*DS-0.5V(57)	
DF17#(2.0)-*DP-0.5V(57)		6
DF17#(4.0)-*DP-0.5V(57)		8



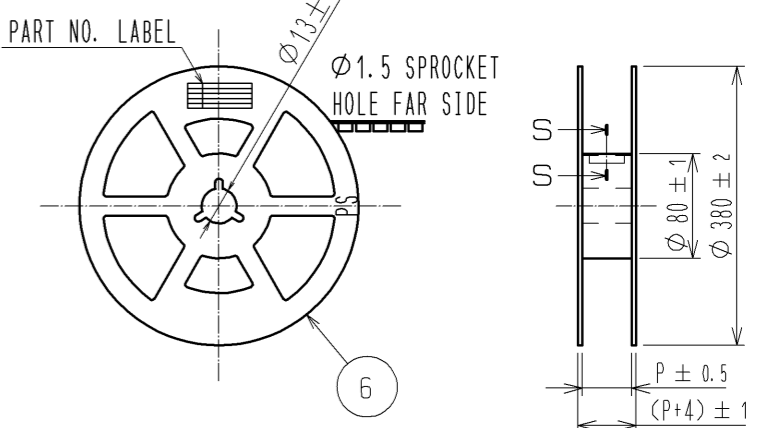
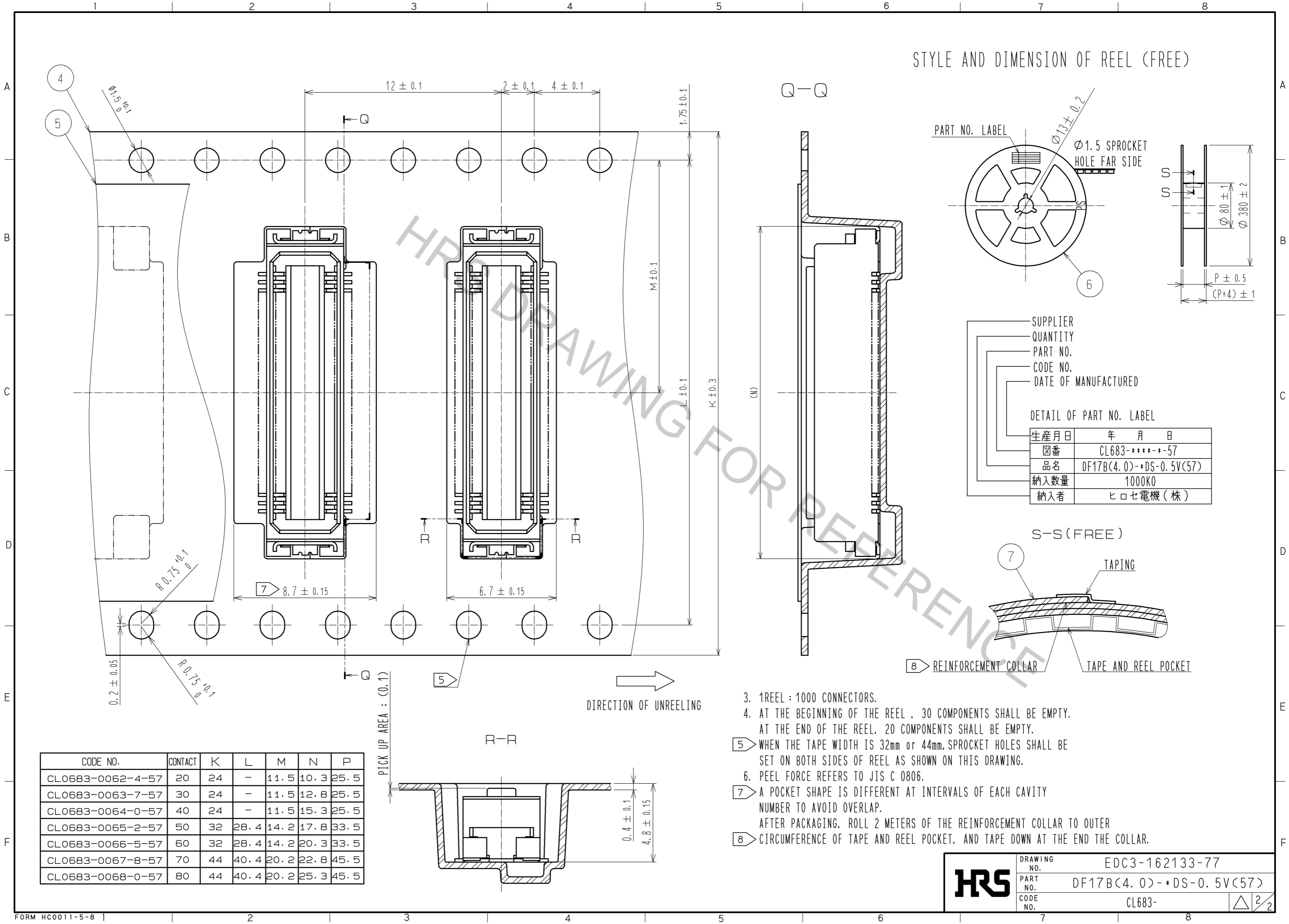
2	POLYAMIDE (PA6T)	WHITE BEIGE, UL94V-0	7	PS	CLEAR (REINFORCEMENT COLLAR)
			6	PS	BLACK(PLASTIC REEL)
			5	POLYESTER	CLEAR (COVER TAPE)
1	PHOSPHOR BRONZE	CONTACT AREA : GOLD PLATED 0.1μm min LEAD AREA : TIN PLATED 1μm min UNDER PLATING : NICKEL PLATED 1μm min	4	PS	CLEAR (EMBOSSED CARRIER TAPE)
			3	PHOSPHOR BRONZE	TIN PLATED : 1μm min UNDER PLATING : NICKEL PLATED 1μm min

NO.	MATERIAL	FINISH . REMARKS	NO.	MATERIAL	FINISH . REMARKS
UNITS	mm	SCALE	5 : 1	COUNT	DESCRIPTION OF REVISIONS
DESIGNED		CHECKED		DATE	

APPROVED : KH. IKEDA 11.12.15
 CHECKED : TS. MIYAZAKI 11.12.15
 DESIGNED : YH. MICHIDA 11.12.15
 DRAWN : MS. SATO 11.12.14

DRAWING NO. EDC3-162133-77
 PART NO. DF17B(4.0)-*DS-0.5V(57)
 CODE NO. CL683-

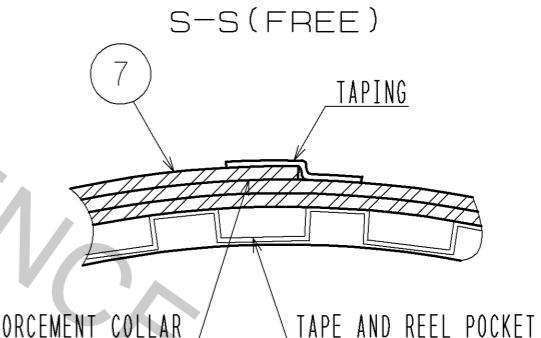
STYLE AND DIMENSION OF REEL (FREE)



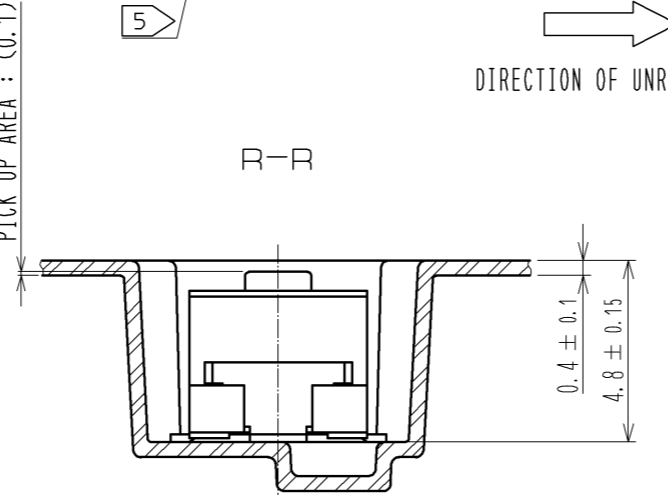
SUPPLIER
QUANTITY
PART NO.
CODE NO.
DATE OF MANUFACTURED

DETAIL OF PART NO. LABEL

生産月日	年 月 日
図番	CL683-****-57
品名	DF17B(4.0)-*DS-0.5V(57)
納入数量	1000K0
納入者	ヒロセ電機(株)



CODE NO.	CONTACT	K	L	M	N	P
CL0683-0062-4-57	20	24	-	11.5	10.3	25.5
CL0683-0063-7-57	30	24	-	11.5	12.8	25.5
CL0683-0064-0-57	40	24	-	11.5	15.3	25.5
CL0683-0065-2-57	50	32	28.4	14.2	17.8	33.5
CL0683-0066-5-57	60	32	28.4	14.2	20.3	33.5
CL0683-0067-8-57	70	44	40.4	20.2	22.8	45.5
CL0683-0068-0-57	80	44	40.4	20.2	25.3	45.5



DIRECTION OF UNREELING

3. 1 REEL : 1000 CONNECTORS.
4. AT THE BEGINNING OF THE REEL , 30 COMPONENTS SHALL BE EMPTY. AT THE END OF THE REEL, 20 COMPONENTS SHALL BE EMPTY.
5. WHEN THE TAPE WIDTH IS 32mm or 44mm, SPROCKET HOLES SHALL BE SET ON BOTH SIDES OF REEL AS SHOWN ON THIS DRAWING.
6. PEEL FORCE REFERS TO JIS C 0806.
7. A POCKET SHAPE IS DIFFERENT AT INTERVALS OF EACH CAVITY NUMBER TO AVOID OVERLAP. AFTER PACKAGING, ROLL 2 METERS OF THE REINFORCEMENT COLLAR TO OUTER
8. CIRCUMFERENCE OF TAPE AND REEL POCKET, AND TAPE DOWN AT THE END THE COLLAR.

HRS	DRAWING NO.	EDC3-162133-77
	PART NO.	DF17B(4.0)-*DS-0.5V(57)
	CODE NO.	CL683-
		\triangle 2/2