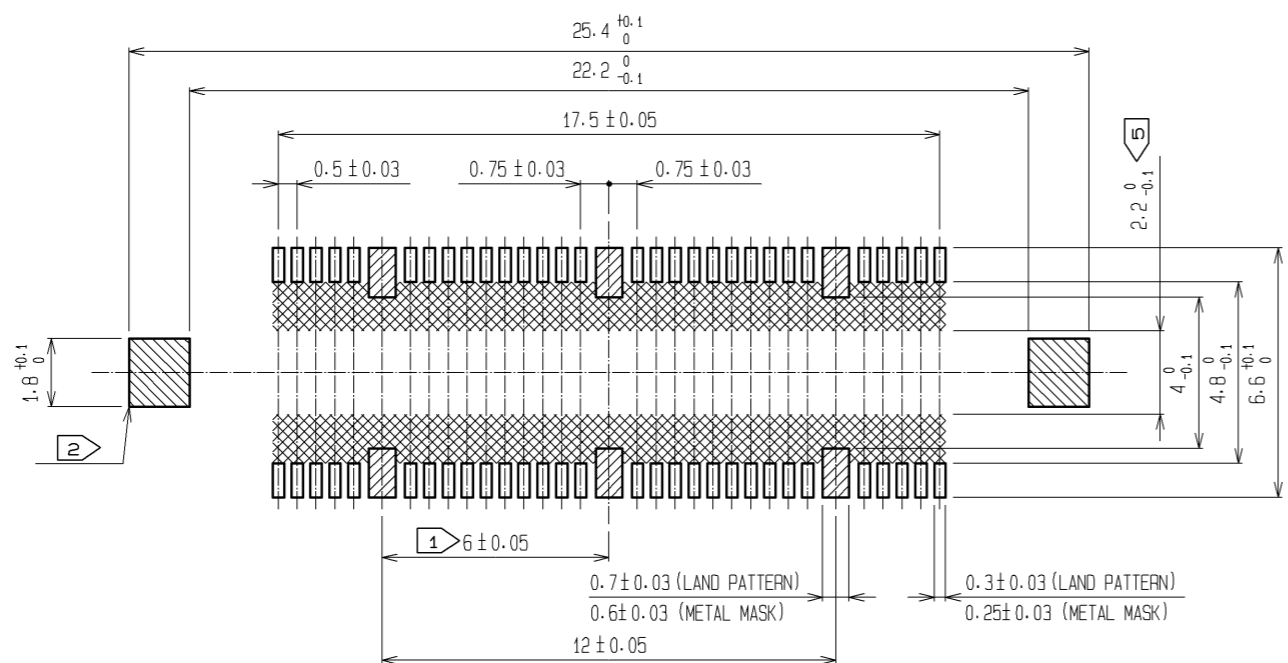


RECOMMENDED LAND PATTERN DIMENSION OF PCB
(RECOMMENDED METAL MASK THICKNESS: 0.15mm)

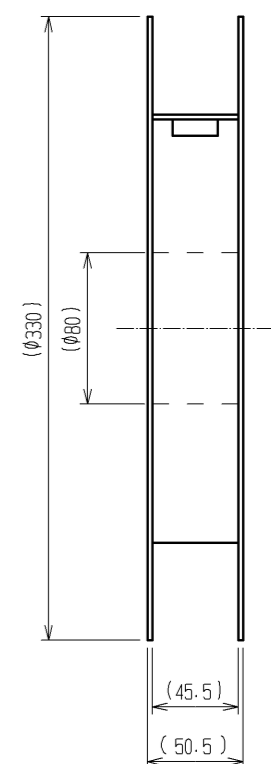
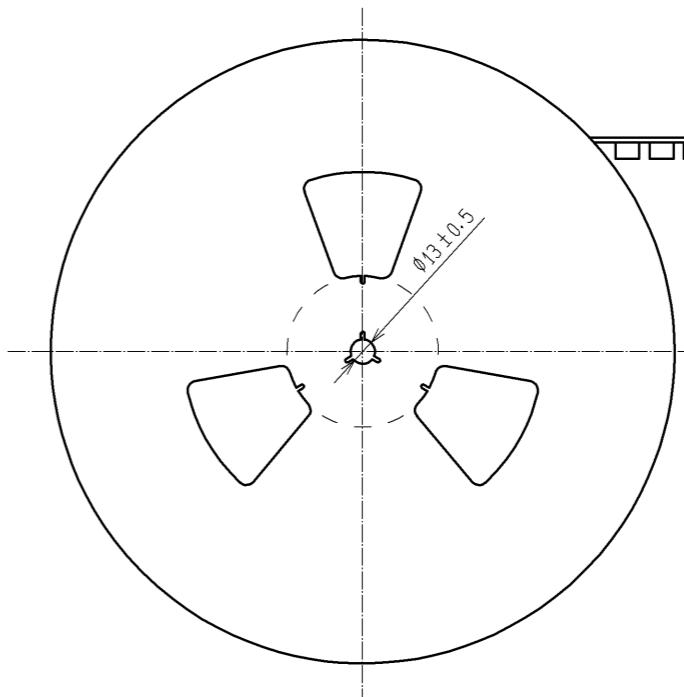
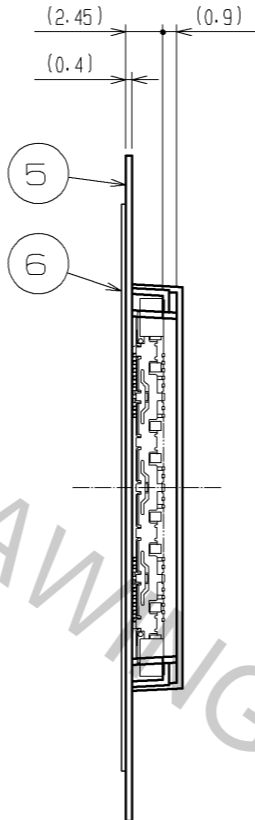
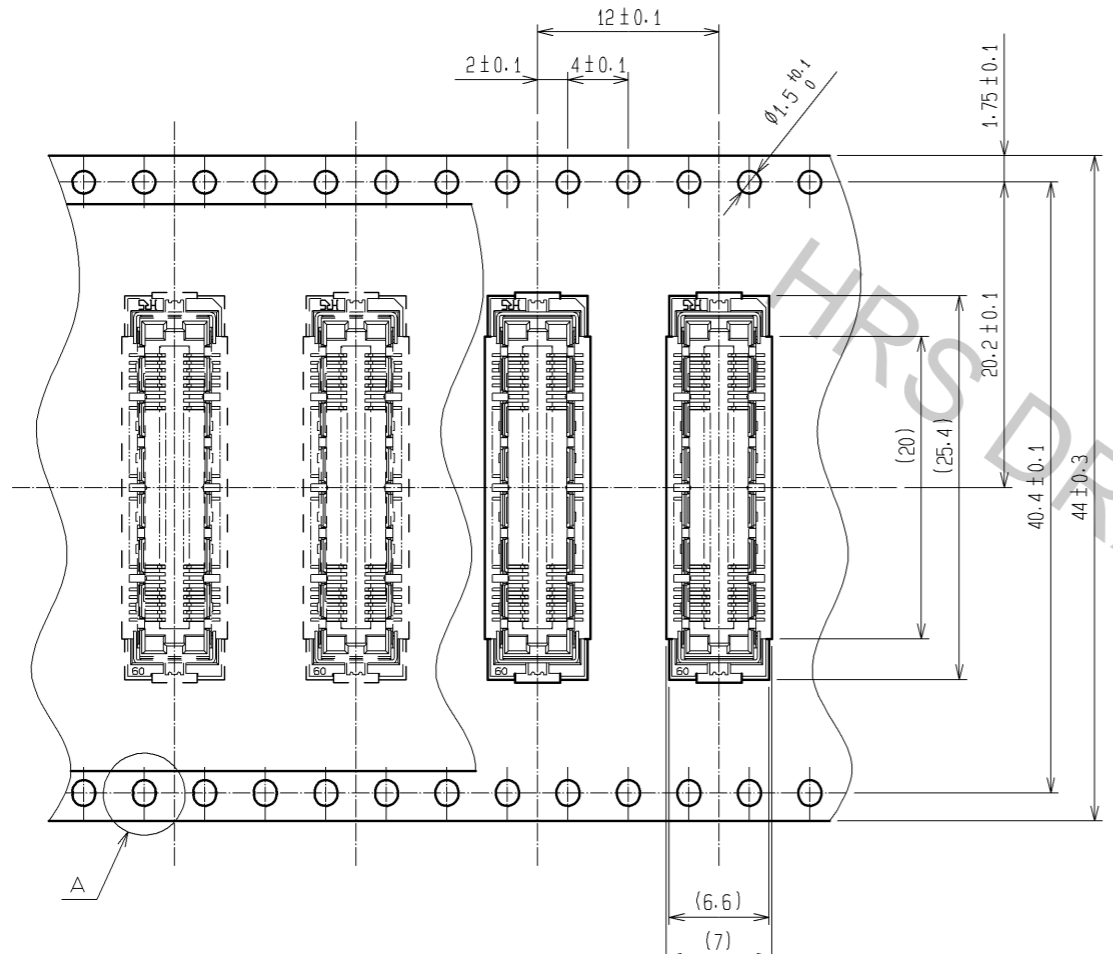


- NOTES
- ① 6 HATCHED PARTS: GROUND CIRCUIT.
 - ② 2 HATCHED PARTS: GROUND CIRCUIT.
 - ③ SMT LEAD-COPLANARITY: 0.1 MAX.
 - ④ THIS PRODUCT HAS NO POLARITY TO PATTERN FOR MOUNTING.
 - ⑤ MAKE SURE WIDTH OF PATTERN IS WITHIN THAT OF LAND .OR LEAD MAY TOUCH PATTERN. (THIS APPLIES TO HATCHED AREA.)
 - ⑥ TO BE EMBOSSED CARRIER TAPED AS SPECIFIED IN SHEET 2.
 - ⑦ THE DIMENSIONS IN PARENTHESES ARE FOR REFERENCE.

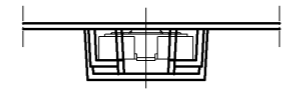
3, 4	PHOSPHOR BRONZE	TIN PLATING						
		CONTACT AREA : GOLD 0.1μm min.						
2	PHOSPHOR BRONZE	LEAD AREA : GOLD FLASH						
		UNDER PLATING : NICKEL 1μm min.	6	PET	TOP COVER TAPE			
1	LCP	BEIGE UL94V-0	5	PS	EMBOSSED CARRIER TAPE			
NO.	MATERIAL	FINISH . REMARKS	NO.	MATERIAL	FINISH . REMARKS			
UNITS	mm	SCALE	5 : 1	COUNT	DESCRIPTION OF REVISIONS	DESIGNED	CHECKED	DATE
		APPROVED : HS. OKAWA	08.06.13	DRAWING NO.		EDC3-152636-21		
		CHECED : HT. YAMAGUCHI	08.06.13	PART NO.		FX11B-60S/6-SV(91)		
		DESIGNED : SY. KAMIGA	08.06.13	CODE NO.		CL573-0712-2-91		
		DRAWN : HK. SUNADORI	08.06.13			1/2		

DRAWING FOR PACKING(2:1)

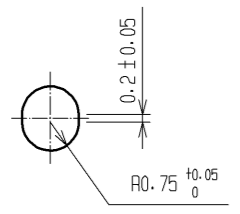
REELED DIMENSION(Free)



THE DIRECTION OF PULLING OUT →



A(5:1)



- NOTES
- 1 1REEL : 1000 CONNECTORS.
 - 2 MINIMUM 10 COMPARTMENTS FROM BOTH REEL ENDS REMAIN EMPTY.
 - 3 THIS PRODUCT HAS NO POLARITY TO TAPE AND REEL PACKAGING.
 - 4 THE DIMENSIONS IN PARENTHESES ARE FOR REFERENCE.

HRS	DRAWING NO.	EDC3-152636-21
	PART NO.	FX11B-60S/6-SV(91)
	CODE NO.	CL573-0712-2-91
		△ 2/2