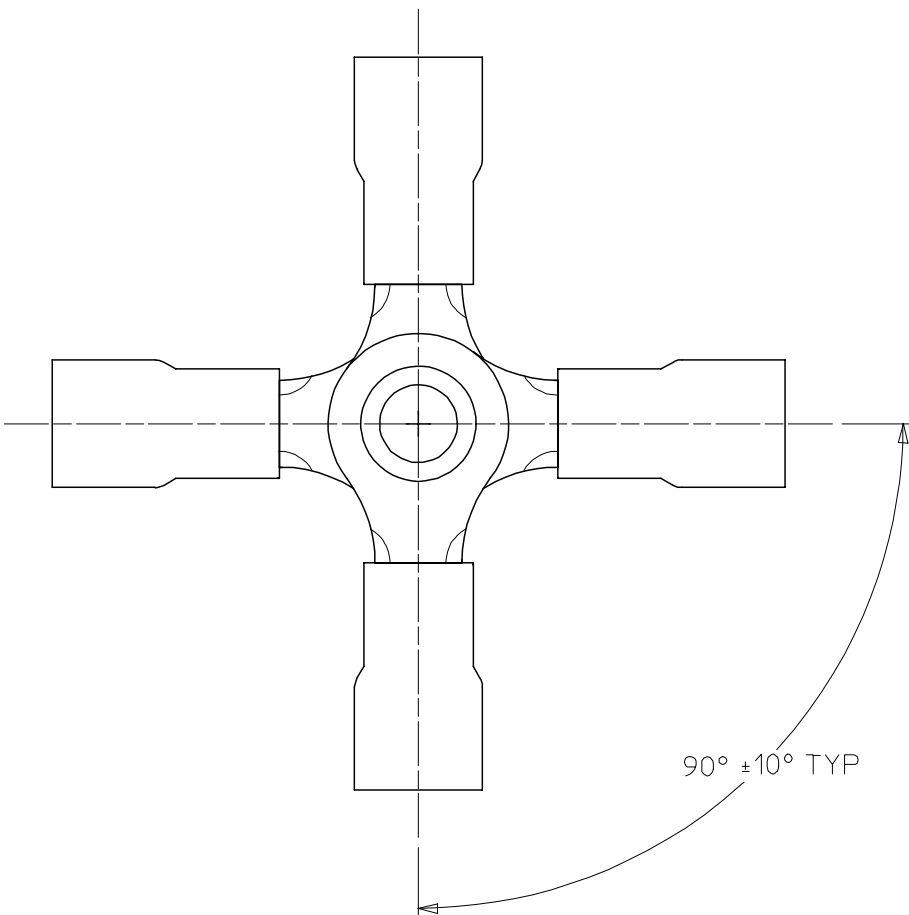


19204

ASSEMBLY NUMBER	
MATERIAL NUMBER	ENGINEERING NUMBER
192040001	A-1XC
192040003	A-2XCX
192040006	A-3XC
192040008	A-5XC
192040011	B-1XC
192040013	B-2XCX
192040015	B-3XC
192040017	B-5XC
192040021	B-8XC
192040023	C-1XC
192040025	C-2XCX
192040027	C-3XC
192040029	C-5XC
192040019	C-8XC
191640284	SA-2XCX
191640041	SB-2XCX
191640285	SC-2XCX



90° ±10° TYP

SALES DRAWING

WAS 6525-01/C,-02/C EC NO: ETC2003-0305 DRWN: DMYRICK 2003/05/16 CHK'D: RWD 2003/05/16 APPR: RDEROSS 2003/05/16	QUALITY SYMBOLS	GENERAL TOLERANCES (UNLESS SPECIFIED)	SCALE NTS	DESIGN UNITS INCH	THIRD ANGLE PROJECTION	REVISE ON CAD ONLY	
	- 0 - 0	mm INCH 4 PLACES ± --- ± --- 3 PLACES ± --- ± .005 2 PLACES ± 0.13 ± .01 1 PLACE ± 0.25 ± --- ANGULAR ± 1/2°	DIMENSION STYLE IN/MM	DRAWN BY RWD DATE 03/05/14	TITLE 4-WAY CONNECTOR ASSEMBLY		
	DRAFT WHERE APPLICABLE MUST REMAIN WITHIN DIMENSIONS	APPROVED BY RWD DATE 03/05/14	MATERIAL NO. (SEE CHART)		MOLEX INCORPORATED		
		THIS DRAWING CONTAINS INFORMATION THAT IS PROPRIETARY TO MOLEX INCORPORATED AND SHOULD NOT BE USED WITHOUT WRITTEN PERMISSION		DOCUMENT NO. SD-19204-002	SHEET NO. 1 OF 1		