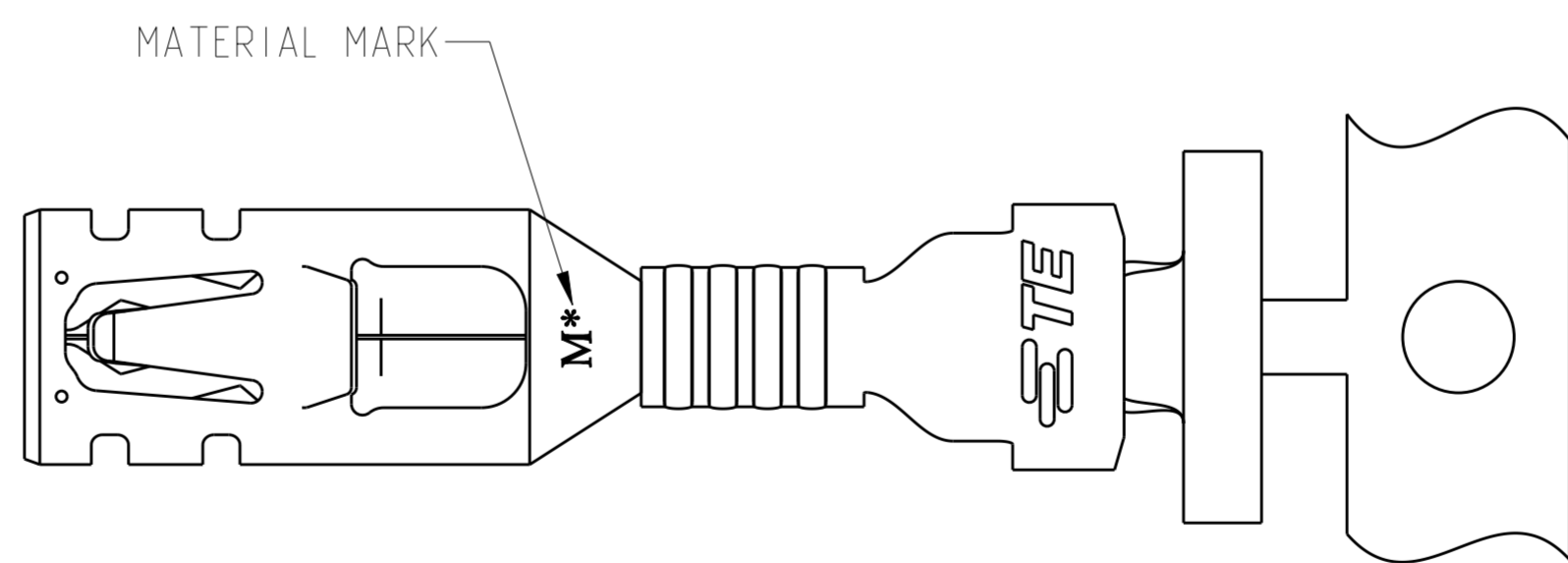
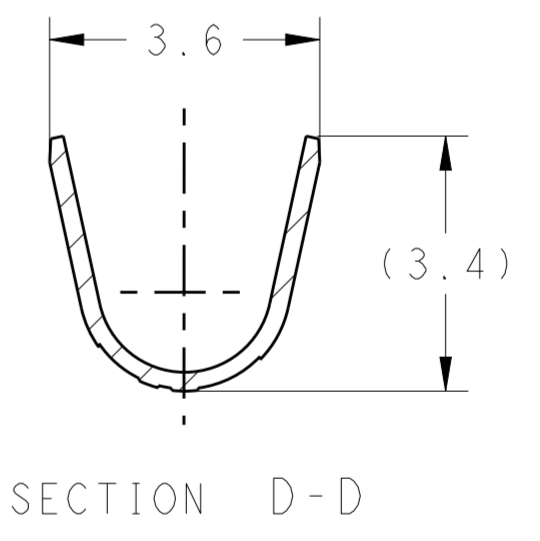
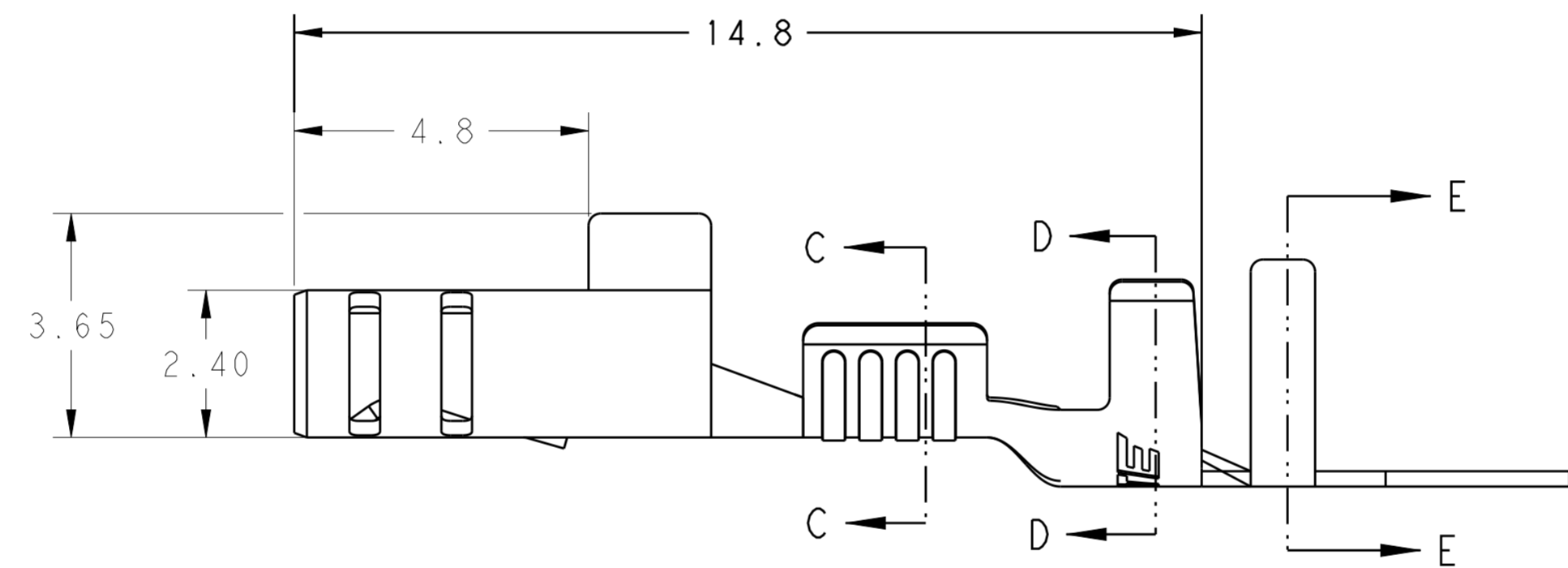
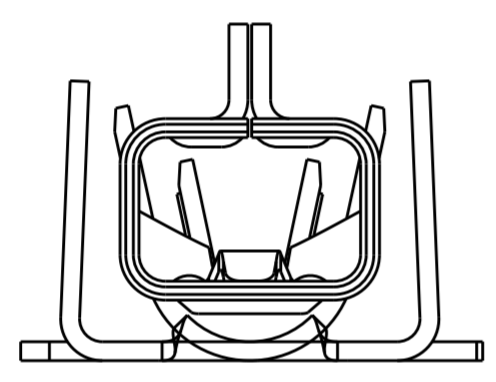
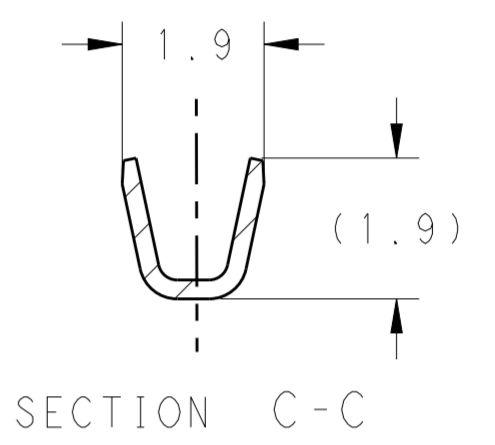
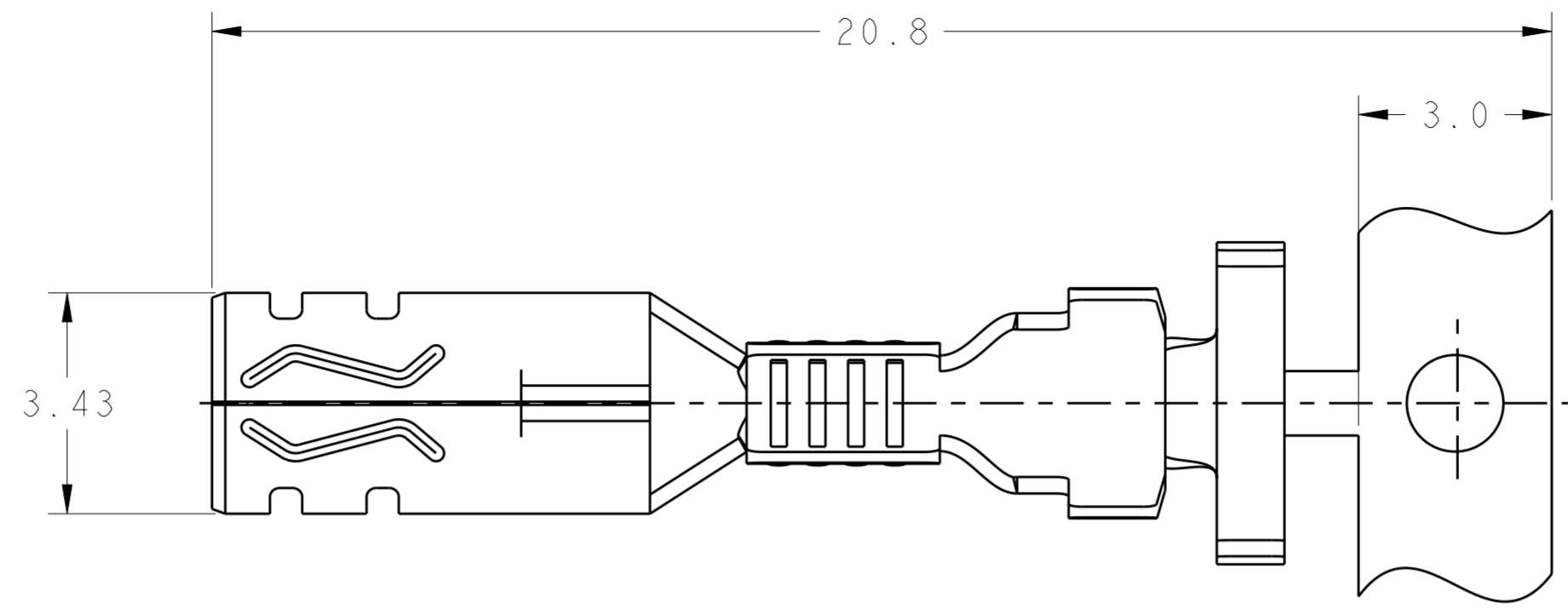
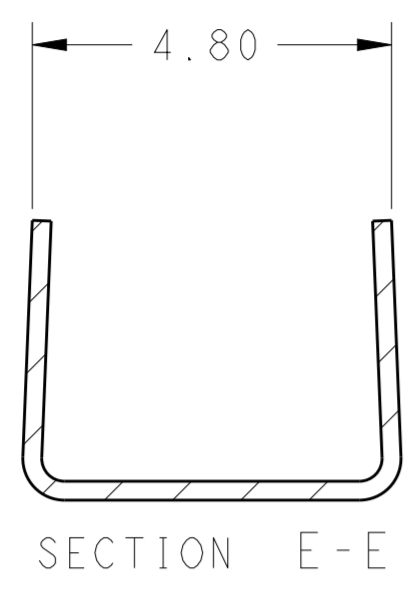


THIS DRAWING IS UNPUBLISHED. RELEASED FOR PUBLICATION 20  
 © COPYRIGHT 20 BY - ALL RIGHTS RESERVED.

REVISIONS				
P	LTR	DESCRIPTION	DATE	APVD
D		REVISED PER ECO-16-013278	09SEP2016	RS GJ



- 1 APPLICABLE WIRE: 20-22 AWG COPPER STRANDED
- 2 APPLICABLE INSULATION DIAMETER: 1.14-2.70mm.
- 3 APPLICABLE MATED PLUG HOUSING P/N:  
 \*-1971773-\*/\*-1971776-\*/\*-1971876-\*/  
 \*-2232265-\*/\*-2232266-\*/\*-2232357-\*

4 THIS PRODUCT HAS NOT COMPLETED VALIDATION TESTING.

MATERIAL	TEMP. RATING	MATERIAL MARK	PART NO
COPPER ALLOY	HIGH(150°C)	M0	1971785-2
PHOS BRONZE	STANDARD(105°C)	M1	1971785-1

THIS DRAWING IS A CONTROLLED DOCUMENT.

DIMENSIONS: mm	TOLERANCES UNLESS OTHERWISE SPECIFIED: 0 PLC ± 0.5 1 PLC ± 0.5 2 PLC ± 0.30 3 PLC ± 4 PLC ± ANGLES ± FINISH	DWN TOMMY WU 11JUL2012	TE Connectivity
		CHK HAPYE WU 11JUL2012	
		APVD YUHONG MAO 11JUL2012	NAME
		PRODUCT SPEC	RECEPTACLE CONTACT POWER TRIPLE LOCK
MATERIAL	SEE TABLE	APPLICATION SPEC	
	PRE-TIN	114-106118	SIZE CAGE CODE DRAWING NO
		WEIGHT	A2100779C-1971785
		Customer Drawing	RESTRICTED TO
		SCALE 6:1	SHEET 1 OF 1 REV D