

# SPECIFICATION FOR APPROVAL



TO: \_\_\_\_\_

PART NO.		REV.		DELTA SAMPLE ISSUE NO	
PART NAME	EMI FILTER		DELTA MODEL		02BEEG3H
ORDER P/N.	02BEEG3H		SAMPLE ISSUE DATE		

1. ELECTRICAL CHARACTERISTICS:

- 1-1. VOLTAGE RATING ..... 115/250VAC
- 1-2. CURRENT RATING
  - A. AT 115VAC ..... 2 A RMS Max.
  - B. AT 250VAC ..... 2 A RMS Max.
- 1-3. OPERATING FREQUENCY..... 50/60 Hz
- 1-4. LEAKAGE CURRENT: EACH LINE TO GROUND
  - A. @115VAC 60Hz ..... 0.25 mA MAX.
  - B. @250VAC 50Hz ..... 0.45 mA MAX.
- 1-5. HIPOT RATING (FOR ONE MINUTE)
  - A. LINE TO GROUND ..... 2250VDC
  - B. LINE TO LINE ..... 1450VDC
- 1-6. TEMPERATURE RANGE: -25 TO +100 DEGREE C
- 1-7. MINIMUM INSERTION LOSS IN dB: (AT 50 OHM SYSTEM)

FREQ. MHz	.01	.05	.10	.15	.50	1.0	5.0	10	30
COM. MODE dB	/	/	20	25	35	40	55	55	55
DIF. MODE dB	/	/	4	6	15	25	40	45	45

1-8. SAFETY

REPORT BY	CHECKED BY	APPROVED BY		
			REV.	

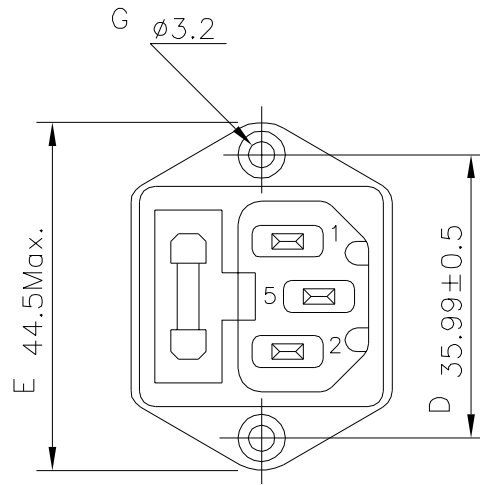
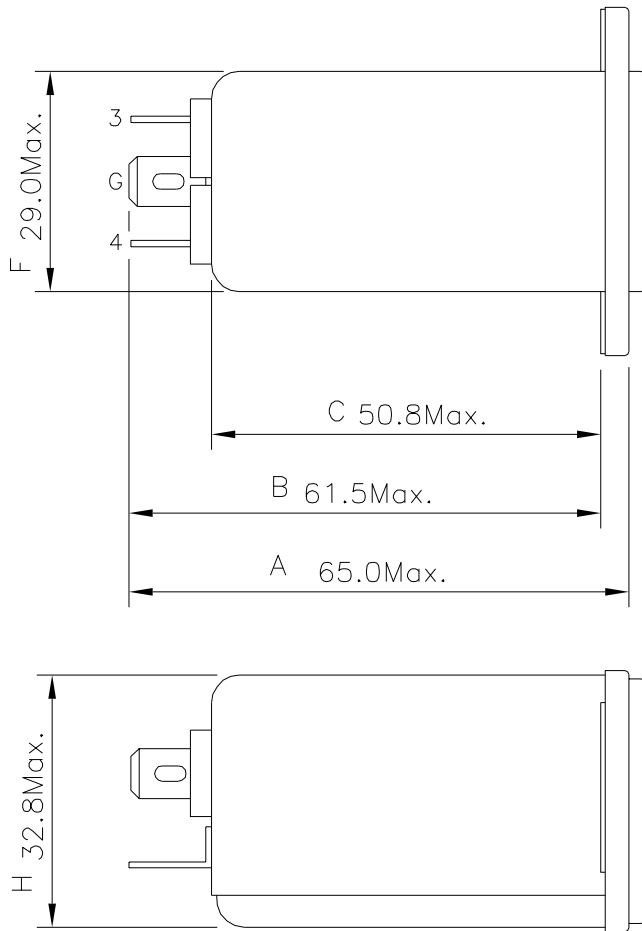
# SPECIFICATION FOR APPROVAL



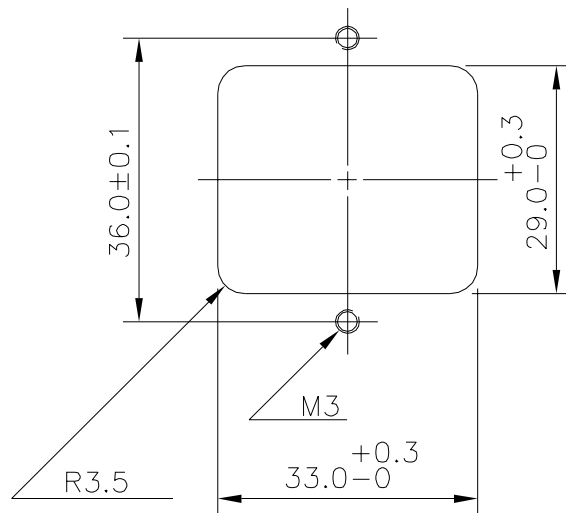
TO: \_\_\_\_\_

PART NO.		REV.		DELTA SAMPLE ISSUE NO	
PART NAME	EMI FILTER			DELTA MODEL	02BEEG3H
ORDER P/N.	02BEEG3H			SAMPLE ISSUE DATE	

## 2. PHYSICAL DIMENSIONS:

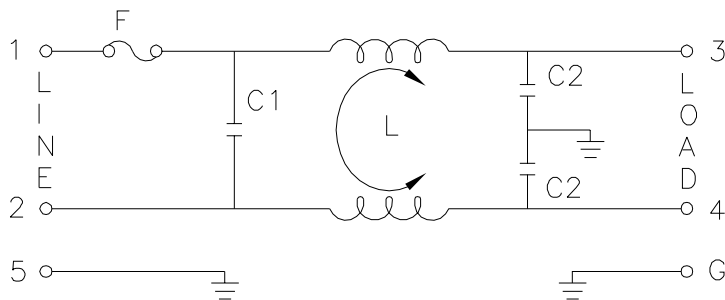


SUGGEST MOUNTING CUTOUT:



UNIT: mm

## 3. SCHEMATIC:



L: 2.4mH  
 C1: 0.1uF  
 C2: 3300pF

REPORT BY	CHECKED BY	APPROVED BY	UNLESS OTHERWISE SPECIFIED DIMENSION TOLERANCE		
			DCEIMALS .X±	.XX±	ANGLES±
			REV.		

# DELTA ELECTRONICS, INC.

186 RUEY KUANG ROAD, NEIHU. TAIPEI 114,  
 TAIWAN, R.O.C.  
 TEL:886-2-87972088 FAX:886-2-87972120