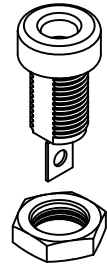
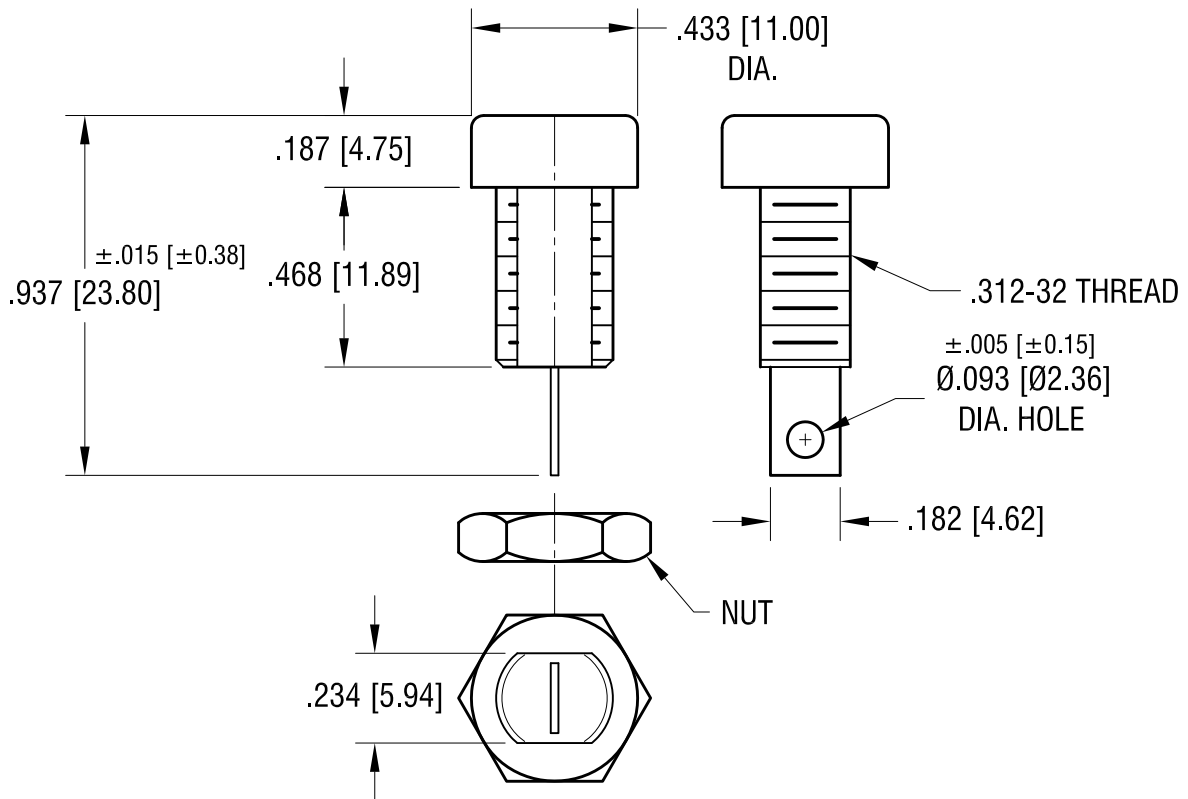
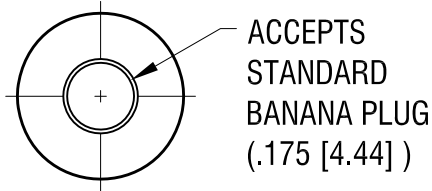
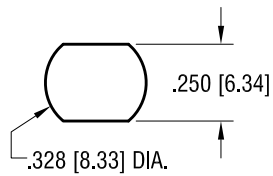


THIS DOCUMENT IS THE PROPERTY OF KEYSTONE ELECTRONICS CORP. AND SHALL NOT BE REPRODUCED, DISTRIBUTED OR USED AS A BASIS FOR MANUFACTURE WITHOUT PRIOR WRITTEN PERMISSION FROM KEYSTONE ELECTRONICS CORP.

**ACTUAL SIZE**



**MOUNTING DETAIL**



**NOTES:**

1. BODY: MAT'L - NYLON (BLACK COLOR)
2. SOLDER LUG: MAT'L - BRASS, TIN PLATE
3. NUT: MAT'L - BRASS, NICKEL PLATE

**KEYSTONE ELECTRONICS CORP.**

www.keyelco.com • ASTORIA, N.Y. 11105-2017 • Tel (718) 956-8900

PART NAME		INSULATED BANANA JACK	
MATERIAL		AS NOTED	
FINISH	AS NOTED	DRN BY	BOONE
		APP'D	LN
		DATE	1.11.06
		SCALE	2X
TOLERANCES	INCH [MM]	CODE	DWG NO.
DECIMAL	± .010 [± 0.25]	C	6092
ANGULAR	± 1°		
UNLESS OTHERWISE SPECIFIED			

1.06.14	CHANGE AS PER ECN 14-008	B
8.31.11	CHANGE AS PER ECN 11-120	A
DATE	DESCRIPTION	REV.