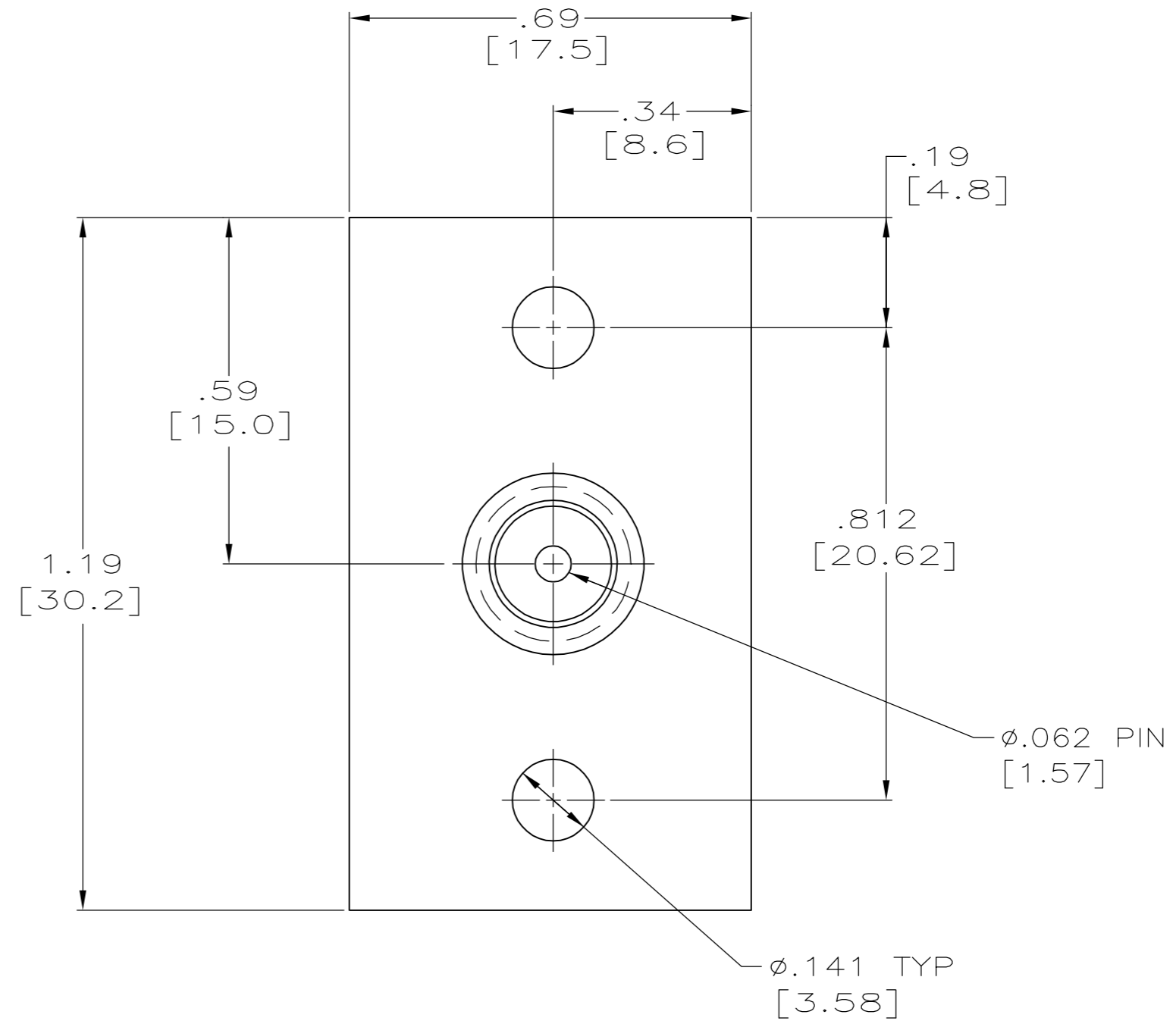
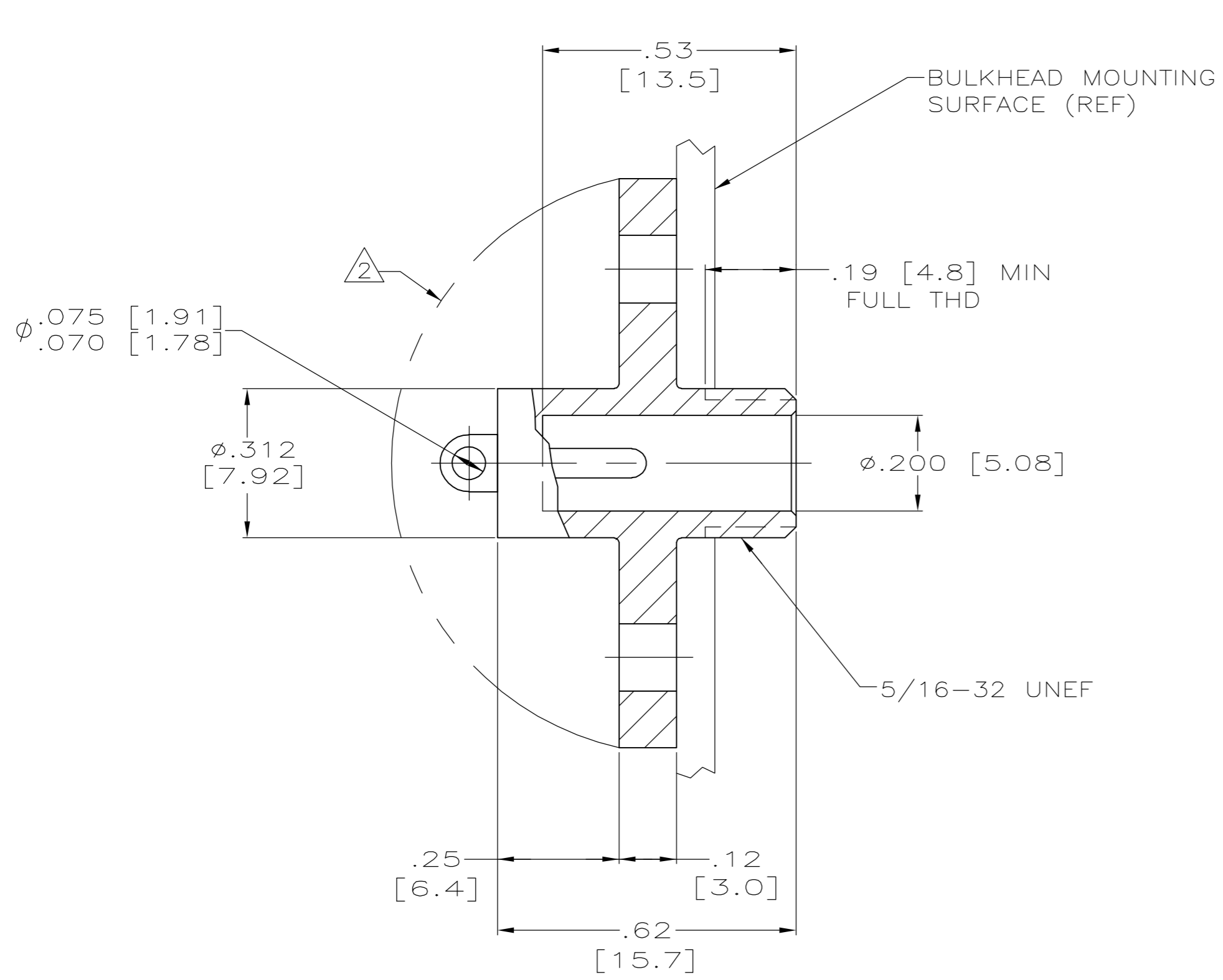


THIS DRAWING IS UNPUBLISHED. RELEASED FOR PUBLICATION - N/A .
 © COPYRIGHT N/A BY TYCO ELECTRONICS CORPORATION. ALL RIGHTS RESERVED.

LOC	DIST	REVISIONS					
DF	SO	P	LTR	DESCRIPTION	DATE	DWN	APVD
		J		REV PER 0H14-0191-05	05-05	AA	DE

- RECEPTACLE TO MATE WITH AMP LGH-1/2 LEAD ASSY, AVAILABLE SEPARATELY.
- ⚠ IF BULKHEAD AND MOUNTING HARDWARE ARE METALLIC AND AT GROUND POTENTIAL, PROVISIONS MUST BE MADE TO PROTECT THE RECEPTACLE'S BACK-END AGAINST ARC-OVER AND BREAKDOWN.



TIN	5-830395-1
GOLD	830395-2
TIN-LEAD	830395-1
TERMINAL PLATING	PART NUMBER

THIS DRAWING IS A CONTROLLED DOCUMENT.		DWN	29-AUG-91	tyco Electronics		Tyco Electronics Corporation Harrisburg, Pa 17105-3608	
DIMENSIONS: INCHES		CHK	10-SEP-91	NAME		FLANGED RECEPTACLE ASSY LGH-1/2	
TOLERANCES UNLESS OTHERWISE SPECIFIED:		APVD	10-SEP-91	PRODUCT SPEC		SIZE	
0 PLC ± -		APPLICATION SPEC		WEIGHT		CAGE CODE	
1 PLC ± -		-		5 GRAMS MAX		DRAWING NO	
2 PLC ± .02[0.5]		-		CUSTOMER DRAWING		RESTRICTED TO	
3 PLC ± .01[0.25]		-		SCALE		SHEET	
4 PLC ± -		-		4:1		1 OF 1	
ANGLES ± -		-		REV		J	
FINISH		-		SCALE		SHEET	
EPOXY MLDG CMPD		-		4:1		1 OF 1	
COLOR: BLACK		-		REV		J	