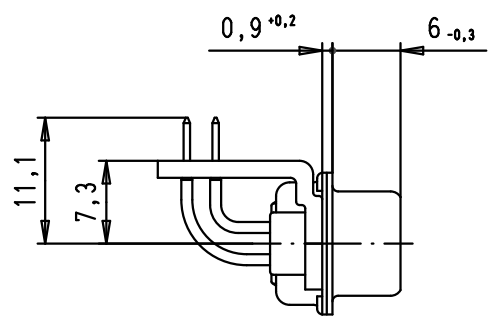
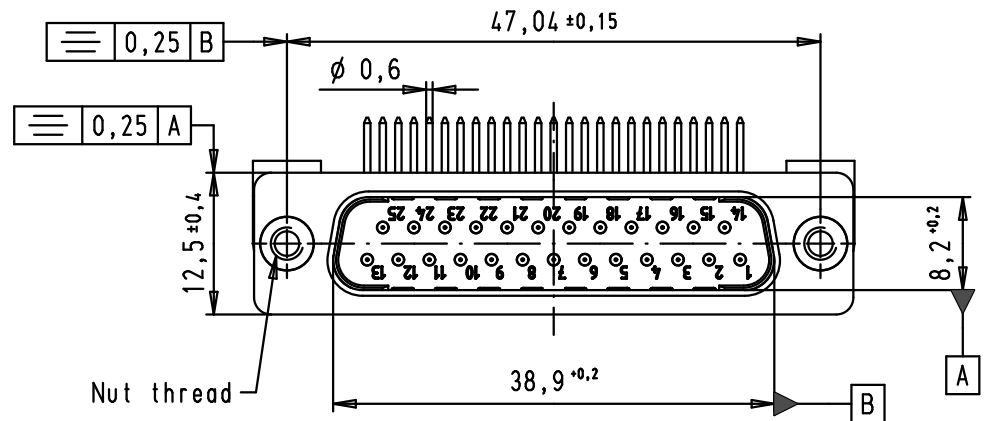


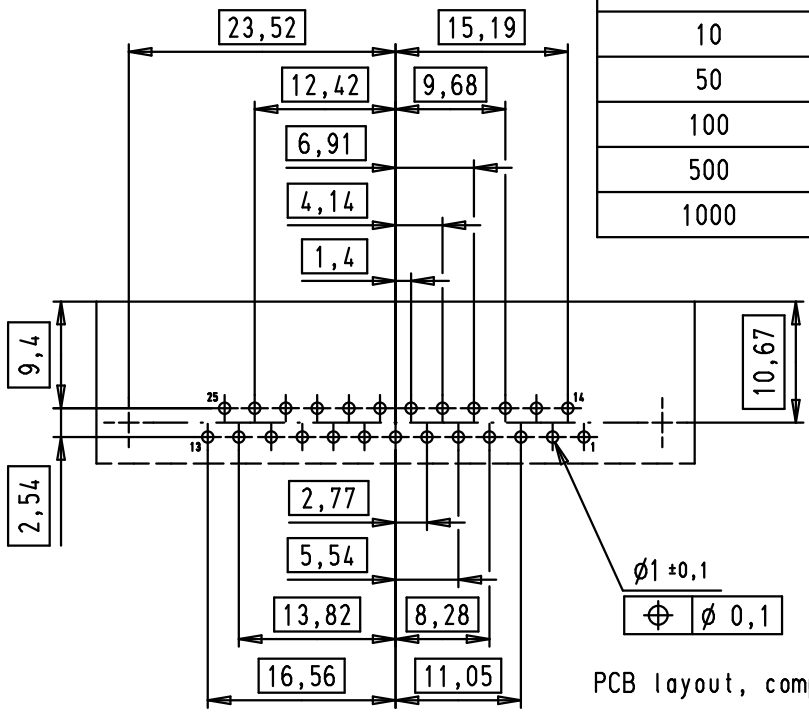
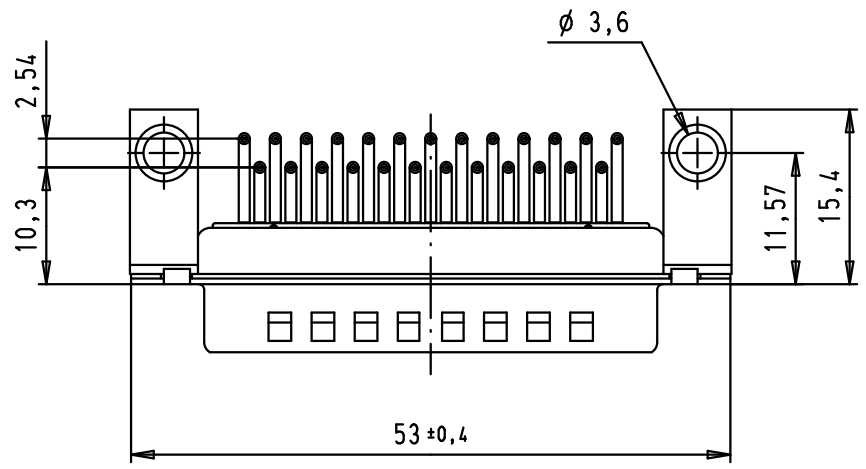
5 4 3 2 1



SPECIFICATIONS

| | |
|-----------------------|---------------|
| Mating cycles | 500 |
| Filter type | C |
| Capacitance | 1000 pF ± 20% |
| Working voltage | 100 V |
| Current rating | 7,5 A |
| Insulation resistance | > 1 GΩ |

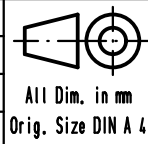
| FREQUENCY (MHz) | ATTENUATION (dB) |
|-----------------|------------------|
| 5 | 1 |
| 10 | 3 |
| 50 | 12 |
| 100 | 20 |
| 500 | 34 |
| 1000 | 30 |



PCB layout, component side

| | |
|----------------|-------------|
| 09 64 324 7237 | M3 |
| 09 64 324 7236 | 4-40 UNC-2B |
| Part number | Nut thread |

| Mod. | Dat. | Name | Dot. | Name |
|---------|----------|------|-------------------------------|-------------|
| | | | Detail. | 08/07/02 CV |
| EC01003 | 25/11/09 | PK | Insp. | |
| 33790 | 01/08/06 | PK | Stand. | |
| 31576 | 03/12/03 | AF | | |
| 31058 | 08/07/02 | CV | | |
| | | | HARTING EURL F-95972 Paris | |



D-Sub, male, angled,
25 poles, turned solder pins,
clinch nuts and
brackets with holes

TB 09 64 324 723X

Maßstab/
Scale
1,5:1
Blatt/ Page
3 / 4