

THIS DRAWING IS UNPUBLISHED.

RELEASED FOR PUBLICATION NOV ,2005.

© COPYRIGHT 2005 By -

ALL RIGHTS RESERVED.

LOC	DIST	P	LTR	DESCRIPTION	DATE	DWN	APVD
E	B		C	ECR-05-016219	28NOV05	JMS	FWK
			D	ECO-11-011152	30MAY2011	TITAN	MARITN
			D1	ECO-12-006153	28MAY2012	TITAN	MARITN

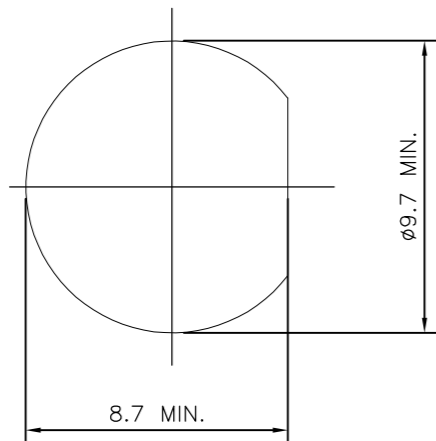
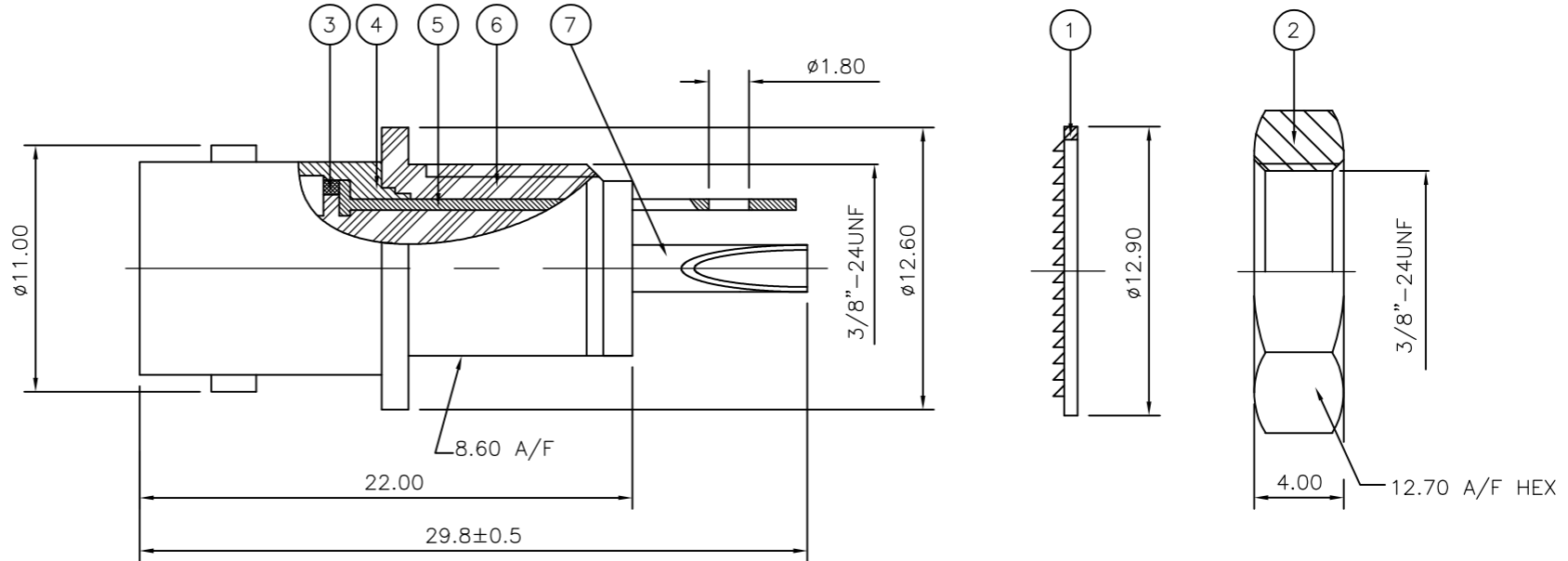
NOTES:

- 1 PACK IN ACCORDANCE WITH AMP SPEC 107-3275
- 2 100 TRAY PACK IN ACCORDANCE WITH AMP SPEC 107-3275
- 3 Ag PLATING
- 4 Ni PLATING
- 5 Sn PLATING
- 6 ELECTRICAL CHARACTERISTICS

FREQUENCY RANGE:	DC - 4 GHz
NOMINAL IMPEDANCE:	50 Ohm
INSULATION RESISTANCE:	5000 MOhm
WORKING VOLTAGE:	500 Volts RMS at Sea Level
DIELECTRIC WITHSTAND VOLTAGE:	1500 Volts RMS Max
CONTACT RESISTANCE:	
CENTRE CONTACT:	1.50 mOhm Max
OUTER CONTACT:	1 mOhm Max
VSWR @ xGHz:	1.3 MAX. @1 GHz
INSERTION LOSS xdb:	0.2 dB MAX. @1 GHz
- 7 MECHANICAL CHARACTERISTICS

COUPLING RETENTION FORCE:	N/A
CABLE RETENTION FORCE:	N/A
MOUNT NUT RECOMMENDED TORQUE:	2N
DURABILITY:	500 Cycles Min
- 8 ENVIRONMENTAL CHARACTERISTICS

OPERATING TEMPERATURE:	-40 to +60 DegC
------------------------	-----------------



MOUNTING HOLE

QTY	QTY PER ASSY	MATERIAL	DESCRIPTION	ITEM
1	1	BRASS	CONTACT	7
1	1	ABS	BODY A	6
1	1	BRASS	GROUNDING TAB	5
1	1	BRASS	BODY B	4
1	1	BRASS	WASHER	3
1	1	BRASS	HEX NUT	2
1	1	STEEL	LOCK WASHER	1
6--0	1--0	MATERIAL	DESCRIPTION	ITEM

THIS DRAWING IS A CONTROLLED DOCUMENT.		DWN	J.SANDWELL	28NOV05
DIMENSIONS: mm		CHK	S.PARLOW	28NOV05
TOLERANCES UNLESS OTHERWISE SPECIFIED:		APVD	F.WHEELER-KING	28NOV05
0 PLC ± -		PRODUCT SPEC	108-3435	
1 PLC ± 0.2		APPLICATION SPEC	-	
2 PLC ± 0.1		WEIGHT	-	
3 PLC ± 0.05		CUSTOMER DRAWING		
4 PLC ± -		SCALE NTS		
ANGLES ± 5'		SHEET 1 OF 1		
FINISH -		REV D1		
MATERIAL SEE TABLE		RESTRICTED TO -		

TE Connectivity

BNC INSULATED BULKHEAD SOCKET
FRONT MOUNT 50 OHM

SIZE A3 CAGE CODE 00779 DRAWING NO C-1337447