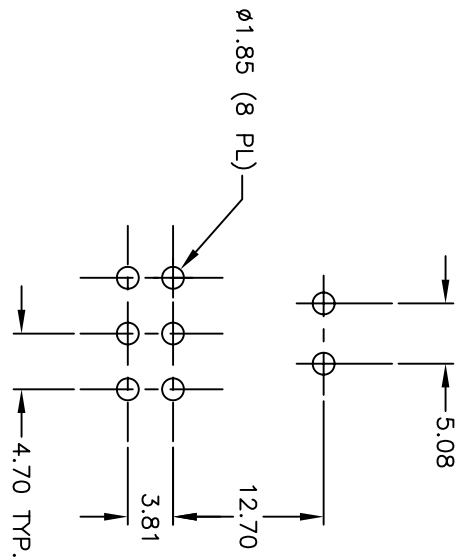
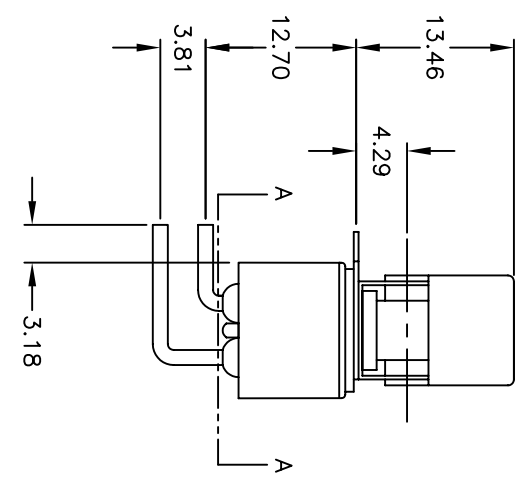
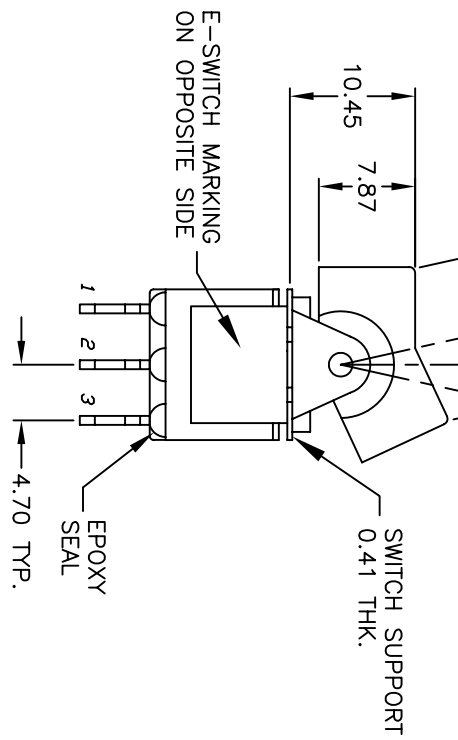
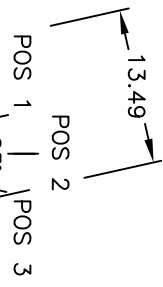
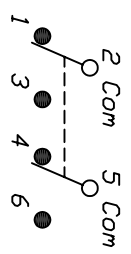


NOTE:
CONTACTS & BRACKET
CROPPED FOR CLARITY



RECOMMENDED PCB MOUNTING



CIRCUIT: DPDT
CONTACT CONFIGURATION

SWITCH FUNCTION		
POS. 1	POS. 2	POS. 3
ON	NONE	ON
2-3, 5-6	2-3, 5-4	2-1, 5-4

NOTES:

1. ALL DIMENSIONS IN MM
2. GENERAL TOLERANCE: X.X=±0.4, X.XX=±0.25
3. TERM. NOS. FOR REF ONLY
4. RATING: 0.4VA MAX @20VAC OR @20VDC MAX
5. ELECTRIC LIFE: 50,000 MAKE AND BREAK AT FULL LOAD
6. CONTACT RESISTANCE: 10 MILLI-OHMS MAX @2-4VDC
100 MILLI-AMPS GOLD
7. INSUL. RESISTANCE: 1,000 MEGA-OHMS MIN
8. DIELECTRIC STRENGTH: 1,000V RMS @SEAL LEVEL
9. OPERATING TEMP: -30°C TO +85°C



REV.	ECN NO.	DESCRIPTION	DATE	CHKD
B	11132	REVISED & REDRAWN	12/20/00	PML
A	11045	RELEASED FOR PRODUCTION	11/09/00	PML

SCALE	DATE	DR	DWG	REV
1.5:1	11/08/00	PML	T321043	B

THE INFORMATION CONTAINED IN THIS DOCUMENT IS PROPRIETARY TO E-SWITCH AND IS NOT TO BE COPIED OR TRANSMITTED

300 DP-1 J1 (BLACK) M6 R E