

THIS COPY IS PROVIDED ON A RESTRICTED BASIS AND IS NOT TO BE USED IN ANY WAY DETRIMENTAL TO THE INTERESTS OF PANDUIT CORP.

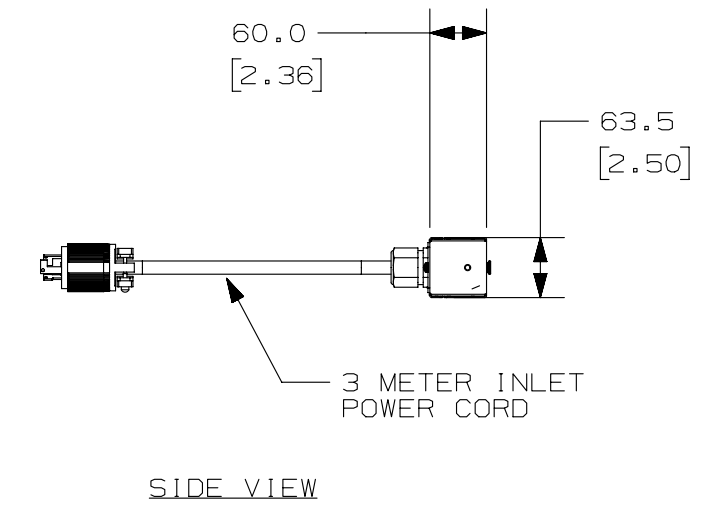
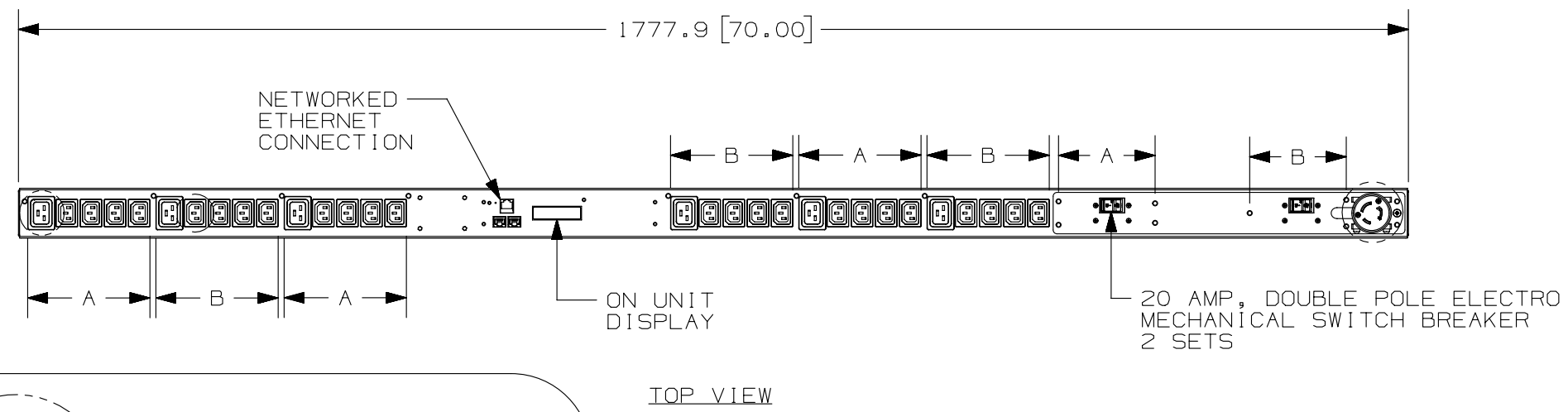
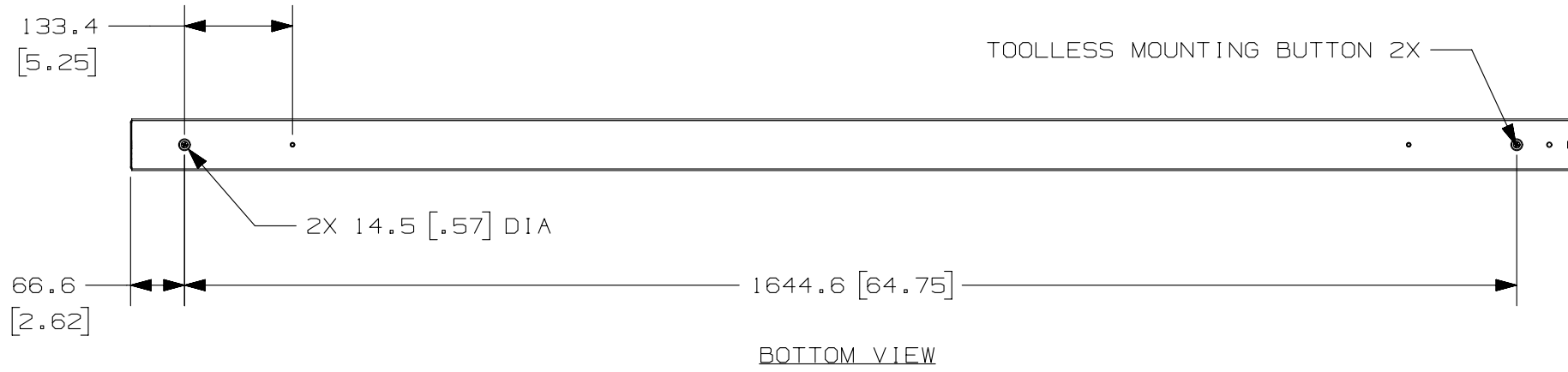
PANDUIT P/N	WEIGHT
Q1N2B1L2N30AHA0	9.23 kg (20.41lb)

NOTES:

1. IDENTIFICATION: VERTICAL, MIXED (24) C-13 & (6) C-19, NETWORKED 208V / 30A / SINGLE-PHASE PDU

PART NO. Q1N2B1L2N30AHA0 COLOR BLACK

- ACCESSORY COMPONENTS: (1) QUICK-START GUIDE
- PRIMARY DIMENSIONS ARE IN MILLIMETERS, SECONDARY DIMENSIONS IN [INCHES].
- CIRCUIT LEVEL POWER (AMPS, VOLTS, kWh, kVA, POWER FACTOR, FREQUENCY) MONITORING AND ENVIRONMENTAL SENSOR DATA CAN BE ACCESSED VIA ON-UNIT DISPLAY.
- RoHS COMPLIANT.
- VISIT OUR ON-LINE CATALOG AT WWW.PANDUIT.COM FOR A CURRENT LIST OF PRODUCTS APPLICABLE FOR USE WITH THIS PART.
- MAXIMUM AVAILABLE INPUT POWER = 4.9 kW
- INSTALLATION SHALL COMPLY WITH ALL APPLICABLE NATIONAL, STATE, AND LOCAL CODES.



PLUG
30 AMP, 250V
TWIST-LOCK
NEMA L6-30P

TWENTY-FOUR (24)
RECEPTACLES
15 AMP, 250V
STRAIGHT BLADE
IEC 60320/C13

SIX (6)
RECEPTACLES
20 AMP, 230V
STRAIGHT BLADE
IEC 60320/C19

02A	5-14-14	PIP	MRWA	EDM	RELEASED TO PRODUCTION	12V091SR-DC
REV	DATE	BY	CHK	APR	DESCRIPTION	ECN

WE ASK THAT YOU CHECK FULLY THE DIMENSIONS, NOTES, AND SIGN THE CLIENT SIGNATURE BOX.

THE JOB WILL NOT PROGRESS WITHOUT SIGNED APPROVAL. PLEASE DO NOT DELAY IN RETURNING PROOF AS IT WILL AFFECT DELIVERY.

SIGN _____

DATE _____

PRINT _____

TITLE

Q1N2B1L2N30AHA0

CUSTOMER DRAWING

ITEM REVISION NAME
12V091SR/02.PRT

DATASET FILE NAME
12V091SR_DC/02A.PRT

UNLESS OTHERWISE SPECIFIED, DIMENSIONAL TOLERANCES ARE:

INCHES	METRIC - MILLIMETER	ANGLE
X.X +/- 0.03	X.X +/- 0.8	+/- 1°
X.XX +/- 0.018	X.X +/- 0.46	
X.XXX +/- 0.007	X.XX +/- 0.18	

MATERIAL/COLOR:
N/A

DRAWING NUMBER:
12V091SR-DC

THIRD ANGLE PROJECTION

DRAWN BY: PIP DATE: 5-14-14 CHK: MRWA SCALE: NONE

SHT 1 OF 1 SIZE: B