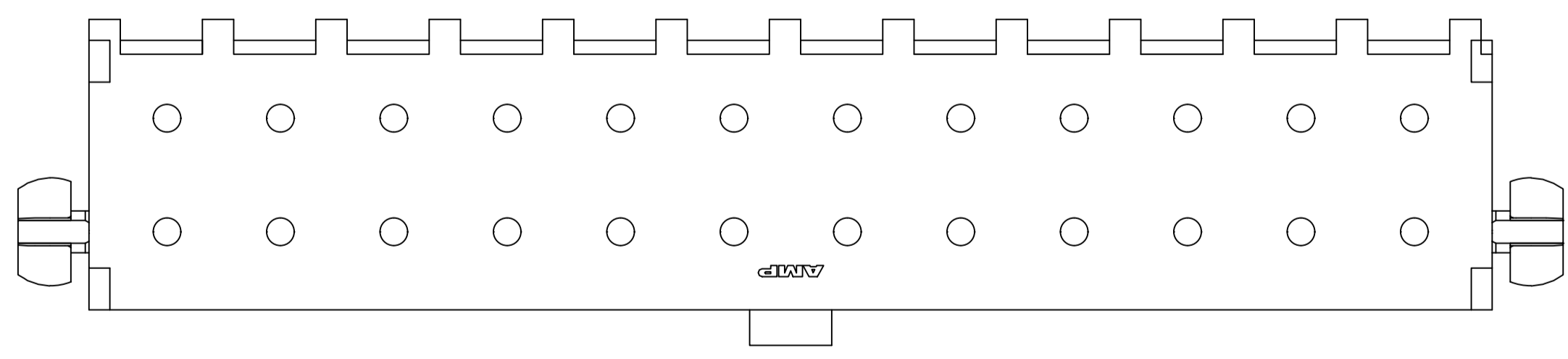
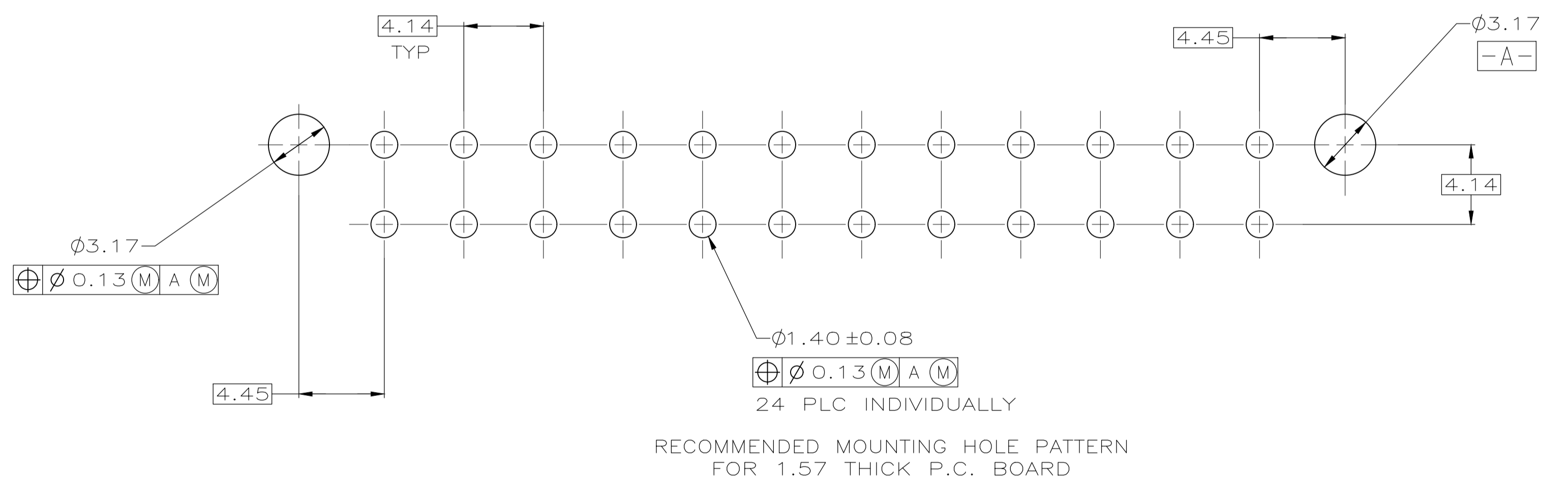
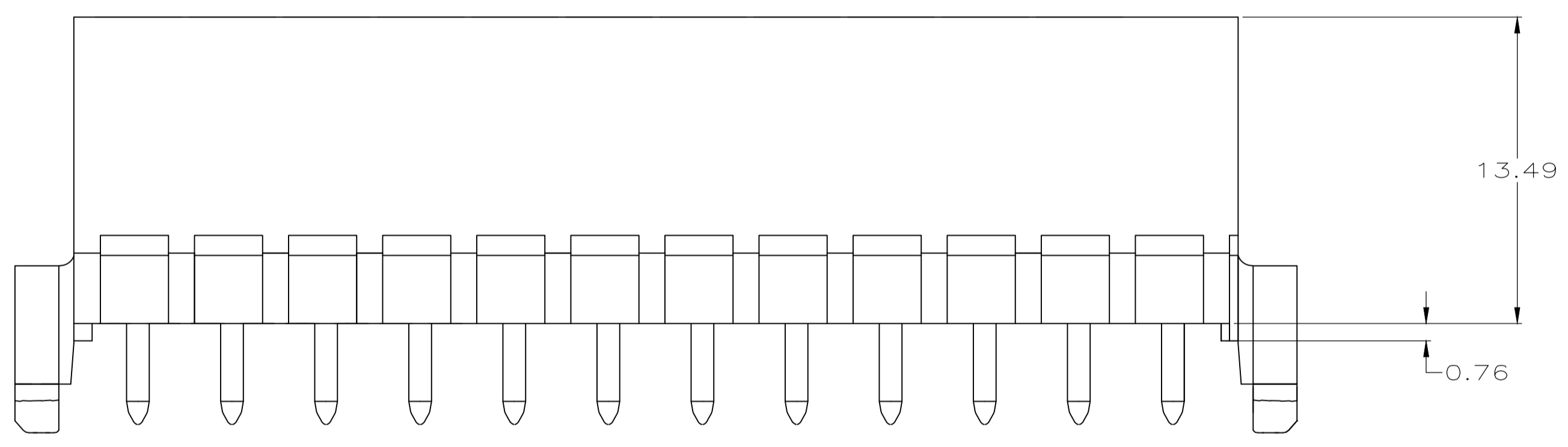
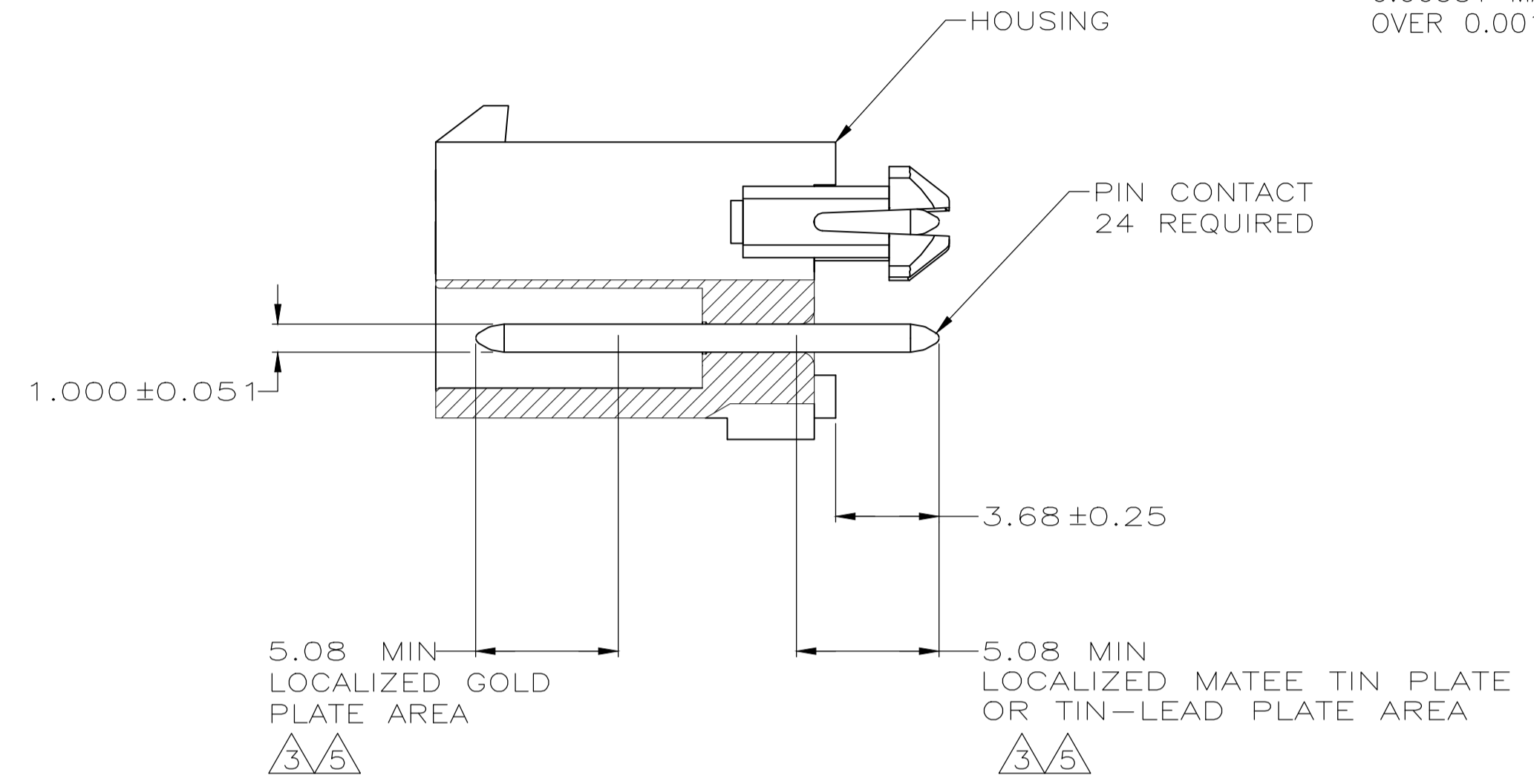
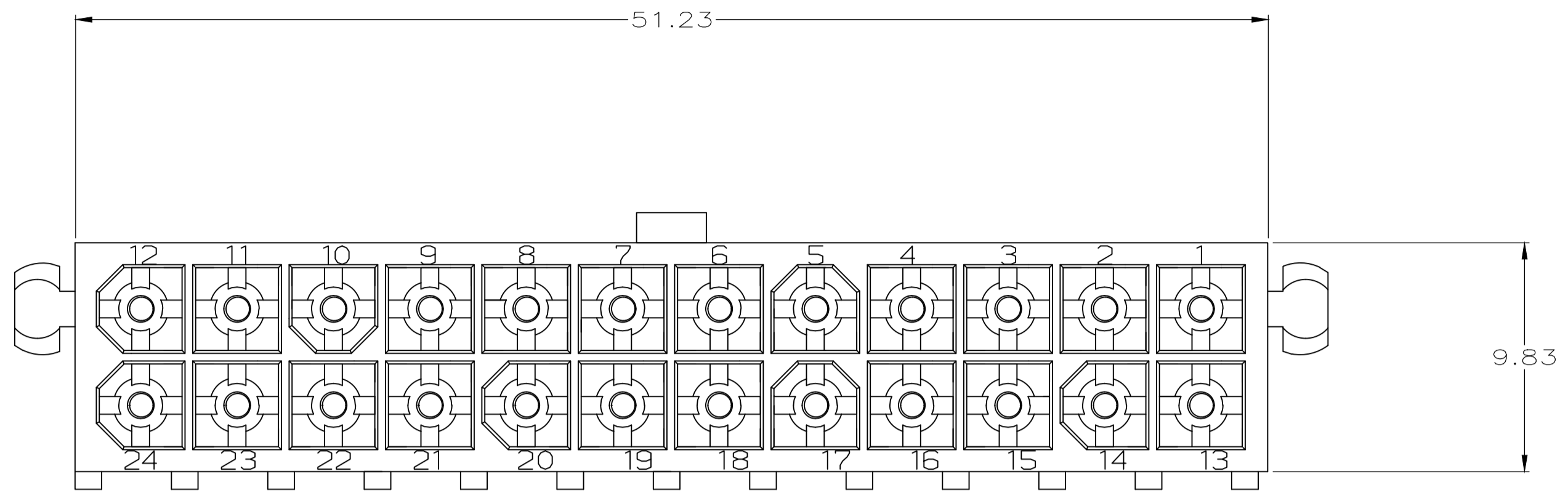


LOC	DIST	REVISIONS			
P	LTR	DESCRIPTION	DATE	BY	APPD
E1		REVISED PER ECR-18-003467	28MAR2018	BDA	SG

- PINS TO COMPLY WITH AMP SOLDERABILITY SPEC. 108-11-3.
- 0.00381 MIN MATTE TIN LEAD OVER 0.00127 MIN NICKEL.
- 0.00076 MIN GOLD PLATE IN THE LOCALIZED PLATE AREA, 0.00381 MATTE TIN LEAD IN THE LOCALIZED PLATE AREA, BOTH OVER 0.00127 MIN NICKEL.
- 0.00381 MIN MATTE TIN OVER 0.00127 MIN NICKEL.
- 0.00076 MIN GOLD PLATE IN THE LOCALIZED PLATE AREA, 0.00381 MATTE TIN IN THE LOCALIZED PLATE AREA, BOTH OVER 0.00127 MIN NICKEL.



MATERIAL	FINISH	HOUSING MATERIAL AND COLOR	PART NUMBER
BRASS, GOLD	5	NYLON, 94V-0, WHITE	1-794079-1
BRASS, TIN	4	NYLON, 94V-0, WHITE	1-794079-0
OBSOLETE	3	NYLON, 94V-0, WHITE	794079-2
BRASS, TIN LEAD	2	NYLON, 94V-0, WHITE	794079-1

THIS DRAWING IS A CONTROLLED DOCUMENT.		DWG: K. WHITAKER 6-12-95	TE Connectivity
DIMENSIONS: mm		CHK: R. SWING 6-12-95	
TOLERANCES UNLESS OTHERWISE SPECIFIED:		APPD: R. ORSTAD 6-13-95	NAME: HEADER ASSEMBLY, CLOSED BOTTOM, 24 CIRCUIT, DOUBLE ROW VERTICAL, MINI-UNIVERSAL MATE-N-LOK
0 PLC ± -	1 PLC ± -	2 PLC ± 0.13	APPLICATION SPEC
3 PLC ± -	4 PLC ± -	ANGLES ± -	SIZE: A1
MATERIAL: SEE TABLE	FINISH: SEE TABLE	WEIGHT: 00779	DRAWING NO: 794079
CUSTOMER DRAWING		SCALE: 5:1	SHEET 1 OF 1