

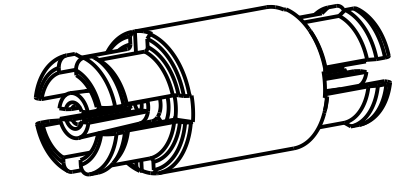
NOTES:

1. MATERIALS AND FINISHES:  
 BODY & CONTACT - BeCu, GOLD PLATING  
 INSULATOR - PTFE, NATURAL
2. ELECTRICAL:  
 A. IMPEDANCE: 50 OHM  
 B. FREQUENCY RANGE: DC - 40 GHz  
 C. VSWR: 1.15:1 MAX @ DC - 10 GHz  
     1.25:1 MAX @ 10 - 26.5 GHz  
     1.35:1 MAX @ 26.5 - 40 GHz  
 D. DIELECTRIC WITHSTANDING VOLTAGE: 500 VRMS, MIN.
3. MECHANICAL:  
 A. DURABILITY: 100 CYCLES MIN.  
 B. TEMPERATURE RANGE: -65°C TO 165°C
4. PACKAGING:  
 A. QUANTITY: SINGLE PACK  
 B. MARKING: BAG TO BE MARKED  
     "AMPHENOL RF, 925-141A-51S, AND DATE CODE"

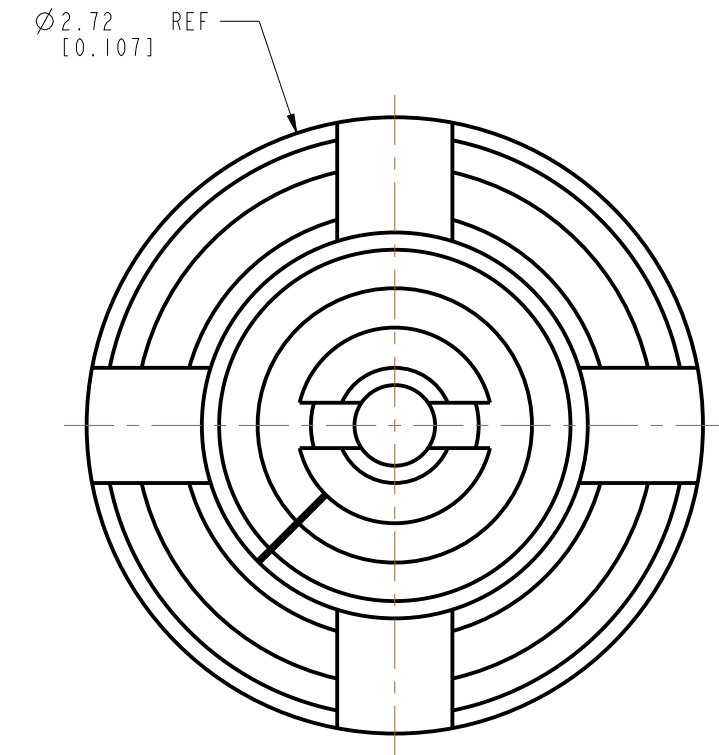
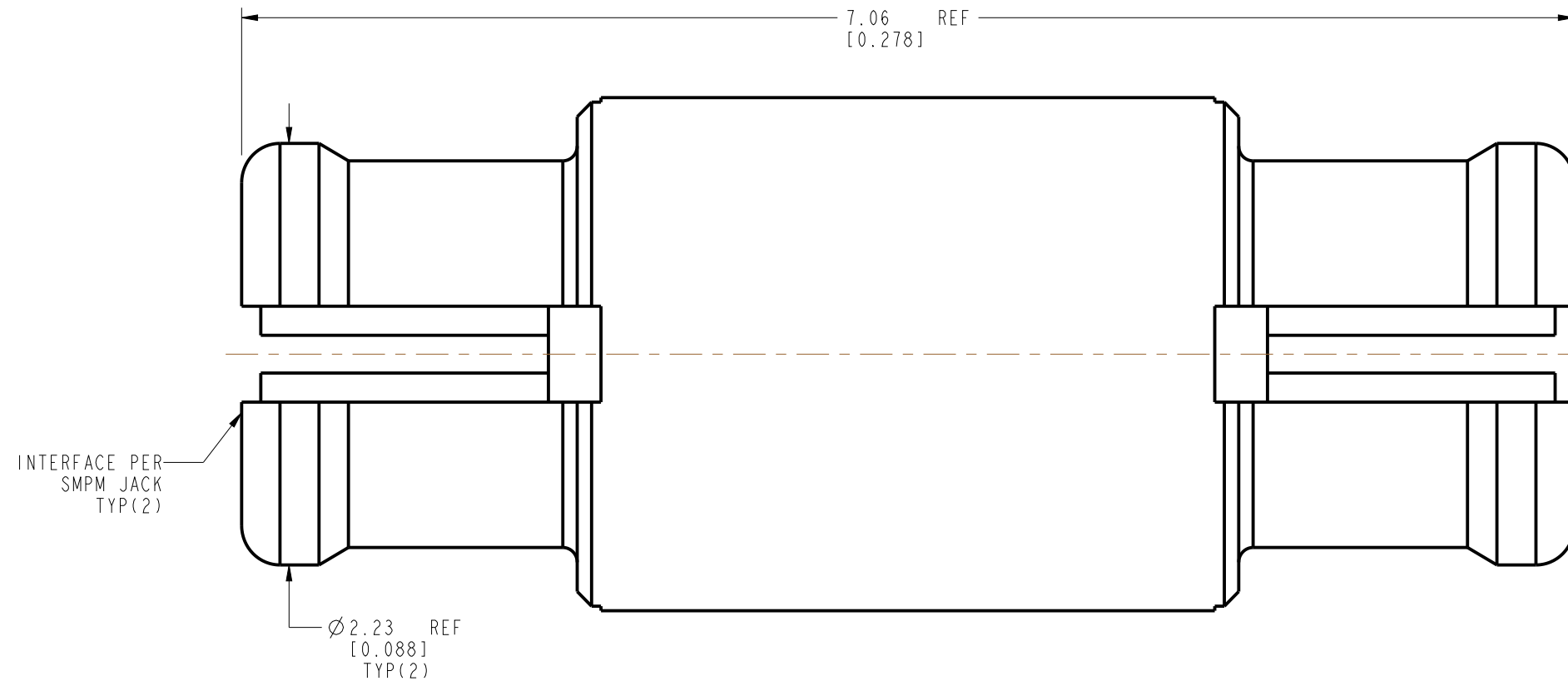
THIRD ANGLE PROJ.

REVISIONS

REV	DESCRIPTION	DATE	ECO	APPR
A	RELEASE TO MFG.	14-Dec-16	02642	BMG



SCALE 7.000



**CUSTOMER OUTLINE DRAWING**

ALL OTHER SHEETS ARE FOR INTERNAL USE ONLY

UNLESS OTHERWISE SPECIFIED, DIMENSIONS ARE IN METRIC AND TOLERANCES ARE: <0.5mm ±0.05mm    0.5 - 6mm ±0.1mm    6 - 30mm ±0.2mm    30 - 120mm ±0.3mm    ANGLES ±1°  NOTICE - These drawings, specifications, or other data (1) are, and remain the property of Amphenol corp. (2) must be returned upon request; and (3) are confidential and not to be disclosed to any person other than those to whom they are given by Amphenol Corp. the furnishing of these drawings, specifications, or other data by Amphenol Corp., or to any other person to anyone for any purpose is not to be regarded by implication or otherwise in any manner licensing, granting rights to permitting such holder or any other person to manufacture, use or sell any product, process or design, patented or otherwise, that may in any way be related to or disclosed by said drawings, specifications, or other data.	MATERIAL	DRAWN	DATE	TITLE SMPM STR BULLET JACK TO JACK ASSEMBLY 0.278" LONG		Amphenol RF www.amphenolrf.com	
	SEE NOTES	E WANKOFF	11-Jan-13				
	REFERENCE	APPROVED	DATE	SCALE: 30.0:1.0 SHEET 2 OF 2		DRAWING NO. 925-141A-51S ITEM NO. 925-141A-51S PART NO. 925-141A-51S	
	EAR # 5420	K. CAPOZZI	14-Dec-16				
CONFIGURATION LEVEL: In Work	FINISH			B	A		