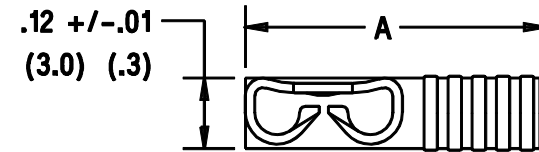


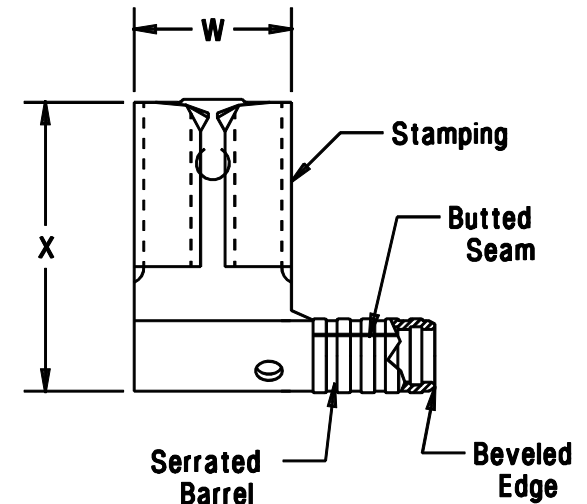
Part number		Tab size	Wire range AWG	Dimensions (inches)		
Prefix	PK			X <sup>+/-02</sup>	W <sup>+/-01</sup>	A <sup>+/-02</sup>
DR18-250B	-C -M	.250 X .032 (6.3 X 0.8)	22-18	.53 (13.5)	.30 (7.6)	.55 (14.0)
DR14-250B	-C -M	.250 X .032 (6.3 X 0.8)	16-14	.55 (14.0)	.30 (7.6)	.55 (14.0)

(.5)



**Notes:**

- CSA Certified For:
  - 302° F (150° C) maximum temperature rating
  - Stranded copper wire only
- Material:
  - Stamping: .018" (0.46) thick tin plated brass
- Package quantity:
  - Standard: -C = 100,
  - Bulk : -M = 1000,
- First insertion force: 12 Lb (53 N) maximum  
 First withdrawal force: 12 Lb (53 N) maximum  
 6 Lb (27 N) minimum
- Dimensions in brackets are in millimeters or mm<sup>2</sup>
- Installation tools:
  - CSA Certified: CT-100
  - Panduit Approved: CT-200
- Wire Strip Length: 9/32 <sup>+1/32</sup> -<sub>0</sub> (7.1 <sup>+8</sup> -<sub>0</sub>)



CERTIFIED  
LR31212

A41326\_04

				<b>PANDUIT</b> CORP. TINLEY PARK, ILLINOIS							
04	1/01	RM		FILESPEC WAS N41326AA_PCD_03		Non-insulated right angle Butted Seam female disconnect, .250 X .032 Male Tab					
03	11-94	TH		Updated Notes and Dimensions	02680						
REV	DATE	BY	CHK	DESCRIPTION	ECN #	CUST	PM	DRAWN BY <b>DAW</b>	CHK'D	SCALE None	DRAWING NO. <b>A41326</b>