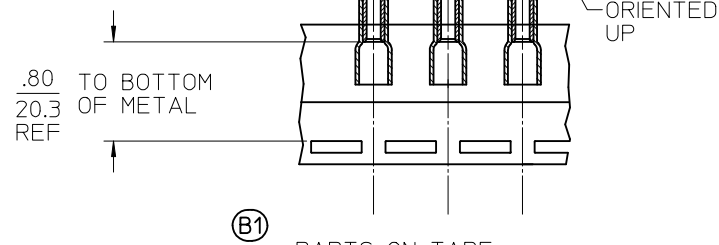
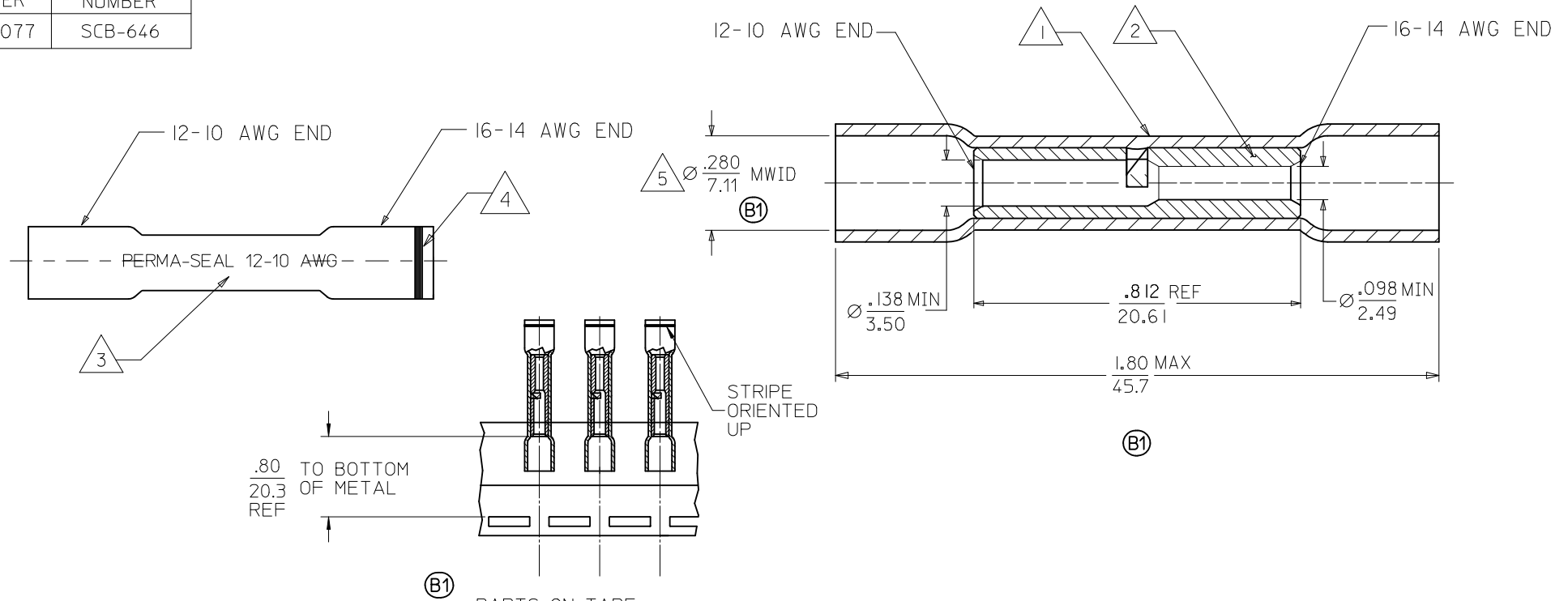


MATERIAL NUMBER	ENGINEERING NUMBER
191640077	SCB-646



NOTES,

- 1. INSULATION MATERIAL: HEAT SHRINKABLE TUBING WITH HOTMELT INNER LINER. COLOR YELLOW.
- 2. SEAMLESS TIN PLATED COPPER TERMINAL.
- 3. PRINTED TEXT IN BLACK .06 HIGH AS SHOWN. DIRECTION CAN BE REVERSED DUE TO MFG PROCESSES.
- 4. BLUE STRIPE ORIENTATED ON 16-14 AWG END OF CONNECTOR.
- 5. MWID-MAXIMUM WIRE INSULATION DIAMETER.
- B1 6. PART IS ROHS COMPLIANT.

SALES DRAWING

UPDATE TOL. TAPE EC NO: WNA2012-0117 DRW: WETHRODAHL 2011/08/25 CHKD: JMAGNEIL 2011/08/25 APPR: JMAGNEIL 2011/08/26	QUALITY SYMBOLS	GENERAL TOLERANCES (UNLESS SPECIFIED)	DIMENSION STYLE	SCALE	DESIGN UNITS	THIRD ANGLE PROJECTION
	▽=0	mm INCH	IN/MM	---	INCH	☉
	▽=0	4 PLACES ± --- ± ---	DRAWN BY DATE	TITLE	MATERIAL NO.	DOCUMENT NO.
		3 PLACES ± --- ± ---	BENDERLE 2002/10/01			
	2 PLACES ± --- ± ---	CHECKED BY DATE	MOLEX INCORPORATED THIS DRAWING CONTAINS INFORMATION THAT IS PROPRIETARY TO MOLEX INCORPORATED AND SHOULD NOT BE USED WITHOUT WRITTEN PERMISSION			
	1 PLACE ± --- ± ---	HBEITZEL 2002/10/01				
	ANGULAR ± ---°	APPROVED BY DATE				
		RDEROSS 2002/10/01				
			DRAFT WHERE APPLICABLE MUST REMAIN WITHIN DIMENSIONS			
			SEE CHART			