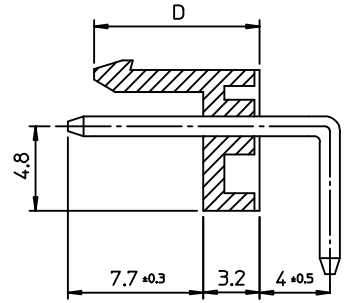


NOTES

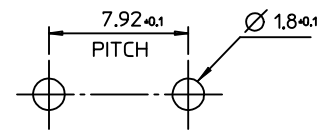
- 1. MATERIAL : HEADER - POLYAMIDE66(PA66), PC/PET
PIN : BRASS(CDA 2700)
- 2. FINISHES : PIN
THICKNESS - TIN PLATED 3.0 MICROMETER MIN.
OVER Cu 1.5 MICROMETER MIN.
- 3. PRODUCT SPECIFICATION : PS-35979-001

LEGEND

- 35979-****
 - COLOR : 0 - WHITE
 - 1 - BLACK
 - 2 - RED
 - 3 - YELLOW
 - 4 - BLUE
- PIN TYPE : RIGHT ANGLE MATERIAL :
 - 2 : POLYAMIDE66(PA66)
 - 5 : PC/PET
- CURCUIT NO. (02,03,04...)



SECTION A-A



P.C.BOARD LAYOUT (t=1.6)

9.4	56.50	55.44	59.40	3597908**	35979-08**	8	15
	48.58	47.52	51.48	3597907**	35979-07**	7	13
	40.66	39.60	43.56	3597906**	35979-06**	6	11
9.7	32.74	31.68	35.64	3597905**	35979-05**	5	9
	24.82	23.76	27.72	3597904**	35979-04**	4	7
	16.90	15.84	19.80	3597903**	35979-03**	3	5
	8.98	7.92	11.88	3597902**	35979-02**	2	3
D	C	B	A	MAT'L NO	ENG NO.	CKT	N

REVISED
 EIC NO: KOR2012-0133
 DRW: CBC/CHN 2012/06/19
 CHK: D:SHCHU 2012/06/19
 APPR: YSK/IMO2 2012/07/12

QUALITY SYMBOLS
 ▽=0
 ▽=0

GENERAL TOLERANCES (UNLESS SPECIFIED)	
	mm INCH
4 PLACES	± --- ± ---
3 PLACES	± --- ± ---
2 PLACES	± 0.20 ± ---
1 PLACE	± 0.20 ± ---
0 PLACE	± --- ±
ANGULAR ± 2 °	
DRAFT WHERE APPLICABLE MUST REMAIN WITHIN DIMENSIONS	

DIMENSION STYLE
MM ONLY

DRAWN BY: YR.WI
 CHECKED BY: JK.OH
 APPROVED BY: CW.LEE

DATE: 1999/05/07
 DATE: 1999/05/07
 DATE: 1999/05/07

SCALE: 4:1

DESIGN UNITS: METRIC

THIRD ANGLE PROJECTION

TITLE: 7.92 PITCH W-T-B CONN. HEADER ASSY(R/A)

molex

MATERIAL NO. SEE TABLE
 DOCUMENT NO. SD-35979-002

SHEET NO. 1 OF 1