

# Thermofit<sup>®</sup> Molded Parts Specification Control Drawing

Part Number : 202S121 thru 174-XXS  
Description : Boot, Straight, with Lip, Shielded

## NOTES

- All dimensions are in  $\frac{\text{inches}}{\text{millimeters}}$
- Dimensions appearing in table are as follows:
  - a - As Supplied
  - b - After Unrestricted Recovery

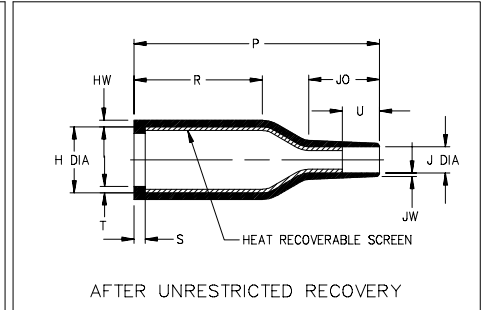
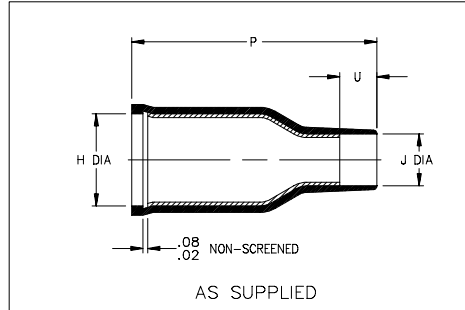


TABLE OF DIMENSIONS

PART NUMBER	H		J		P		R	S	T	U		JO	HW	JW			
	Min	Max	Min	Max	±5%	±10%				Ref	Ref				Ref	Min	±20%
	a	b	a	b	a	b				b	b				b	a	b
202S121-XXS	.79 [20,0]	.41 [10,4]	.43 [11,0]	.20 [5,0]	1.77 [45,0]	1.77 [45,0]	.67 [17,0]	.12 [3,0]	.04 [1,0]	.24 [6,0]	.39 [10,0]	.59 [15,0]	.08 [2,0]	.04 [1,0]			
202S132-XXS	.94 [24,0]	.56 [14,2]	.59 [15,0]	.24 [6,0]	2.36 [60,0]	2.36 [60,0]	1.10 [28,0]	.12 [3,0]	.04 [1,0]	.24 [6,0]	.39 [10,0]	.67 [17,0]	.08 [2,0]	.04 [1,0]			
202S142-XXS	1.22 [31,0]	.71 [18,0]	.71 [18,0]	.28 [7,2]	2.83 [72,0]	2.83 [72,0]	1.26 [32,0]	.12 [3,0]	.04 [1,0]	.24 [6,0]	.39 [10,0]	.79 [20,0]	.08 [2,0]	.04 [1,0]			
202S152-XXS	1.42 [36,0]	.88 [22,4]	.87 [22,0]	.33 [8,5]	3.35 [85,0]	3.35 [85,0]	1.22 [31,0]	.12 [3,0]	.04 [1,0]	.35 [9,0]	.59 [15,0]	.98 [25,0]	.08 [2,0]	.04 [1,0]			
202S163-XXS	1.69 [43,0]	1.11 [28,2]	1.02 [26,0]	.39 [10,0]	4.33 [110,0]	4.33 [110,0]	1.97 [50,0]	.12 [3,0]	.07 [1,7]	.47 [12,0]	.79 [20,0]	1.18 [30,0]	.09 [2,2]	.05 [1,2]			
202S174-XXS	1.85 [47,0]	1.38 [35,1]	1.42 [36,0]	.62 [15,8]	5.20 [132,0]	5.32 [135,0]	2.76 [70,0]	.12 [3,0]	.07 [1,7]	.47 [12,0]	.79 [20,0]	1.18 [30,0]	.12 [3,0]	.06 [1,5]			

## Raychem

RAYCHEM CORPORATION  
300 CONSTITUTION DRIVE  
MENLO PARK, CALIFORNIA 94025  
(415) 361-6055

Revision : D  
Date : 7/23/92

Part Number : 202S121 thru 174-XXS  
Description : Boot, Straight, with Lip, Shielded

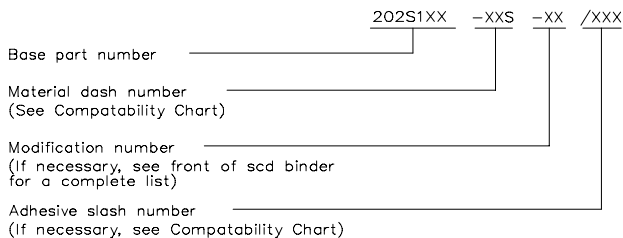
# Thermofit<sup>®</sup> Molded Parts Specification Control Drawing

Part Number : 202S121 thru 174-XXS  
Description : Boot, Straight, with Lip, Shielded

COMPATABILITY CHART					
MATERIAL DASH NO.	MATERIAL DESCRIPTION	RT SPEC	COATING SLASH NO.	COATING S NO.	COATING DESCRIPTION
-3S	Polyolefin/Copper Composite	RT-1370			
-25S	Elastomer/Copper Composite	RT-1371			

**If this document is printed it becomes uncontrolled.  
Check for the latest revision.**

## ORDERING INFORMATION



THIS DRAWING IS SUBJECT TO CHANGE WITHOUT NOTICE; CONSULT YOUR  
NEAREST FIELD REPRESENTATIVE FOR CURRENT REVISION

## Raychem

RAYCHEM CORPORATION  
300 CONSTITUTION DRIVE  
MENLO PARK, CALIFORNIA 94025  
(415) 361-6055

Revision : D  
Date : 7/23/92

Part Number : 202S121 thru 174-XXS  
Description : Boot, Straight, with Lip, Shielded