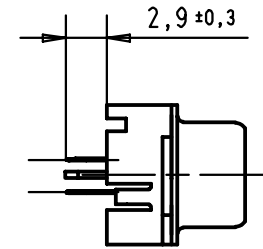
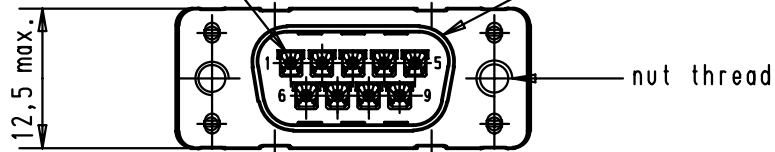


5 4 3 2 1

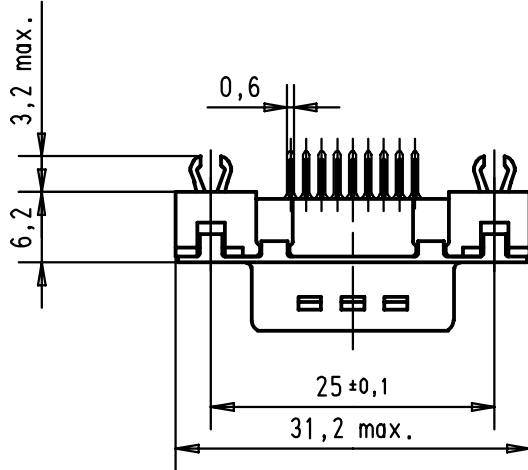
Mating face according to : MIL-C-24308 / DIN 41652 / CECC 75301-802

No. 1 contact

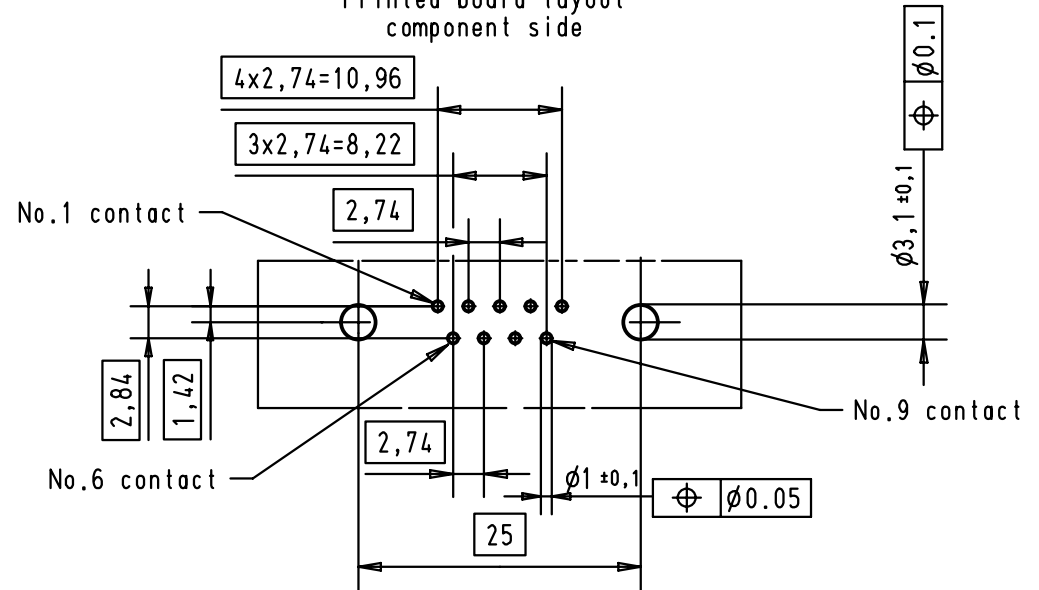
12,5 max.



3,2 max.  
6,2





Printed board layout  
component side



Connector retention and insertion forces on the PCB = 25 / 80 newtons

A

09 65 169 6711	M3	2								 <p>All Dim. in mm Orig. Size DIN A 4</p>	D-Sub, High temperature, 9 poles, male, straight, with solder pins 2.9, nuts and grounding board lock	Maßstab/ Scale  1,5:1
09 65 169 7711	M3	3				Detail.	05-MAR-02	CV				
09 65 169 5711	M3	0.76 µm Au				Insp.						
09 65 169 6712	4-40 UNC	2				Stand.						
09 65 169 7712	4-40 UNC	3				HARTING EURL F-95972 Paris				TB 09 65 169 x71x	Blatt/ Page 1 /	
09 65 169 5712	4-40 UNC	0.76 µm Au	29723	05-MAR-02	CV	Sub.						
Part number	Nut thread	Performance level	Mod.	Dat.	Name							