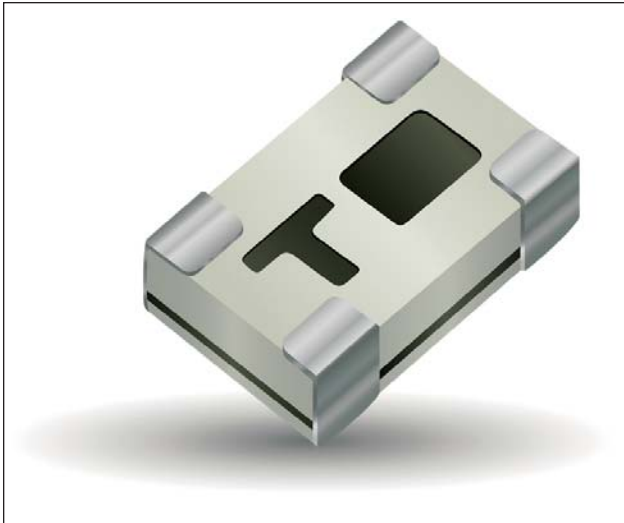


# BP0805 Thin Film Band Pass Filter



## BP0805A1308ASTR



### ITF TECHNOLOGY

The BP0805 Band Pass Filter is based on thin-film multilayer technology. The technology provides a miniature part with excellent high frequency performance and rugged construction for reliable automatic assembly.

The ITF Filter is offered in a variety of frequency bands compatible with various types of high frequency wireless systems.

### FEATURES

- Small size: 0805
- Frequency: 1308MHz
- Band: 1220-1420MHz
- Characteristic impedance: 50Ω
- Operating / Storage temp: -40°C – +85°C
- Low profile
- Rugged construction
- Taped and reeled
- RoHS compliant

### APPLICATIONS

- Mobile communications
- Satellite TV receivers
- GPS
- Vehicle location systems
- Wireless LAN's

### HOW TO ORDER

|        |      |      |                 |          |             |                |
|--------|------|------|-----------------|----------|-------------|----------------|
| BP     | 0805 | A    | 1308            | A        | S           | TR             |
| Series | Size | Type | Frequency (MHz) | Sub-Type | Termination | Taped & Reeled |

### FINAL QUALITY INSPECTION

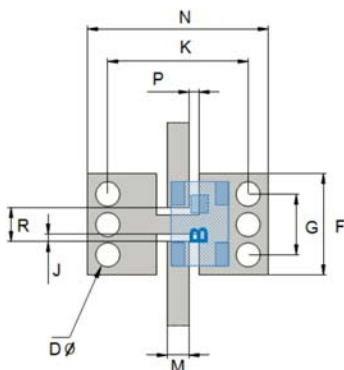
Finished parts are 100% tested for electrical parameters and visual/mechanical characteristics. Each production lot is evaluated on a sample basis for:

- Static Humidity: 85°C, 85% RH, 160 hours
- Endurance : 125°C, IR, 4 hours

### TERMINATION

Nickel/ Lead free Solder coating (Sn100) compatible with automatic soldering technologies: reflow, wave soldering, vapor phase and manual.

### RECOMMENDED PAD LAYOUT mm



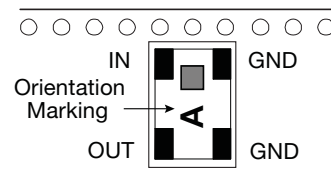
|   |           |
|---|-----------|
| F | 2.5±0.05  |
| G | 1.5±0.05  |
| J | 0.19±0.05 |
| K | 3.48±0.05 |
| M | 0.54±0.25 |
| N | 4.48±0.05 |
| P | 0.25±0.05 |
| R | 0.85±0.05 |
| D | 0.6±0.05  |

### DIMENSIONS (Top View) mm (inches)



|   |                            |
|---|----------------------------|
| L | 2.03±0.1<br>(0.080±0.004)  |
| W | 1.55±0.1<br>(0.061±0.004)  |
| T | 0.80±0.1<br>(0.032±0.004)  |
| A | 0.56±0.25<br>(0.022±0.010) |
| B | 0.35±0.15<br>(0.014±0.006) |

### TERMINALS AND LAYOUT (Top View)



# BP0805 Thin Film Band Pass Filter



BP0805A1308ASTR

## ELECTRICAL CHARACTERISTICS

| Description                     | Value                   |
|---------------------------------|-------------------------|
| Center frequency                | <b>1308 MHz</b>         |
| Impedance                       | 50 Ohm                  |
| Band                            | 1220-1420MHz            |
| I. loss at center frequency     | 1.2dB max.              |
| In-band insertion loss flatness | 0.8dB                   |
| In-band return loss             | 12dB                    |
| Rejection in [760-945 MHz]      | 16dBc min.              |
| Rejection in [2920-3105 MHz]    | 30dBc min               |
| Power handling (CW)             | 5W                      |
| Operating temperature range     | -40/+85°C               |
| Package                         | SMD, standard 0805 size |

## TYPICAL ELECTRICAL PERFORMANCE



# BP0805 Thin Film Band Pass Filter



BP0805A1457ASTR



## ITF TECHNOLOGY

The BP0805 Band Pass Filter is based on thin-film multilayer technology. The technology provides a miniature part with excellent high frequency performance and rugged construction for reliable automatic assembly.

The ITF Filter is offered in a variety of frequency bands compatible with various types of high frequency wireless systems.

## FEATURES

- Small size: 0805
- Frequency: 1457MHz
- Band: 1447-1467MHz
- Characteristic impedance: 50Ω
- Operating / Storage temp: -40°C – +85°C
- Low profile
- Rugged construction
- Taped and reeled
- RoHS compliant

## APPLICATIONS

- Mobile communications
- Satellite TV receivers
- GPS
- Vehicle location systems
- Wireless LAN's

## HOW TO ORDER

**BP**   **0805**   **A**   **1457**   **A**   **S**   **TR**  
 Series   Size   Type   Frequency (MHz)   Sub-Type   Termination   Taped & Reeled

## FINAL QUALITY INSPECTION

Finished parts are 100% tested for electrical parameters and visual/mechanical characteristics. Each production lot is evaluated on a sample basis for:

- Static Humidity: 85°C, 85% RH, 160 hours
- Endurance: 125°C, IR, 4 hours

## TERMINATION

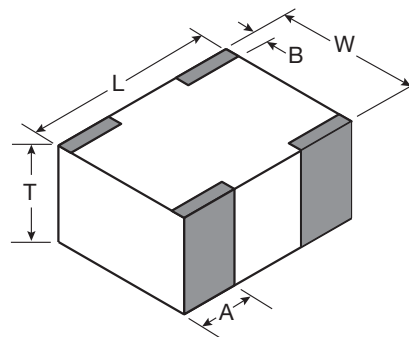
Nickel/ Lead free Solder coating (Sn100) compatible with automatic soldering technologies: reflow, wave soldering, vapor phase and manual.

## RECOMMENDED PAD LAYOUT mm



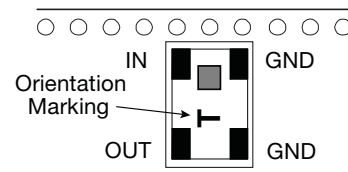
|   |           |
|---|-----------|
| F | 2.5±0.05  |
| G | 1.5±0.05  |
| J | 0.19±0.05 |
| K | 3.48±0.05 |
| M | 0.54±0.25 |
| N | 4.48±0.05 |
| P | 0.25±0.05 |
| R | 0.85±0.05 |
| D | 0.6±0.05  |

## DIMENSIONS (Top View) mm (inches)



|   |                            |
|---|----------------------------|
| L | 2.03±0.1<br>(0.080±0.004)  |
| W | 1.55±0.1<br>(0.061±0.004)  |
| T | 0.80±0.1<br>(0.032±0.004)  |
| A | 0.56±0.25<br>(0.022±0.010) |
| B | 0.35±0.15<br>(0.014±0.006) |

## TERMINALS AND LAYOUT (Top View)



# BP0805 Thin Film Band Pass Filter



BP0805A1457ASTR

## ELECTRICAL CHARACTERISTICS

| Description                 | Value                   |
|-----------------------------|-------------------------|
| Center frequency            | 1457 MHz                |
| Impedance                   | 50 Ohm                  |
| Band                        | 1447-1467MHz            |
| I. loss 1447-1467MHz        | -1.5dB max.             |
| In-band VSWR (return loss)  | <1.8 (-11dB)            |
| Rejection 925-960MHz        | >=20dB                  |
| Rejection in 2110-2170MHz   | >=25dB                  |
| Rejection in 2300-2400MHz   | >=25dB                  |
| Rejection in 2500-2690MHz   | >=30dB                  |
| Rejection 3400-3600MHz      | >=30dB                  |
| Rejection 5150-5925MHz      | >=19dB                  |
| Power handling (CW)         | 5 Watt                  |
| Operating temperature range | -40/+85°C               |
| Package                     | SMD, standard 0805 size |

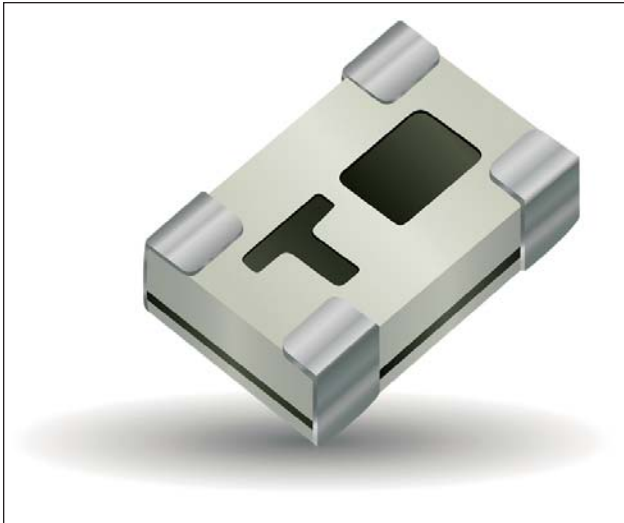
## TYPICAL ELECTRICAL PERFORMANCE



# BP0805 Thin Film Band Pass Filter



## BP0805A1795ASTR



### ITF TECHNOLOGY

The BP0805 Band Pass Filter is based on thin-film multilayer technology. The technology provides a miniature part with excellent high frequency performance and rugged construction for reliable automatic assembly.

The ITF Filter is offered in a variety of frequency bands compatible with various types of high frequency wireless systems.

### FEATURES

- Small size: 0805
- Frequency 1795MHz
- Band: 1785-1805MHz
- Characteristic impedance: 50Ω
- Operating / Storage temp: -40°C – +85°C
- Low profile
- Rugged construction
- Taped and reeled
- RoHS compliant

### APPLICATIONS

- Mobile communications
- Satellite TV receivers
- GPS
- Vehicle location systems
- Wireless LAN's

### HOW TO ORDER

|        |      |      |                 |          |             |                |
|--------|------|------|-----------------|----------|-------------|----------------|
| BP     | 0805 | A    | 1795            | A        | S           | TR             |
| Series | Size | Type | Frequency (MHz) | Sub-Type | Termination | Taped & Reeled |

### FINAL QUALITY INSPECTION

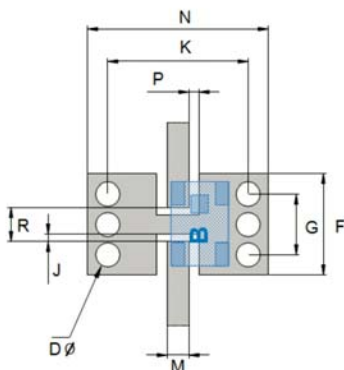
Finished parts are 100% tested for electrical parameters and visual/mechanical characteristics. Each production lot is evaluated on a sample basis for:

- Static Humidity: 85°C, 85% RH, 160 hours
- Endurance: 125°C, IR, 4 hours

### TERMINATION

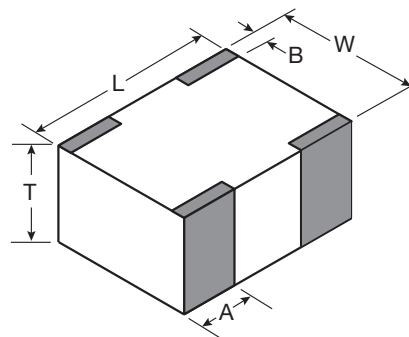
Nickel/ Lead free Solder coating (Sn100) compatible with automatic soldering technologies: reflow, wave soldering, vapor phase and manual.

### RECOMMENDED PAD LAYOUT mm



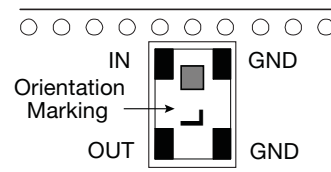
|   |           |
|---|-----------|
| F | 2.5±0.05  |
| G | 1.5±0.05  |
| J | 0.19±0.05 |
| K | 3.48±0.05 |
| M | 0.54±0.25 |
| N | 4.48±0.05 |
| P | 0.25±0.05 |
| R | 0.85±0.05 |
| D | 0.6±0.05  |

### DIMENSIONS (Top View) mm (inches)



|   |                            |
|---|----------------------------|
| L | 2.03±0.1<br>(0.080±0.004)  |
| W | 1.55±0.1<br>(0.061±0.004)  |
| T | 0.80±0.1<br>(0.032±0.004)  |
| A | 0.56±0.25<br>(0.022±0.010) |
| B | 0.35±0.15<br>(0.014±0.006) |

### TERMINALS AND LAYOUT (Top View)



# BP0805 Thin Film Band Pass Filter

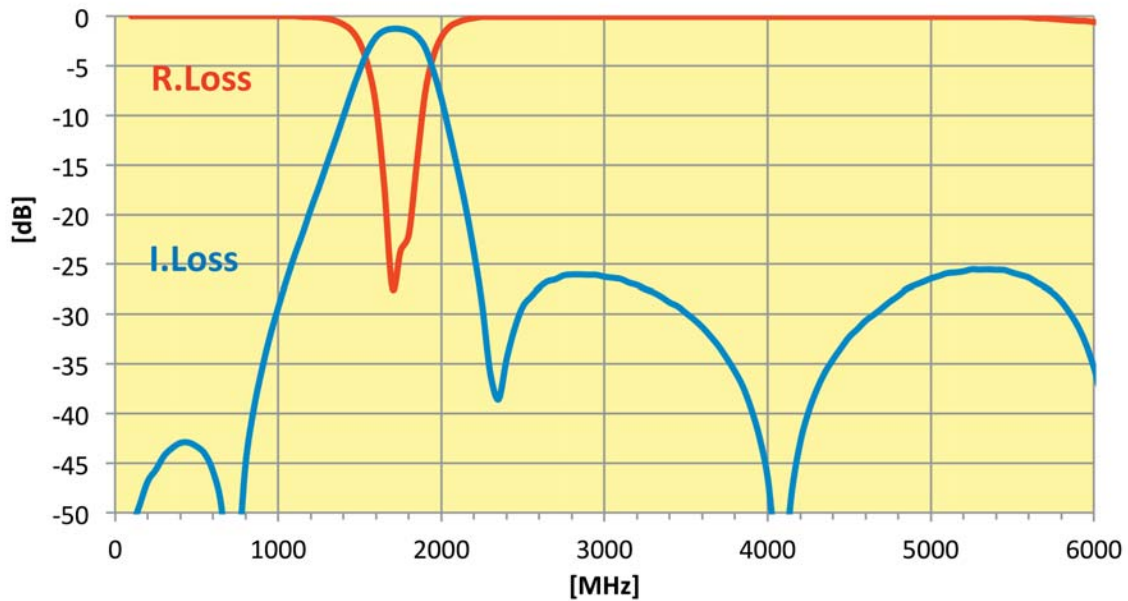


BP0805A1795ASTR

## ELECTRICAL CHARACTERISTICS

| Description                 | Value                   |
|-----------------------------|-------------------------|
| Center frequency            | <b>1795 MHz</b>         |
| Impedance                   | 50 Ohm                  |
| Band                        | 1785-1805MHz            |
| I. loss in band             | -1.8dB max.             |
| Return loss in band         | -15dB                   |
| Rejection in [869~894MHz]   | -30dBc min.             |
| Rejection in [925~960 MHz]  | -30dBc min              |
| Rejection in [2300~2400MHz] | -30dBc min              |
| rejection in [2496~2690MHz] | -25dBc min , -30dBc typ |
| Rejection in [3400~3600MHz] | -25dBc min , -30dBc typ |
| Rejection in [5150~5925MHz] | -25dBc min , -30dBc typ |
| Power handling (CW)         | 5 Watt                  |
| Operating temperature range | -40/+85°C               |
| Package                     | SMD, standard 0805 size |

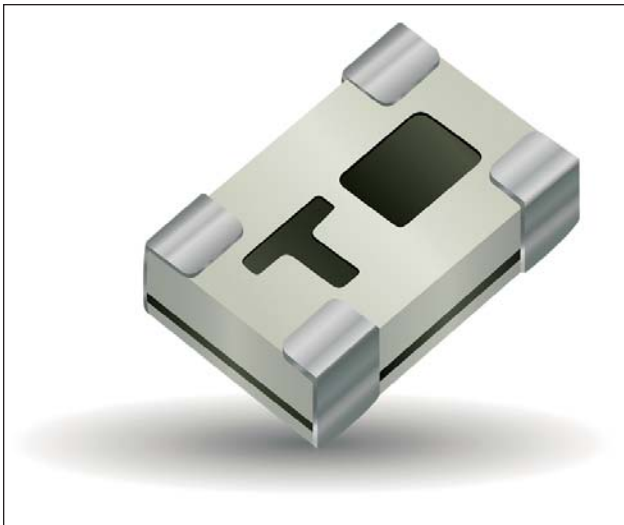
## TYPICAL ELECTRICAL PERFORMANCE



# BP0805 Thin Film Band Pass Filter



## BP0805A2160ASTR



### ITF TECHNOLOGY

The BP0805 Band Pass Filter is based on thin-film multilayer technology. The technology provides a miniature part with excellent high frequency performance and rugged construction for reliable automatic assembly.

The ITF Filter is offered in a variety of frequency bands compatible with various types of high frequency wireless systems.

### FEATURES

- Small size: 0805
- Frequency: 2160MHz
- Band: 1960-2360MHz
- Characteristic impedance: 50Ω
- Operating / Storage temp: -40°C – +85°C
- Low profile
- Rugged construction
- Taped and reeled
- RoHS compliant

### APPLICATIONS

- Mobile communications
- Satellite TV receivers
- GPS
- Vehicle location systems
- Wireless LAN's

### HOW TO ORDER

|        |      |      |                 |          |             |                |
|--------|------|------|-----------------|----------|-------------|----------------|
| BP     | 0805 | A    | 2160            | A        | S           | TR             |
| Series | Size | Type | Frequency (MHz) | Sub-Type | Termination | Taped & Reeled |

### FINAL QUALITY INSPECTION

Finished parts are 100% tested for electrical parameters and visual/mechanical characteristics. Each production lot is evaluated on a sample basis for:

- Static Humidity: 85°C, 85% RH, 160 hours
- Endurance: 125°C, IR, 4 hours

### TERMINATION

Nickel/ Lead free Solder coating (Sn100) compatible with automatic soldering technologies: reflow, wave soldering, vapor phase and manual.

### RECOMMENDED PAD LAYOUT mm



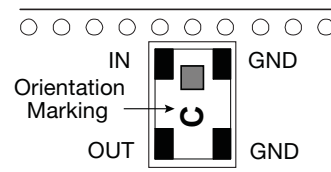
|   |           |
|---|-----------|
| F | 2.5±0.05  |
| G | 1.5±0.05  |
| J | 0.19±0.05 |
| K | 3.48±0.05 |
| M | 0.54±0.25 |
| N | 4.48±0.05 |
| P | 0.25±0.05 |
| R | 0.85±0.05 |
| D | 0.6±0.05  |

### DIMENSIONS (Top View) mm (inches)



|   |                            |
|---|----------------------------|
| L | 2.03±0.1<br>(0.080±0.004)  |
| W | 1.55±0.1<br>(0.061±0.004)  |
| T | 0.80±0.1<br>(0.032±0.004)  |
| A | 0.56±0.25<br>(0.022±0.010) |
| B | 0.35±0.15<br>(0.014±0.006) |

### TERMINALS AND LAYOUT (Top View)





# BP0805 Thin Film Band Pass Filter

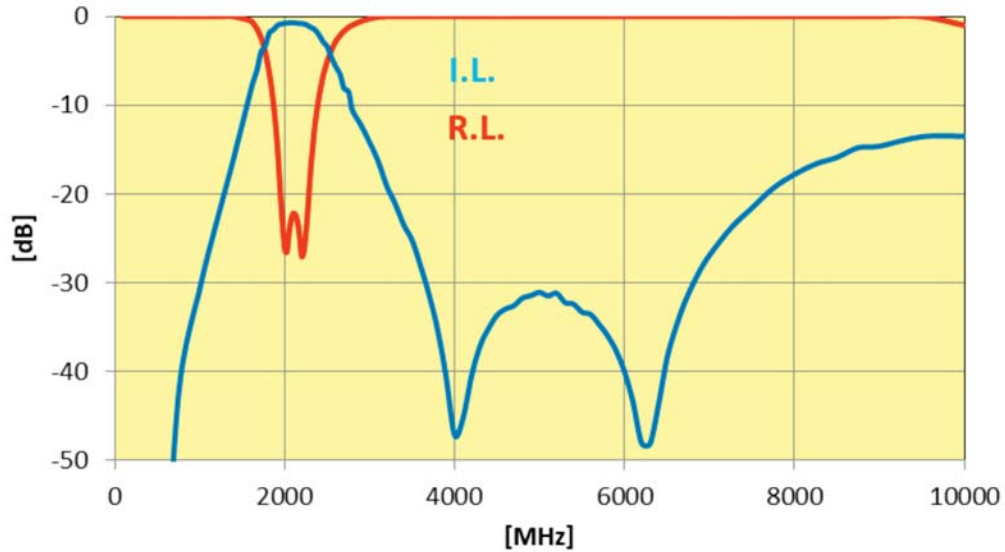


BP0805A2160ASTR

## ELECTRICAL CHARACTERISTICS

| Description                 | Value                   |
|-----------------------------|-------------------------|
| Center frequency            | <b>2160 MHz</b>         |
| Impedance                   | 50 Ohm                  |
| Band                        | 1960-2360MHz            |
| I. loss at center frequency | 0.85dB max              |
| In-band return loss         | 18dB                    |
| Rejection at 440MHz         | 59dB                    |
| Rejection at 4320MHz        | 42dB                    |
| Rejection at 6480MHz        | 38dB                    |
| Power handling (CW)         | 5W                      |
| Operating temperature range | -40/+85°C               |
| Package                     | SMD, standard 0805 size |

## TYPICAL ELECTRICAL PERFORMANCE

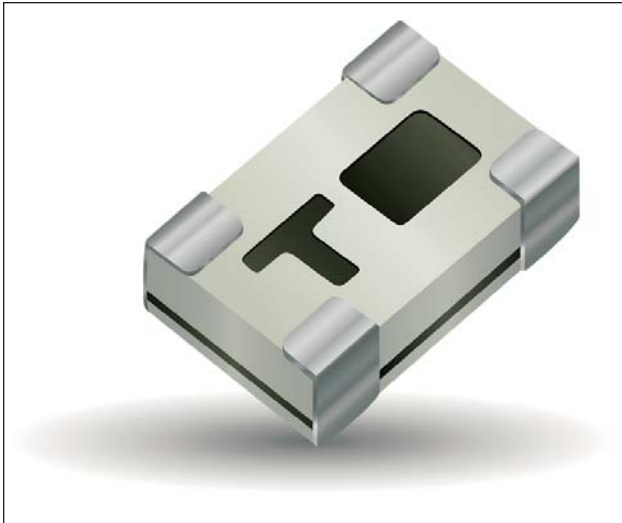




# BP0805 Thin Film Band Pass Filter



## BP0805A4320ASTR



### ITF TECHNOLOGY

The BP0805 Band Pass Filter is based on thin-film multilayer technology. The technology provides a miniature part with excellent high frequency performance and rugged construction for reliable automatic assembly.

The ITF Filter is offered in a variety of frequency bands compatible with various types of high frequency wireless systems.

### FEATURES

- Small size: 0805
- Frequency: 4320MHz
- Band: 4120-4520MHz
- Characteristic impedance: 50Ω
- Operating / Storage temp: -40°C – +85°C
- Low profile
- Rugged construction
- Taped and reeled
- RoHS compliant

### APPLICATIONS

- Mobile communications
- Satellite TV receivers
- GPS
- Vehicle location systems
- Wireless LAN's

### HOW TO ORDER

|        |      |      |                 |          |             |                |
|--------|------|------|-----------------|----------|-------------|----------------|
| BP     | 0805 | A    | 4320            | A        | S           | TR             |
| Series | Size | Type | Frequency (MHz) | Sub-Type | Termination | Taped & Reeled |

### FINAL QUALITY INSPECTION

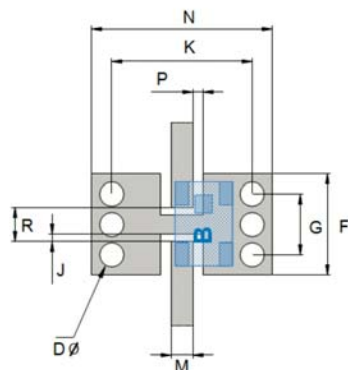
Finished parts are 100% tested for electrical parameters and visual/mechanical characteristics. Each production lot is evaluated on a sample basis for:

- Static Humidity: 85°C, 85% RH, 160 hours
- Endurance: 125°C, IR, 4 hours

### TERMINATION

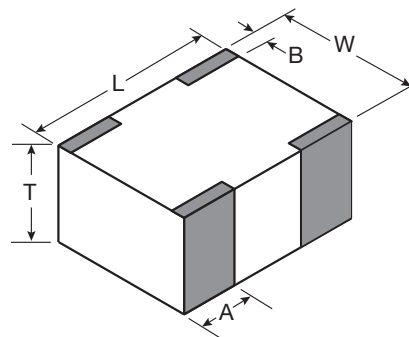
Nickel/ Lead free Solder coating (Sn100) compatible with automatic soldering technologies: reflow, wave soldering, vapor phase and manual.

### RECOMMENDED PAD LAYOUT mm



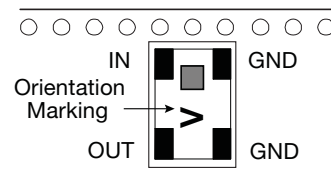
|   |           |
|---|-----------|
| F | 2.5±0.05  |
| G | 1.5±0.05  |
| J | 0.19±0.05 |
| K | 3.48±0.05 |
| M | 0.54±0.25 |
| N | 4.48±0.05 |
| P | 0.25±0.05 |
| R | 0.85±0.05 |
| D | 0.6±0.05  |

### DIMENSIONS (Top View) mm (inches)



|   |                            |
|---|----------------------------|
| L | 2.03±0.1<br>(0.080±0.004)  |
| W | 1.55±0.1<br>(0.061±0.004)  |
| T | 0.80±0.1<br>(0.032±0.004)  |
| A | 0.56±0.25<br>(0.022±0.010) |
| B | 0.35±0.15<br>(0.014±0.006) |

### TERMINALS AND LAYOUT (Top View)



# BP0805 Thin Film Band Pass Filter



BP0805A4320ASTR

## ELECTRICAL CHARACTERISTICS

| Description                 | Value              |
|-----------------------------|--------------------|
| Center frequency            | 4320 MHz           |
| Impedance                   | 50 Ohm             |
| Band                        | 4120-4520MHz       |
| I. loss at center frequency | 1.2dB max          |
| R loss at center frequency  | 15dB               |
| Rejection at 2160MHz        | 45dBc min          |
| Rejection at 6480MHz        | 39dBc min          |
| Rejection at 8640MHz        | 44dBc min          |
| Power handling (CW)         | 5W                 |
| Operating temperature range | -40/+85°C          |
| Package                     | SMD, standard 0805 |

## TYPICAL ELECTRICAL PERFORMANCE

