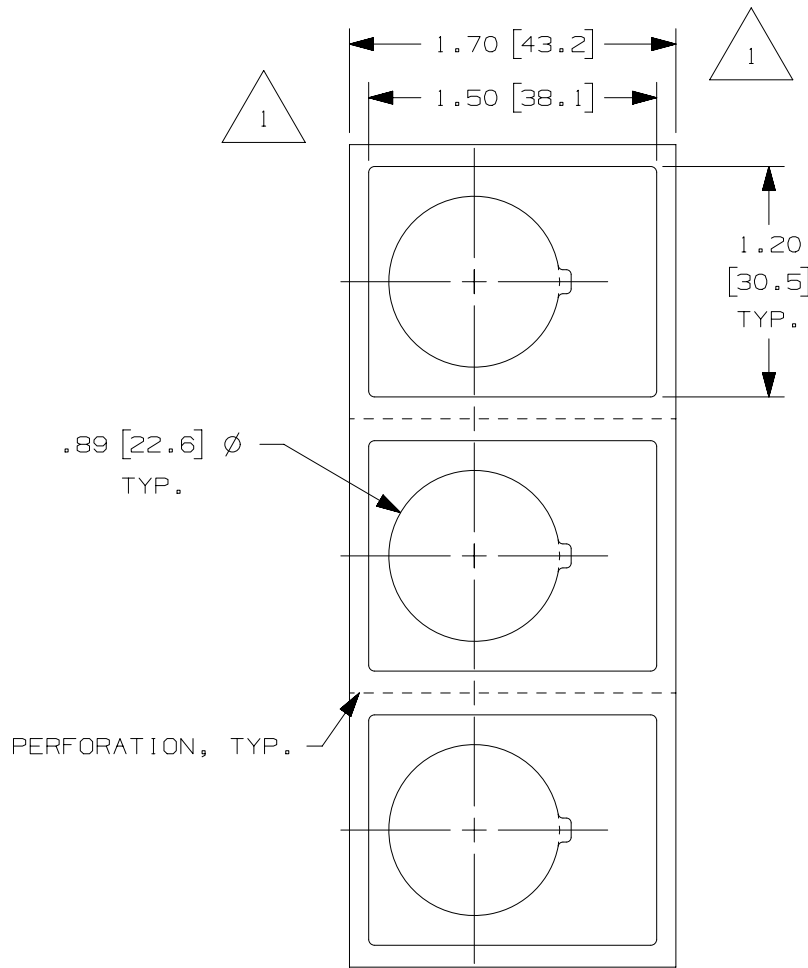


THIS COPY IS PROVIDED ON A RESTRICTED BASIS AND IS NOT TO BE USED IN ANY WAY DETRIMENTAL TO THE INTERESTS OF PANDUIT CORP.



PANDUIT PART NO.	PKG. QTY.
C120X150YK-22	500

NOTES:
1. MILLIMETER ARE IN [].

REV	DATE	BY	CHK	APR	DESCRIPTION	ECN
1	3/5/15	RVU	SEWH	JHAC	GMH3-OVERLAM WAS GMY OVERLAM. UPDATE TOLERANCES, AND TITLE.	GAECN02684
0	4/2/09	RVU			DRAWING RELEASE.	5646

TITLE		C120X150YK-22 RAISED PANEL LABEL KEYHOLE OVERLAMINATE CUSTOMER DRAWING	
ITEM REVISION NAME		I00491CA/01	
DATASET FILE NAME		I00491CA_DC_C10757/01B	
UNLESS OTHERWISE SPECIFIED, DIMENSIONAL TOLERANCES ARE: IN (mm)		MATERIAL:	
.x ± .12 [3.05] .xxx ± .025 [.635]		GMH3-OVERLAM	
.xx ± .062 [1.57] ANGLES ±		DRAWING NUMBER:	
 THIRD ANGLE PROJECTION		C10757	
DRAWN BY	DATE	CHK	SCALE
RVU	1/19/09	JHAC	NTS
SHT 1 OF 1			SIZE
			A