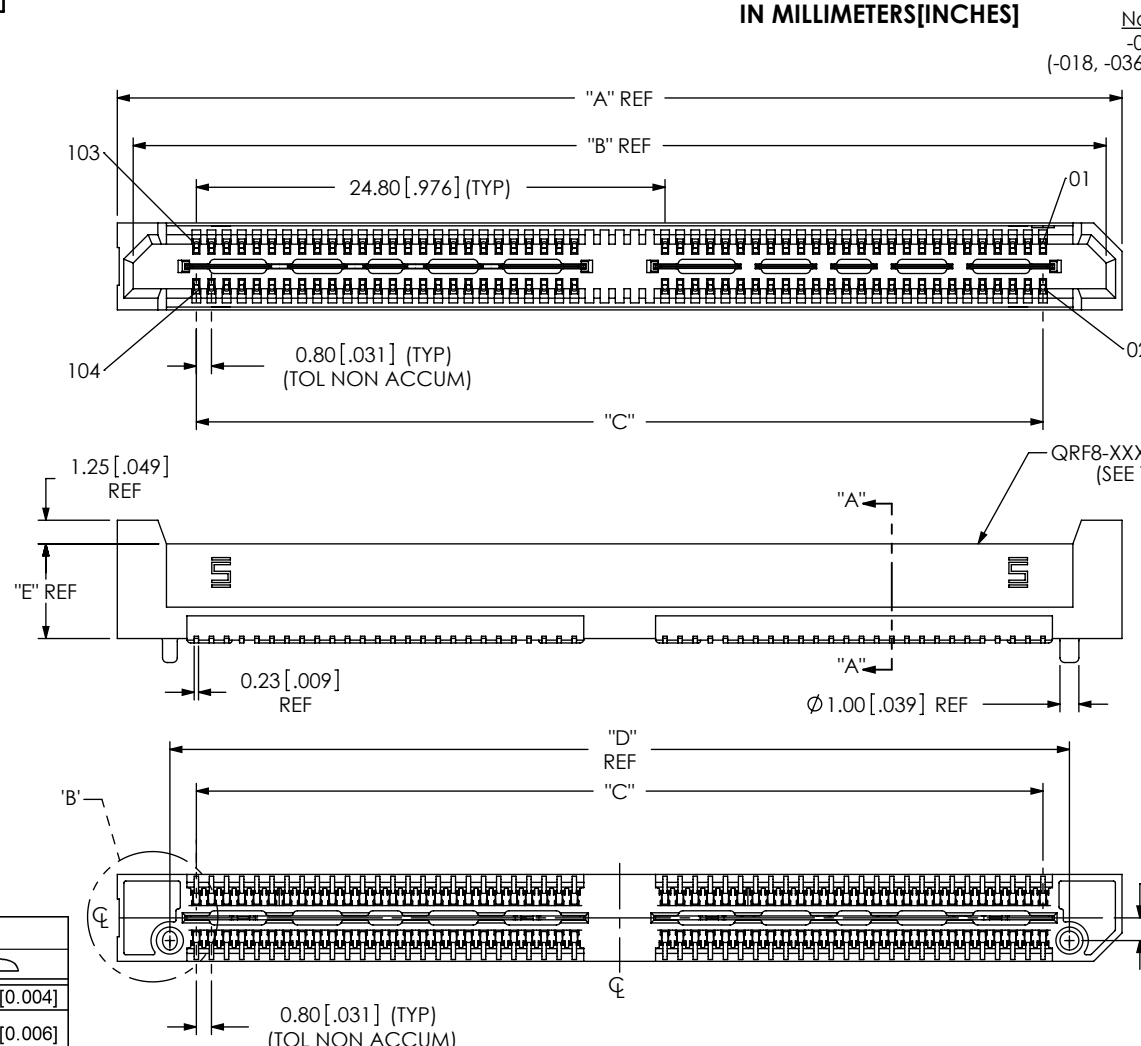


DESIGNED & DIMENSIONED  
IN MILLIMETERS [INCHES]

QRF8-XXX-XX.X-X-D-XX-A-XX



No OF POSITIONS  
-026, -052 & -078  
(-018, -036, & -054 FOR -DP ONLY)

LEAD STYLE  
-05.0 = 5mm  
-07.0 = 7mm

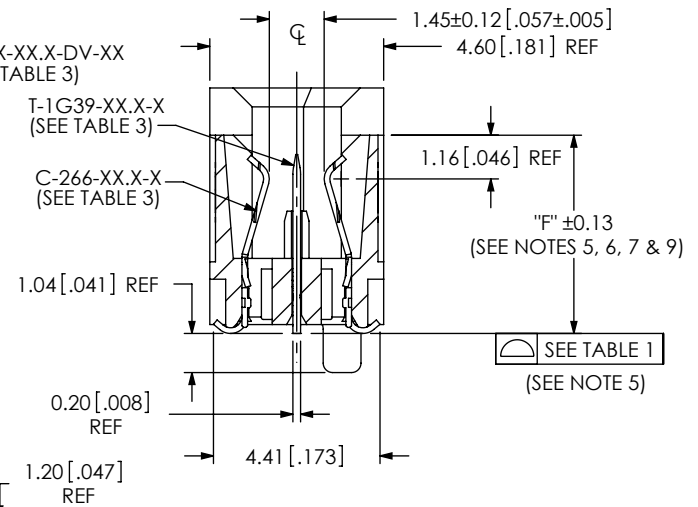
PLATING SPECIFICATION  
-L: LIGHT SELECTIVE GOLD / MATTE TIN  
(USE C-266-XX.X-L & T-1G39-XX.X-L)  
-S: SELECTIVE GOLD / MATTE TIN  
(USE C-266-XX.X-S & T-1G39-XX.X-S)

OPTION  
-GP: GUIDE POST  
(SHEET 3, FIG 3)  
(SEE NOTE 8)  
-K: POLYIMIDE FILM PAD  
-TR: TAPE & REEL  
(SEE NOTE 4)

OPTION  
-A: ALIGNMENT PIN

OPTION  
-DP: DIFFERENTIAL PAIRS

ROW SPECIFICATION  
-D: DOUBLE VERTICAL



SECTION "A"- "A"  
SCALE 5 : 1

- NOTES:
- ⊕ REPRESENTS A CRITICAL DIMENSION.
  - BURR ALLOWANCE: 0.038 [.0015] MAX.
  - MINIMUM PUSHOUT FORCE: SIGNAL: 1.80 N [.4 LB.]  
GROUND PLANE 4.44 N [1 LB.]
  - PARTS TO BE PACKAGED IN TRAYS, UNLESS -TR OPTION IS SPECIFIED.  
-054 & -078 POSITION NOT AVAILABLE IN TAPE AND REEL.
  - DIMENSION APPLIES TO CONTACTS & GROUND PLANE.
  - GROUND PLANE PRESS HEIGHT MUST BE .003 [.08] LESS THAN THE MAX HEIGHT OR .001 [.03] GREATER THAN THE MINIMUM HEIGHT OF THE TERMINAL.
  - MAX VARIANCE OF 0.05 [.002]
  - PARTS WITH THE -GP OPTION MUST MATE TO -GP OPTIONED QRM8 PARTS AND PARTS WITH NON -GP OPTION MUST MATE TO NON-GP OPTIONED QRM8 PARTS
  - GROUND PLANE AIR PRESSURE TO BE SET AT 20-25 PSI

No OF POS	⊕
-018, -026	0.10 [0.004]
-036, -052, -054, -078	0.15 [0.006]

STACK HEIGHT		
QRF8 LEAD STYLE	QRM8 LEAD STYLE	
	-02.0	-05.0
-05.0	7.0MM	10.0MM
-07.0	9.0MM	12.0MM

LEAD STYLE	QRF8-XXX-XX.X-DV-XX	C-266-XX.X-X	T-1G39-XX.X-X
-05.0	QRF8-XXX-05.0-DV-XX	C-266-05.0-X	T-1G39-05.0-X
-07.0	QRF8-XXX-07.0-DV-XX	C-266-07.0-X	T-1G39-07.0-X

POSITION	"A"	"B"	"C"	"D"
-018, -026	28.37 [1.117]	26.69 [1.051]	20.00 [0.787]	22.80 [0.898]
-036, -052	53.17 [2.093]	51.49 [2.027]	44.80 [1.764]	47.60 [1.874]
-054, -078	77.97 [3.070]	76.29 [3.004]	69.60 [2.740]	72.40 [2.850]

LEAD STYLE	"E"	"F"
-05.0	5.01 [0.197]	5.25 [0.207]
-07.0	7.01 [0.276]	7.25 [0.285]

FIG 1  
(QRF8-052-05.0-X-D-A SHOWN)

UNLESS OTHERWISE SPECIFIED, DIMENSIONS ARE IN MILLIMETERS [INCHES]. TOLERANCES ARE:  
DECIMALS ANGLES  
X.X: ±0.3 [.01] 2°  
X.XX: ±0.13 [.005]  
X.XXX: ±0.050 [.0020]

PROPRIETARY NOTE  
THIS DOCUMENT CONTAINS CONFIDENTIAL AND PROPRIETARY INFORMATION AND ALL DESIGN, MANUFACTURING, REPRODUCTION, USE, PATENT RIGHTS AND SALES RIGHTS ARE EXPRESSLY RESERVED BY SAMTEC, INC. THIS DOCUMENT SHALL NOT BE DISCLOSED, IN WHOLE OR PART, TO ANY UNAUTHORIZED PERSON OR ENTITY NOR REPRODUCED, TRANSFERRED OR INCORPORATED IN ANY OTHER PROJECT IN ANY MANNER WITHOUT THE EXPRESS WRITTEN CONSENT OF SAMTEC, INC.

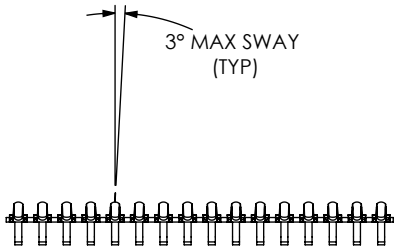
520 PARK EAST BLVD, NEW ALBANY, IN 47150  
PHONE: 812-944-6733 FAX: 812-948-5047  
e-Mail: info@SAMTEC.com code: 55322

MATERIAL: DO NOT SCALE DRAWING SHEET SCALE: 2:1  
INSULATOR: LCP, COLOR: BLACK  
CONTACT: BeCu  
GROUND PLANE: PHOS BRONZE

DESCRIPTION:  
.8MM Q-RATE SOCKET ASSEMBLY  
DWG. NO.  
QRF8-XXX-XX.X-X-D-XX-A-XX

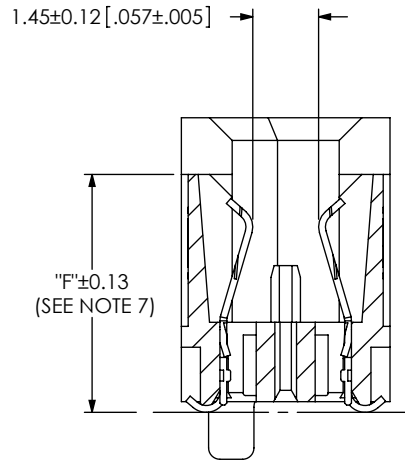
IN PROCESS 1

CUT C-266-XX.X-X CONTACT COMBS

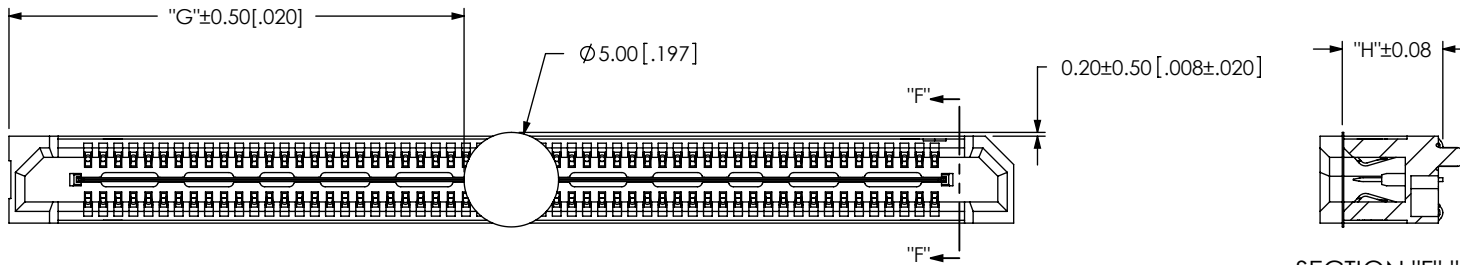
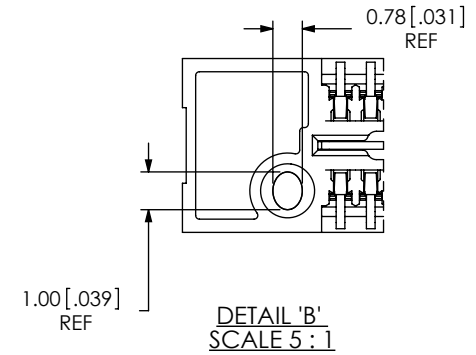


0.11±0.076 [.004±.003]

IN PROCESS 2  
FILL C-266-XX.X-X CONTACTS



SEE TABLE 1



SECTION "F"-"F"  
SCALE 2.5 : 1

POSITION	"G"
-018, -026	11.68 [0.460]
-018 GP, -026 GP	12.52 [0.493]
-036, -052	24.08 [0.948]
-036 GP, -052 GP	24.92 [0.981]
-054, -078	36.49 [1.437]
-054 GP, -078 GP	37.33 [1.470]

LEAD STYLE	"H"
-05.0	5.372 [0.2115]
-07.0	7.371 [0.2902]

FIG 2  
-K OPTION  
(USE K-DOT-.197-.344-.005)  
(QRF8-052-05.0-X-D-A-K SHOWN)  
(SAME AS FIG 1 DIFFERENT AS SHOWN)

**PROPRIETARY NOTE**  
THIS DOCUMENT CONTAINS CONFIDENTIAL AND PROPRIETARY INFORMATION AND ALL DESIGN, MANUFACTURING, REPRODUCTION, USE, PATENT RIGHTS AND SALES RIGHTS ARE EXPRESSLY RESERVED BY SAMTEC, INC. THIS DOCUMENT SHALL NOT BE DISCLOSED, IN WHOLE OR PART, TO ANY UNAUTHORIZED PERSON OR ENTITY NOR REPRODUCED, TRANSFERRED OR INCORPORATED IN ANY OTHER PROJECT IN ANY MANNER WITHOUT THE EXPRESS WRITTEN CONSENT OF SAMTEC, INC.

DO NOT SCALE DRAWING

SHEET SCALE: 2:1



520 PARK EAST BLVD, NEW ALBANY, IN 47150  
PHONE: 812-944-6733 FAX: 812-948-5047  
e-Mail: info@SAMTEC.com code: 55322

DESCRIPTION:  
.8MM Q-RATE SOCKET ASSEMBLY

DWG. NO.  
QRF8-XXX-XX.X-X-D-XX-A-XX

BY: M MURILLO 7/10/2008 SHEET 2 OF 4

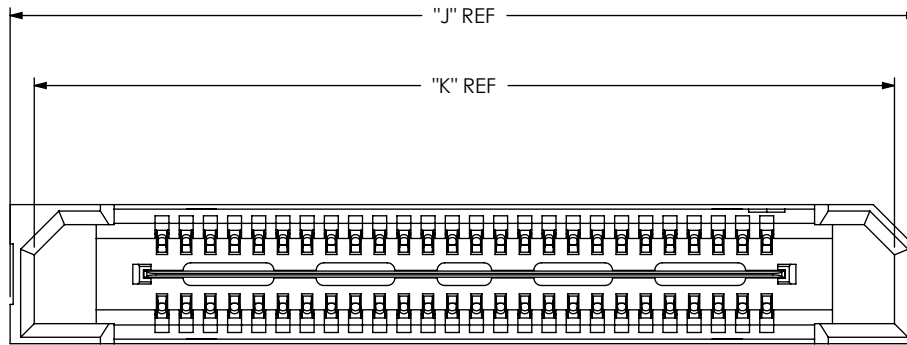


TABLE 8		
POSITION	"J"	"K"
-018, -026	30.05 [1.183]	28.45 [1.120]
-036, -052	54.85 [2.159]	53.25 [2.096]
-054, -078	79.65 [3.136]	78.05 [3.073]

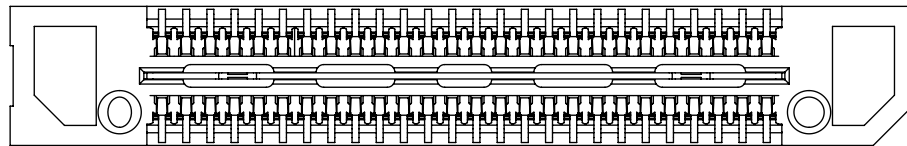
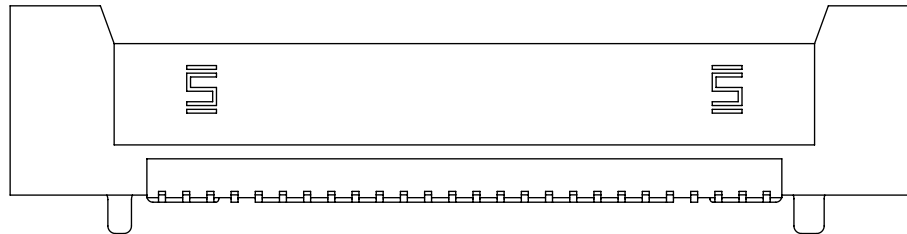
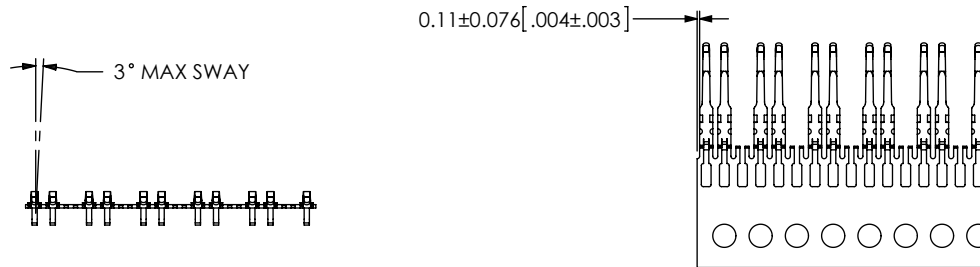


FIG 3  
-GP OPTION  
(QRF8-026-05.0-X-D-A-GP SHOWN)  
(SAME AS FIG 2 DIFFERENT AS SHOWN)



IN PROCESS 3  
CUT C-266-XX.X-X CONTACT COMBS  
(FOR QRF8-018-05.0-X-D-DP-A-GP)

**PROPRIETARY NOTE**  
THIS DOCUMENT CONTAINS CONFIDENTIAL AND PROPRIETARY INFORMATION AND ALL DESIGN, MANUFACTURING, REPRODUCTION, USE, PATENT RIGHTS AND SALES RIGHTS ARE EXPRESSLY RESERVED BY SAMTEC, INC. THIS DOCUMENT SHALL NOT BE DISCLOSED, IN WHOLE OR PART, TO ANY UNAUTHORIZED PERSON OR ENTITY NOR REPRODUCED, TRANSFERRED OR INCORPORATED IN ANY OTHER PROJECT IN ANY MANNER WITHOUT THE EXPRESS WRITTEN CONSENT OF SAMTEC, INC.

DO NOT SCALE DRAWING

SHEET SCALE: 4:1



520 PARK EAST BLVD, NEW ALBANY, IN 47150  
PHONE: 812-944-6733 FAX: 812-948-5047  
e-Mail: info@SAMTEC.com code: 55322

DESCRIPTION:  
.8MM Q-RATE SOCKET ASSEMBLY

DWG. NO.  
QRF8-XXX-XX.X-X-D-XX-A-XX

BY: M MURILLO 7/10/2008 SHEET 3 OF 4

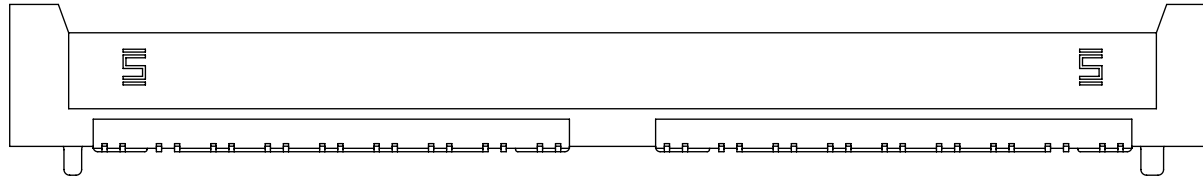
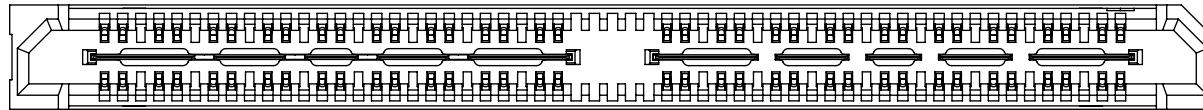


FIG 4  
(QRF8-036-05.0-X-D-DP-A-GP SHOWN)  
(SAME AS FIG 3 DIFFERENT AS SHOWN)

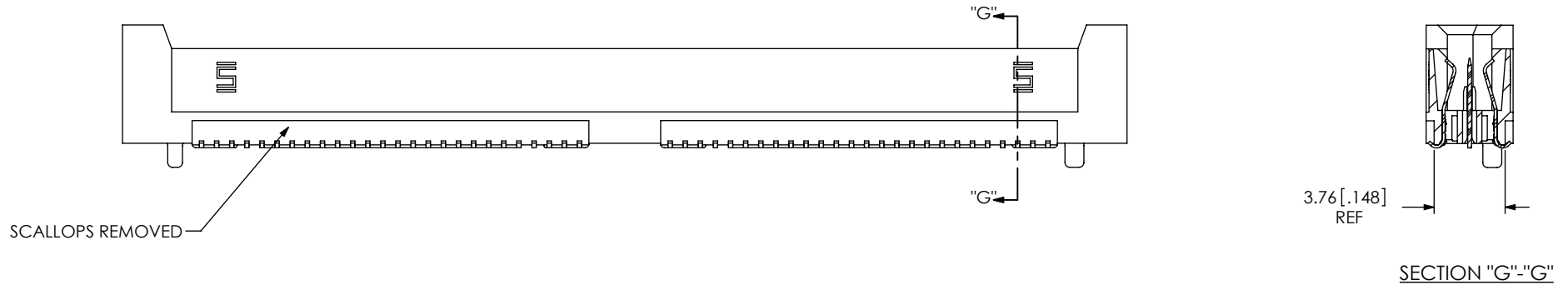


FIG 5  
(QRF8-078-05.0-X-D-A SHOWN)  
(DIFFERENT AS SHOWN FOR ALL 3 BANK ASSEMBLIES)

**PROPRIETARY NOTE**  
THIS DOCUMENT CONTAINS CONFIDENTIAL AND PROPRIETARY INFORMATION AND ALL DESIGN, MANUFACTURING, REPRODUCTION, USE, PATENT RIGHTS AND SALES RIGHTS ARE EXPRESSLY RESERVED BY SAMTEC, INC. THIS DOCUMENT SHALL NOT BE DISCLOSED, IN WHOLE OR PART, TO ANY UNAUTHORIZED PERSON OR ENTITY NOR REPRODUCED, TRANSFERRED OR INCORPORATED IN ANY OTHER PROJECT IN ANY MANNER WITHOUT THE EXPRESS WRITTEN CONSENT OF SAMTEC, INC.

DO NOT SCALE DRAWING

SHEET SCALE: 3:1

**samtec**

520 PARK EAST BLVD, NEW ALBANY, IN 47150  
PHONE: 812-944-6733 FAX: 812-948-5047  
e-Mail: info@SAMTEC.com code: 55322

DESCRIPTION: .8MM Q-RATE SOCKET ASSEMBLY

DWG. NO. QRF8-XXX-XX.X-X-D-XX-A-XX

BY: M MURILLO 7/10/2008 SHEET 4 OF 4