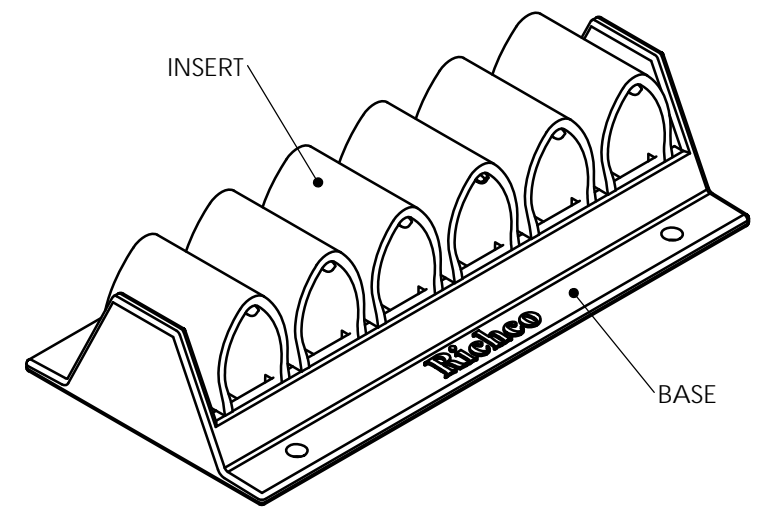
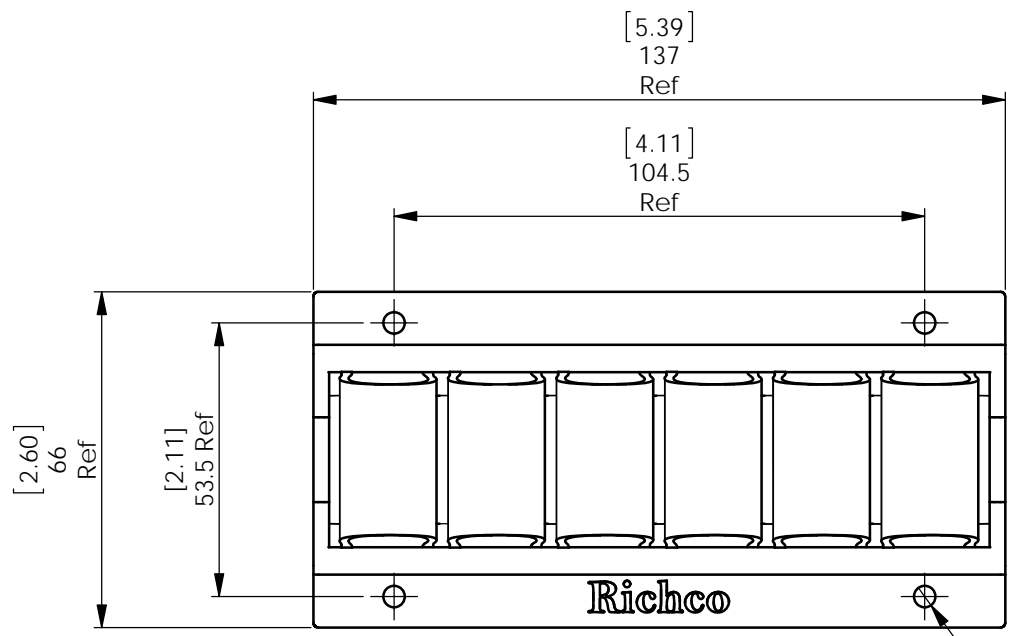
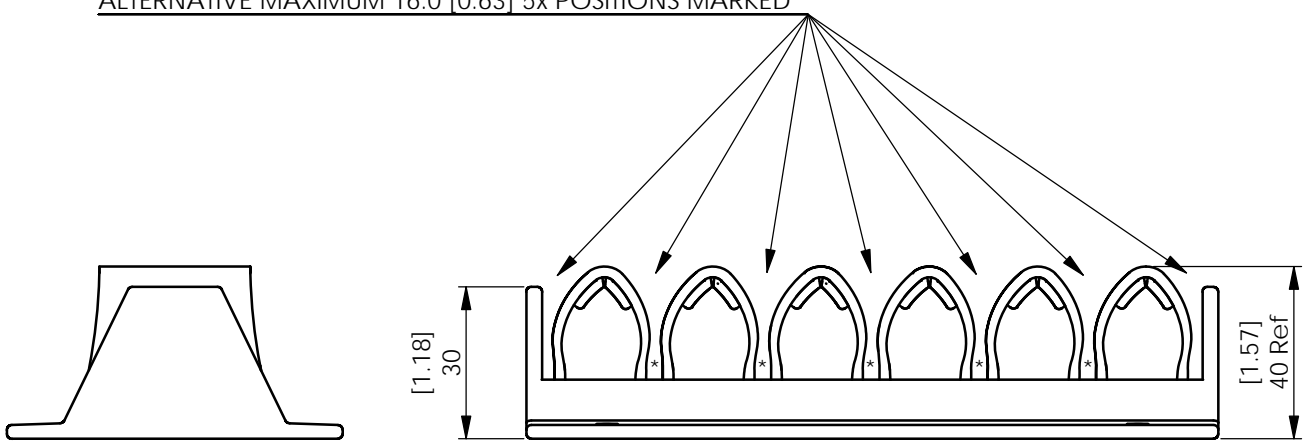


| REV. | MODIFICATION. | DATE | DRN |
|------|-------------------|----------|-----|
| 01 | Catalogue Release | 19/10/11 | TC |
| 02 | CO2011225 | 05/01/12 | SF |
| 03 | CO2011246 | 15/02/12 | SF |



TO GRIP BUNDLE DIAMETERS:
 MINIMUM 2.0 [0.08] 7x POSITIONS ARROWED
 MAXIMUM 12.0 [0.47] 7x POSITIONS ARROWED
 ALTERNATIVE MAXIMUM 16.0 [0.63] 5x POSITIONS MARKED *



NOTE:
 SUPPLIED ASSEMBLED WITH SIX REMOVABLE INSERTS

| | | | | | |
|--|---------------|---------------------------|--|-------------|------------------|
| INFORMATION CONTAINED IN THIS DOCUMENT IS CONFIDENTIAL TO RICHCO INTERNATIONAL Co. Ltd. AND MAY NOT BE DISCLOSED OR REPRODUCED IN WHOLE OR PART WITHOUT THEIR WRITTEN CONSENT. | | | | | |
| RICHCO, INC. WWW.RICHCO-INC.COM | | | ALL DIMENSIONS IN mm GENERAL TOLERANCES ±0.25 UNLESS OTHERWISE STATED 1 DECIMAL PLACE ±0.25 2 DECIMAL PLACES ± 0.10 ANGULAR ±1° | | THIRD ANGLE |
| MATERIAL: BASE: HDPE (RMS-432) INSERT: TPE (RMS-433) | | | COLOUR: BLACK | | |
| DESCRIPTION: CABLE GRIP | | | PART No: UCG-6BK | | |
| DRG No: 011-101 | | PROJECT NUMBER: EU11-0010 | | Mass:(g) 70 | SHEET SIZE A4 |
| DRN SF | DATE 19/09/11 | CHKD TC | DATE 19/10/11 | SCALE NTS | SHEET No. 1 OF 1 |