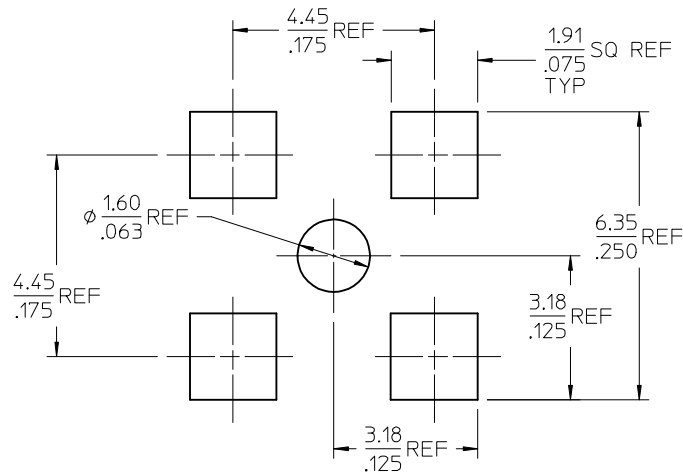
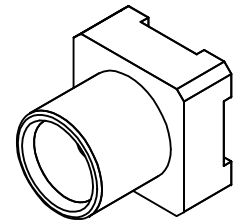


MATERIALS AND FINISHES:

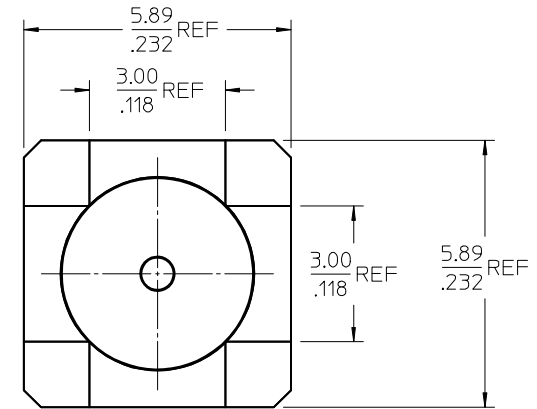
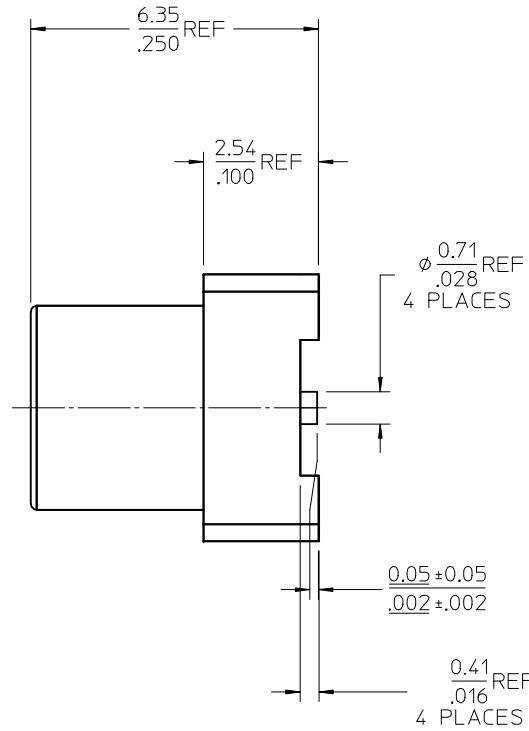
BODY: BRASS
PLATED SEE TABLE

CENTER CONTACT: BERYLLIUM COPPER
PLATED SEE TABLE

INSULATOR: PTFE



RECOMMENDED MOUNTING PATTERN



CHG: VIEWS UPD FOR INSULATOR & BODY DESIGN CHG ADD PLATING TABLE ON SHT 2.
EC NO: URF2017-0078
DRW:BBHARADWAJ.D 2016/08/10
CHKD:AZR 2016/08/10
APPR:AROBERTSON 2016/08/11

REV	DESCRIPTION
A6	

QUALITY SYMBOLS	
	0
	0
	0

GENERAL TOLERANCES (UNLESS SPECIFIED)	
mm	INCH
4 PLACES ± .005	± .0004
3 PLACES ± .005	± .0004
2 PLACES ± .005	± .0004
1 PLACE ± .005	± .0004
0 PLACE ± .005	± .0004

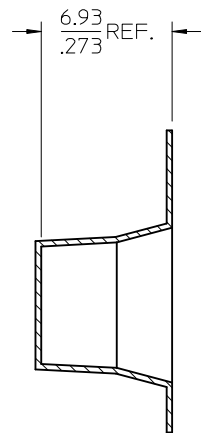
DIMENSION STYLE		SCALE	DESIGN UNITS	THIRD ANGLE PROJECTION
MM/IN			METRIC	
DRAWN BY	DATE	TITLE	<p>MCX JACK,PCB,SMT,75 OHMS MCX-J/PCB</p> <p>molex</p> <p>DOCUMENT NO. SD-73415-163</p> <p>SHEET NO. 1 OF 4</p>	
CHECKED BY	DATE			
APPROVED BY	DATE			
MATERIAL NO.				

ANGULAR ± 2 °
DRAFT WHERE APPLICABLE MUST REMAIN WITHIN DIMENSIONS
SIZE C
THIS DRAWING CONTAINS INFORMATION THAT IS PROPRIETARY TO MOLEX INCORPORATED AND SHOULD NOT BE USED WITHOUT WRITTEN PERMISSION

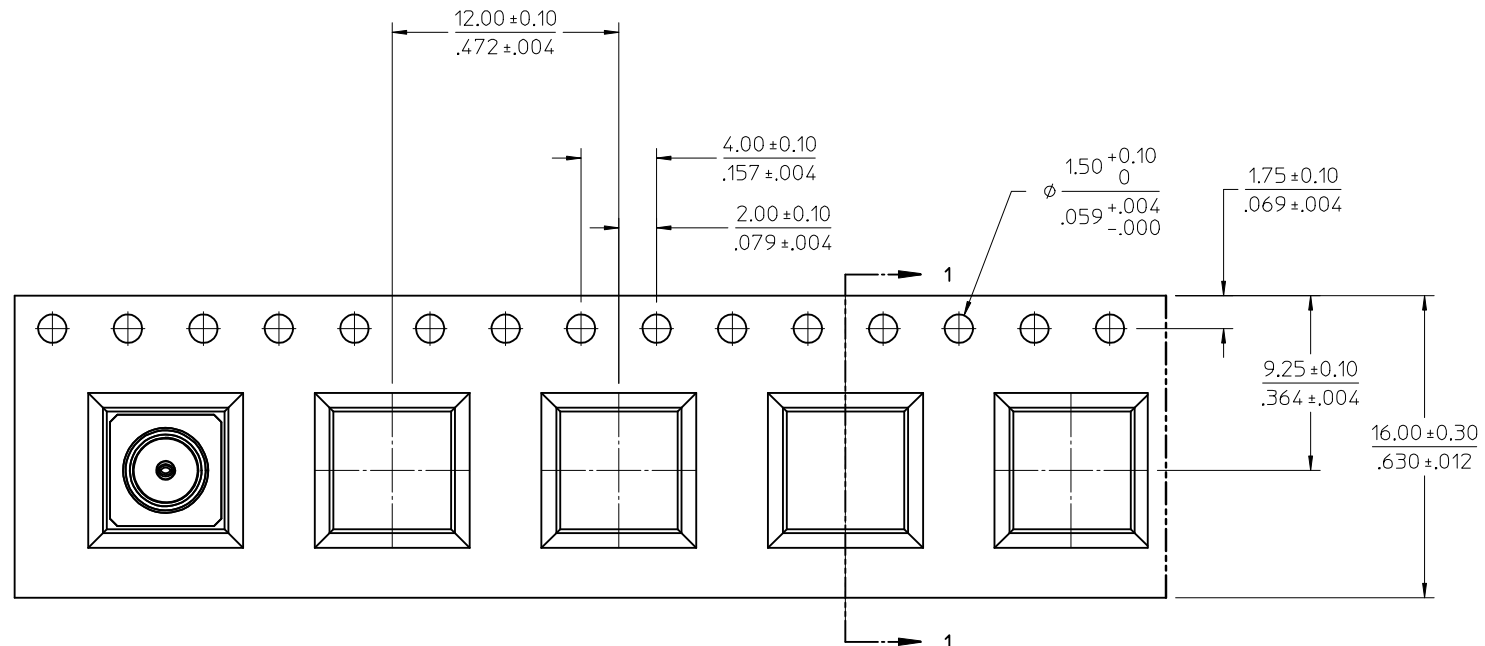
73415-1637	SEE TABLE	TAPE ANS REEL (SPQ 800 PCS) WITHOUT KAPTON TAPE OF 73415-1630
73415-1636	SEE TABLE	TAPE ANS REEL (SPQ 800 PCS) WITH KAPTON TAPE OF 73415-1630
73415-1635	SEE TABLE	P/N 73415-1631, ONE PIECE PER BAG
73415-1634	SEE TABLE	P/N 73415-1630, ONE PIECE PER BAG
73415-1633	SEE TABLE	TAPE ANS REEL (SPQ 800 PCS) WITHOUT KAPTON TAPE OF 73415-1631
73415-1632	SEE TABLE	TAPE ANS REEL (SPQ 800 PCS) WITH KAPTON TAPE OF 73415-1631
73415-1631	SEE TABLE	INDIVIDUAL, 100 PIECES PER BAG
73415-1630	SEE TABLE	INDIVIDUAL, 100 PIECES PER BAG
PART NO.	PLATING.	PACKAGING

CONTACT	GOLD (10μ-in MIN)	GOLD (30μ-in MIN)
BODY	TRI-M3 (80μ-in MIN)	GOLD (10μ-in MIN)
PART NO.	73415-1630	73415-1631

CHG: SEE SHEET 1 IEC NO: URF2017-0078 DRW:BBHARADWAJ.D 2016/08/10 CHKD:AZR 2016/08/10 APPR:AROBERTSON 2016/08/11	DESCRIPTION REV:	QUALITY SYMBOLS 	GENERAL TOLERANCES (UNLESS SPECIFIED) <table border="1"> <tr> <td></td> <td>mm</td> <td>INCH</td> </tr> <tr> <td>4 PLACES</td> <td>± .---</td> <td>± .---</td> </tr> <tr> <td>3 PLACES</td> <td>± .---</td> <td>± .---</td> </tr> <tr> <td>2 PLACES</td> <td>± .---</td> <td>± .---</td> </tr> <tr> <td>1 PLACE</td> <td>± .---</td> <td>± .---</td> </tr> <tr> <td>0 PLACE</td> <td>±</td> <td>±</td> </tr> </table>		mm	INCH	4 PLACES	± .---	± .---	3 PLACES	± .---	± .---	2 PLACES	± .---	± .---	1 PLACE	± .---	± .---	0 PLACE	±	±	DIMENSION STYLE MM/IN DRAWN BY DATE TEF 2000/01/05 CHECKED BY DATE TEF 2000/01/05 APPROVED BY DATE GMH 2000/01/05	SCALE DESIGN UNITS METRIC	THIRD ANGLE PROJECTION	TITLE MCX JACK,PCB,SMT,75 OHMS MCX-J/PCB
			mm	INCH																					
		4 PLACES	± .---	± .---																					
		3 PLACES	± .---	± .---																					
2 PLACES	± .---	± .---																							
1 PLACE	± .---	± .---																							
0 PLACE	±	±																							
ANGULAR ± 2 °		DRAFT WHERE APPLICABLE MUST REMAIN WITHIN DIMENSIONS		MATERIAL NO. SEE SHEET 1		DOCUMENT NO. SD-73415-163		SHEET NO. 2 OF 4																	
THIS DRAWING CONTAINS INFORMATION THAT IS PROPRIETARY TO MOLEX INCORPORATED AND SHOULD NOT BE USED WITHOUT WRITTEN PERMISSION																									
SIZE																									



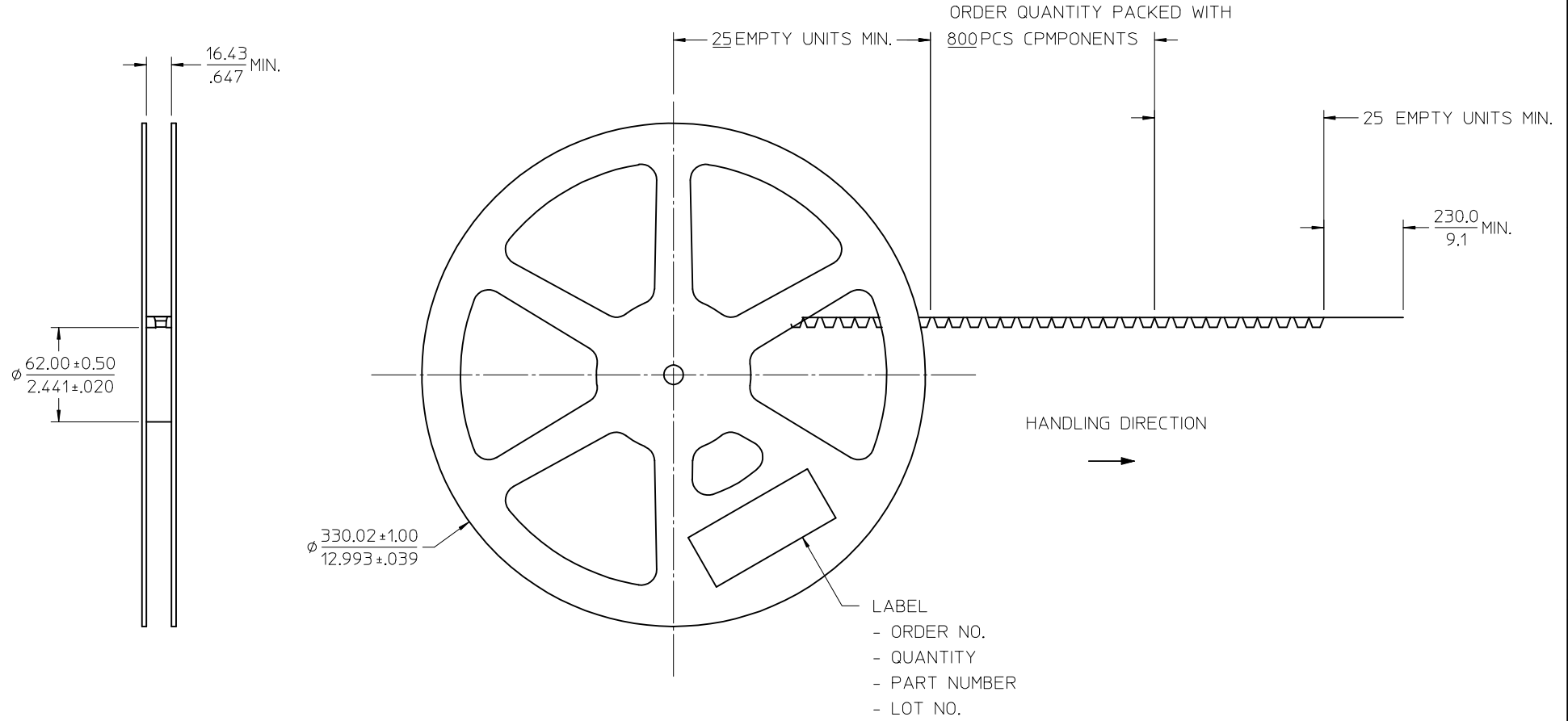
Section 1-1



Partial1

CHG: SEE SHEET 1 EEC NO: URF2017-0078 DRWN:BBHARADWAJD 2016/08/10 CHKD:AZR 2016/08/10 APPR:AROBERTSON 2016/08/11	QUALITY SYMBOLS	GENERAL TOLERANCES (UNLESS SPECIFIED)	DIMENSION STYLE	SCALE	DESIGN UNITS	THIRD ANGLE PROJECTION
	▽=0	mm INCH	MM/IN	METRIC	⊙	
	▽=0	4 PLACES ± --- ± ---	DRAWN BY DATE	TITLE	MCX JACK,PCB,SMT,75 OHMS	
	▽=0	3 PLACES ± --- ± ---	CHECKED BY DATE	MCX-J/PCB		
		1 PLACE ± --- ± ---	TEF 2000/01/05	molex DOCUMENT NO. SD-73415-163 SHEET NO. 3 OF 4		
		0 PLACE ± --- ± ---	APPROVED BY DATE			
		ANGULAR ± 2 °	GMH 2000/01/05	SEE SHEET 1		
REV: A6	DESCRIPTION	DRAFT WHERE APPLICABLE MUST REMAIN WITHIN DIMENSIONS	MATERIAL NO.	THIS DRAWING CONTAINS INFORMATION THAT IS PROPRIETARY TO MOLEX INCORPORATED AND SHOULD NOT BE USED WITHOUT WRITTEN PERMISSION		

PART NO. 73415-1636
 13" REEL SIZE FOR 800 PIECES



- LABEL
- ORDER NO.
 - QUANTITY
 - PART NUMBER
 - LOT NO.

CHG: SEE SHEET 1 EC NO: URF2017-0078 DRWN:BBHARADWAJ.D 2016/08/10 CHKD:AZR 2016/08/10 APPR:AROBERTSON 2016/08/11	QUALITY SYMBOLS ▽=0 ▽=0 ▽=0	GENERAL TOLERANCES (UNLESS SPECIFIED)		DIMENSION STYLE MM/IN		SCALE	DESIGN UNITS METRIC	THIRD ANGLE PROJECTION	
		4 PLACES ± --- ± ---	mm INCH	DRAWN BY TEF	DATE 2000/01/05	TITLE MCX JACK,PCB,SMT,75 OHMS MCX-J/PCB			
		3 PLACES ± --- ± ---		CHECKED BY TEF	DATE 2000/01/05				
		2 PLACES ± --- ± ---		APPROVED BY GMH	DATE 2000/01/05				
1 PLACE ± --- ± ---		MATERIAL NO. SEE SHEET 1		DOCUMENT NO. SD-73415-163	SHEET NO. 4 OF 4				
0 PLACE ± --- ± ---		ANGULAR ± 2 °		THIS DRAWING CONTAINS INFORMATION THAT IS PROPRIETARY TO MOLEX INCORPORATED AND SHOULD NOT BE USED WITHOUT WRITTEN PERMISSION					
DRAFT WHERE APPLICABLE MUST REMAIN WITHIN DIMENSIONS									