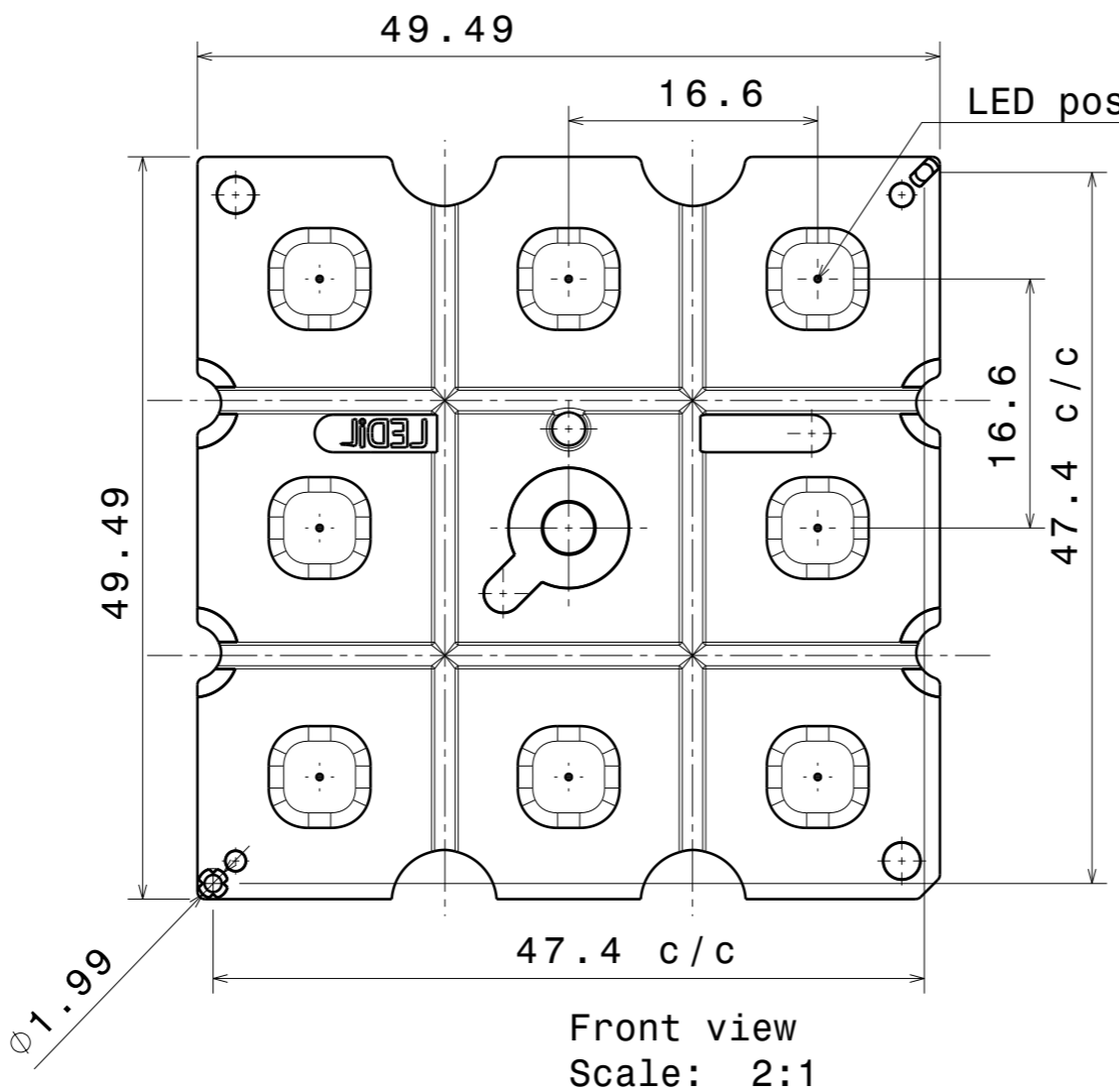
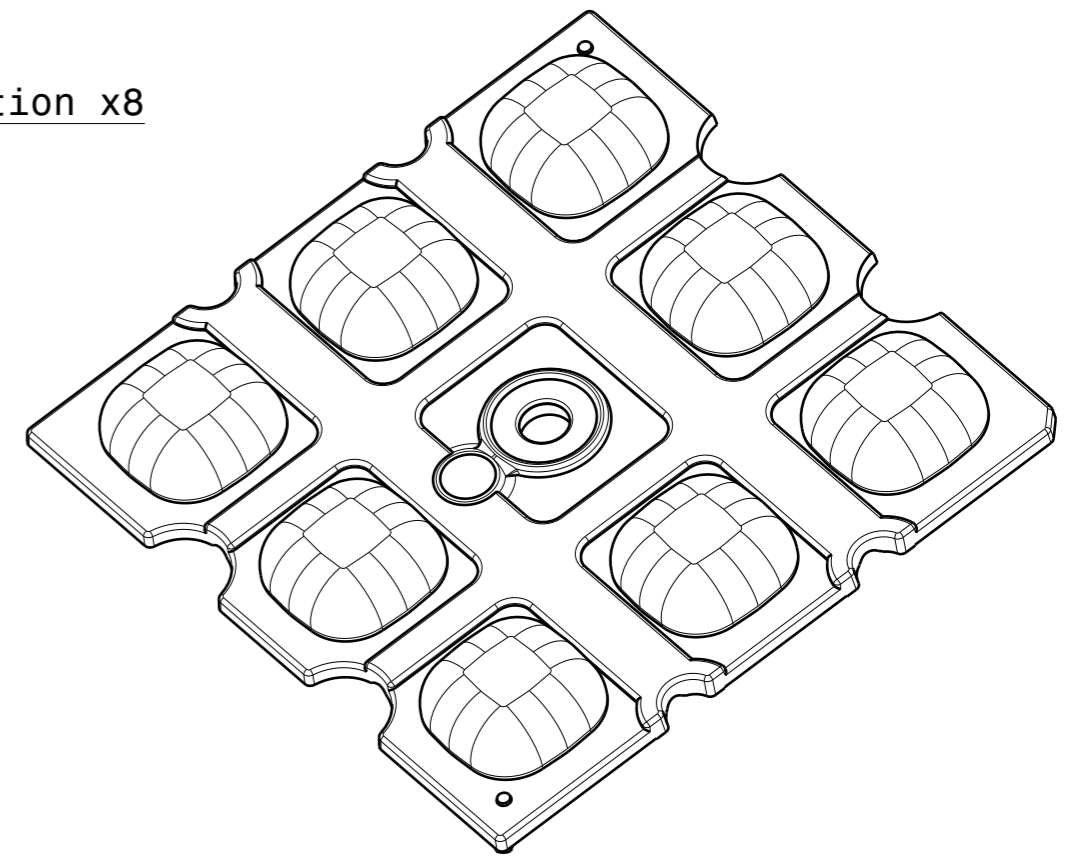


Right view
Scale: 2:1



Front view
Scale: 2:1

LED position x8



Isometric view
Scale: 2:1

Tolerances if not otherwise shown
According to DIN ISO 2768-1
Linear measures:
Up to 30mm class M, otherwise class C.
According to DIN ISO 2768-2
Form and position: class L

LEDiL	LediL Oy		
	Salorankatu 10 FIN 24240 SALO Finland		

THIRD ANGLE PROJECTION:

DRAWING TITLE
Datasheet_STRADELLA-8-HV-CY

This drawing is the property of LEDiL Oy. It may not be reproduced, copied or communicated without a written agreement with LEDiL Oy.

SIZE	PART NUMBER		
A3	C15920		

SCALE	1:1	WEIGHT	g	SHEET	1/1
--------------	------------	---------------	----------	--------------	------------