

FEATURES:

- \* SADDLES ROTATE TO ANY ANGLE AND MAINTAIN SEPARATION BETWEEN CROSSING BUNDLES
- PROVIDES 0.93" SPACING BETWEEN 2 BUNDLES
- EXTENDED SADDLE SURFACE MINIMIZES PINCHING OR PENETRATION INTO LOOPED BUNDLES AND ALLOWS A VARIETY OF DIAMETERS CRADLED UP TO 6"
- RUGGED HEAVY DUTY DESIGN & MATERIAL
- ACCEPTS MOST STANDARD CABLE TIES UP TO 1/2" WIDE

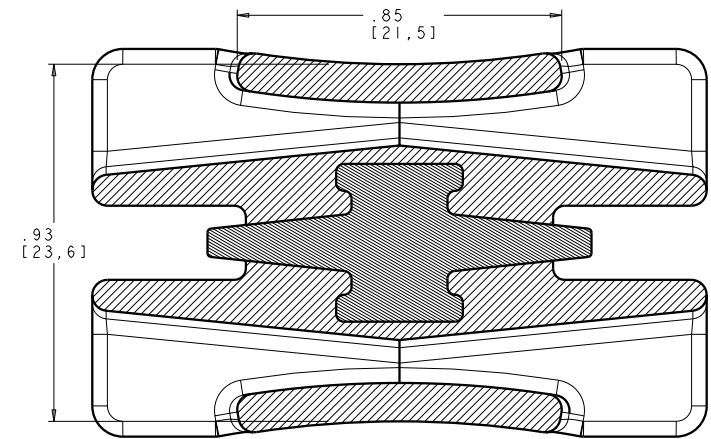
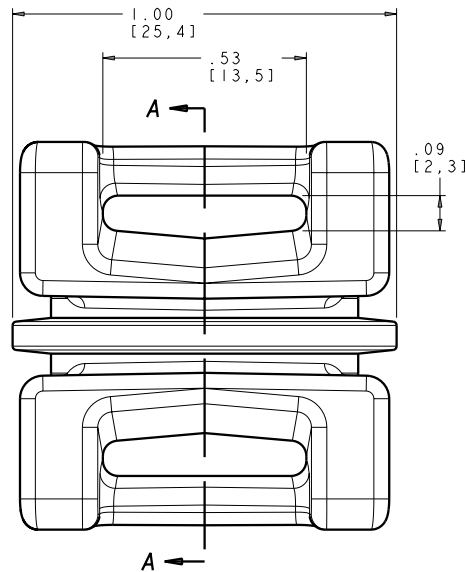
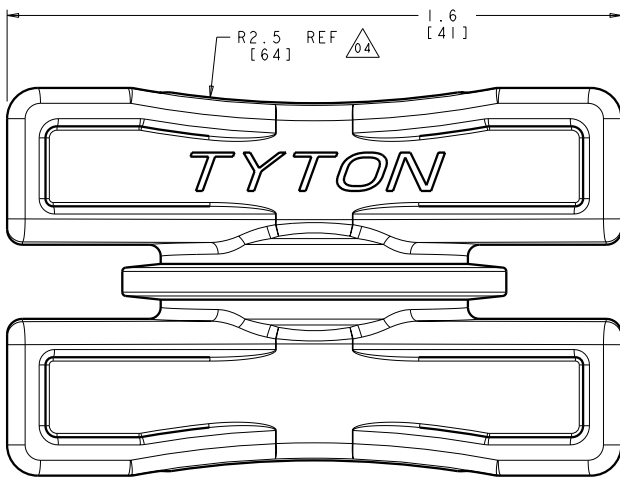
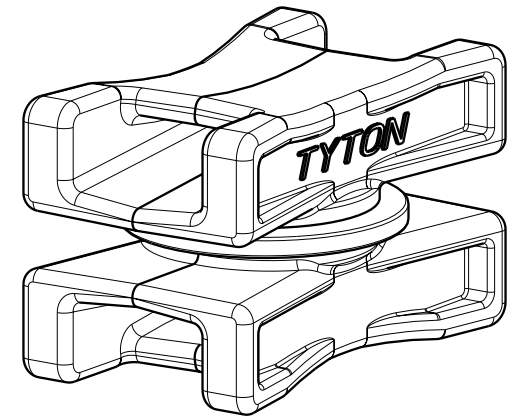
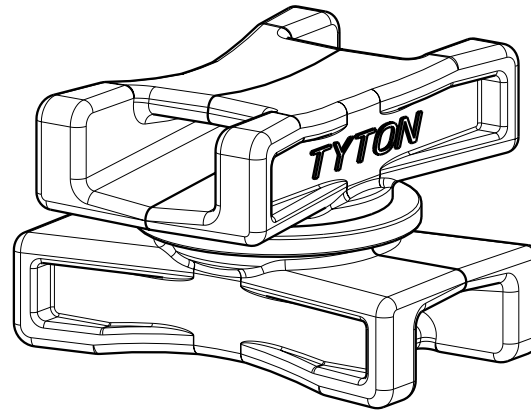
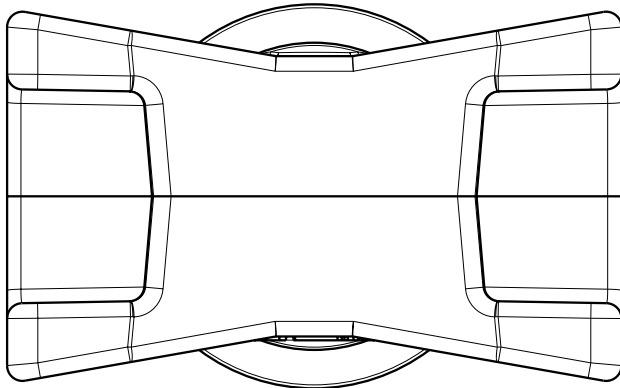
04

\* ROTATED

SCALE 3/2

AS MOLDED

SCALE 3/2



SECTION A-A

INVENTORS

**HellermannTyton®**

ALL PROPRIETARY RIGHTS IN THE SUBJECT MATTER SHOWN ON THIS DRAWING ARE EXCLUSIVE PROPERTY OF HELLERMANNTYTON

name	date	city, state
G GEIGER	5/15/99	JACKSON, WI

REVISION

level	04
by	GGG
date	6/11/07
ECN #	010773
part level	C

DIMENSIONS

.XXXX=	±0.0050	[.127]
.XXX=	±0.010	[.254]
.XX=	±0.02	[.508]
.X=	±0.1	[2.54]
∠=	±0.5	
unless otherwise specified		
units	inches/[mm]	

PART

number	DSWS5	phase	PRODUCTION
name	DUAL SWIVEL SADDLE SPACER SIZE 5 INSERT MOLDED		
material	HEAT STABILIZED NYLON 6/6		

DRAWING

FORMAT	AH version J	CAD	PRO-E	scale	2/1
computer file number		previous number			
drawn	G GEIGER	checked		approved	
	6/2/99				
type	Customer		sheet 1 of 1		
number	MT2024022CST				